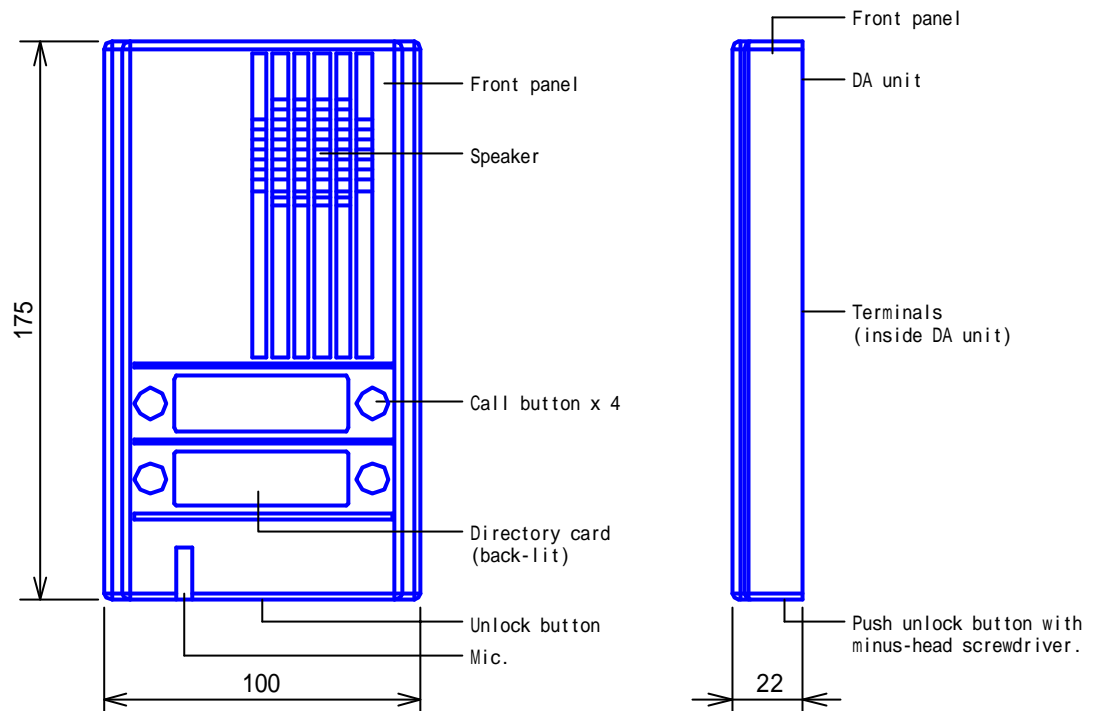
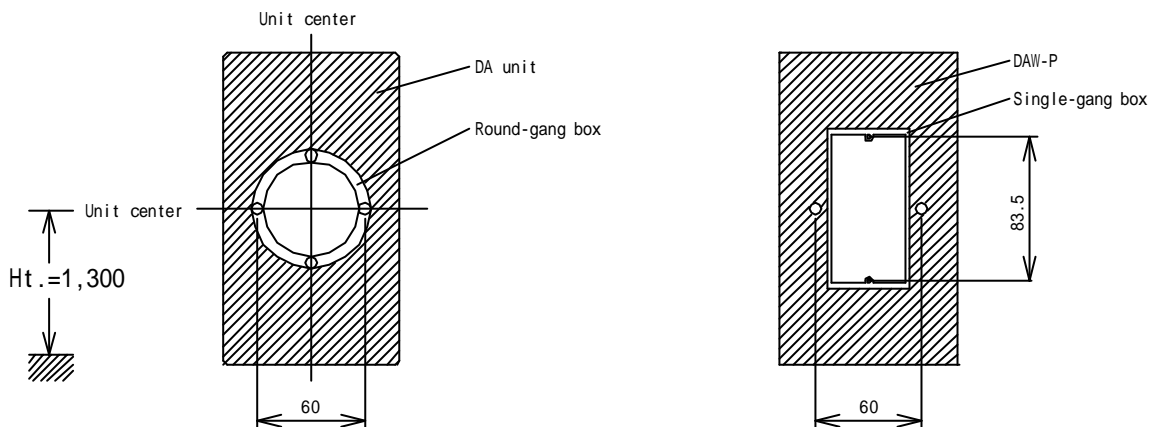


PRODUCT DRAWING



MOUNTING

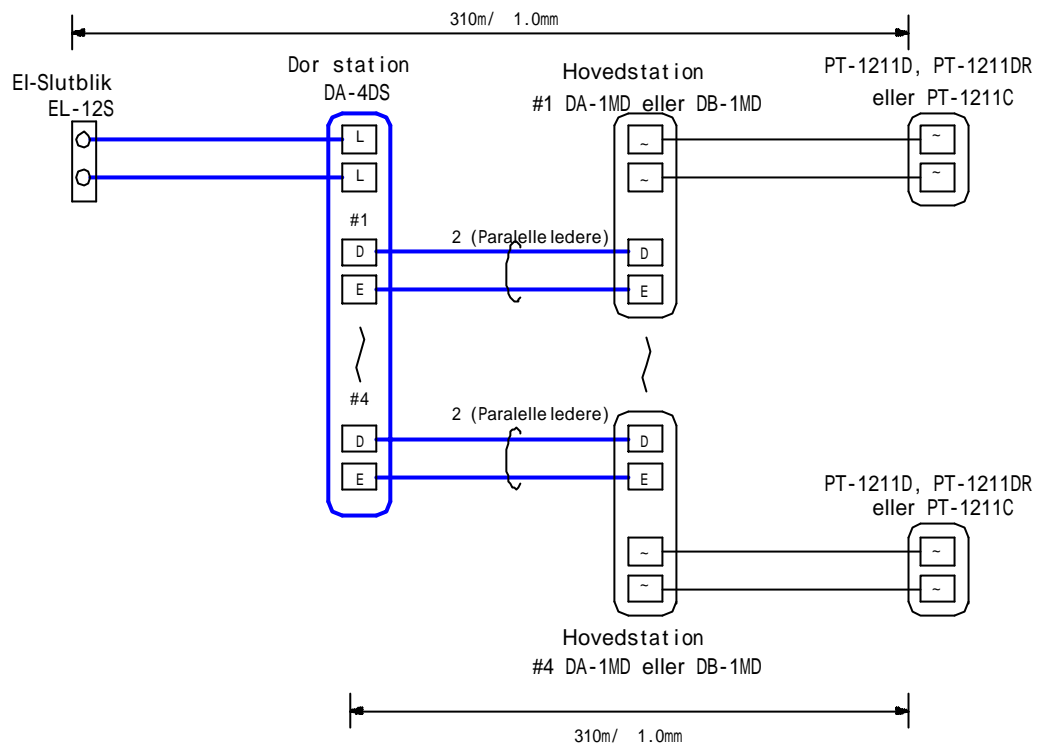


* Cable passes through Electrical box (round or single-gang box), or for surface cable run, through opening cut out on top or bottom of unit.

SPECIFICATIONS

Power source	AC 15V. Supplied from Master station		
Door release terminals	Resistance: more than (AC) 70 Voltage: AC 9.5 ~ 20V		
Housing	Front panel; Aluminum		
Mounting	Surface wall mount		
Electrical box	Round-gang box (60mm guided). Single-gang box (Requires DAW-P mounting plate.)		
Weight	270g(approx.)		
Unit color	Front panel; Silver		
DESCRIPTION	FIG. NAME	UNIT	DATE
DOOR STATION (4-call, DA Series)	PRODUCT/SPECIFICATIONS	mm	29 April, 2009
MODEL NO.	FIG.NO.	PAGE	REVISION
DA-4DS	52852-1-2	1/2	2
AIPHONE			

KABLINGS DIAGRAM



RESTRICTIONS

Dor automatik fra Aiphone EL-12S (12V AC 125mA, 12V DC 200mA) eller en lokal type (Modstand: mere end (AC) 70 , Voltage: AC 9.5 ~ 20V).

Dor automatik forsynes fra Dor station.

FUNCTIONS

Kald & kommunikation med svarstationer.

Last-pressed calling becomes effective until the Master station replies.

Dor Udlosning

(w/DA-1MD): Dor udlosning kun mulig under kommunikation

(w/DB indvendig station): Dor udlosning altid muligt

DOR STATION (4-kald, DA Series)

5 March, 2009

DA-4DS

52852-2-2

AIPHONE