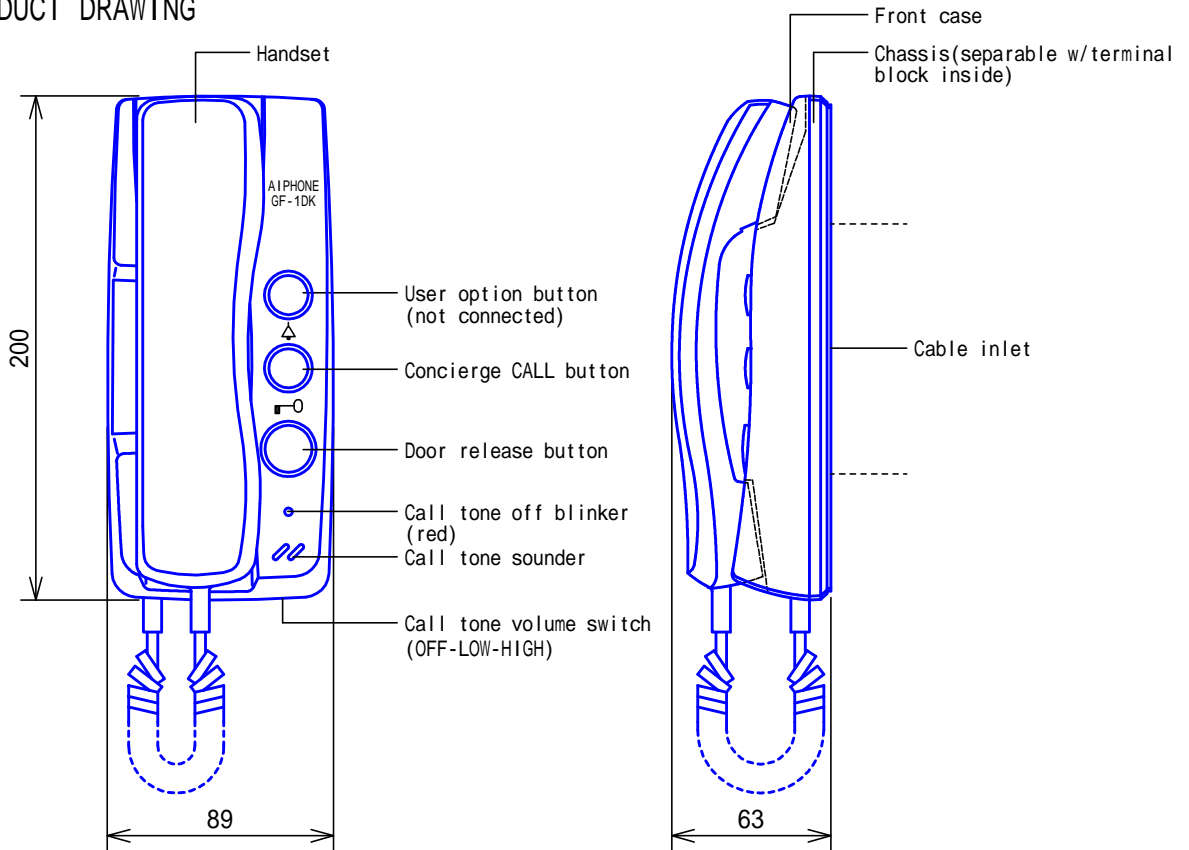
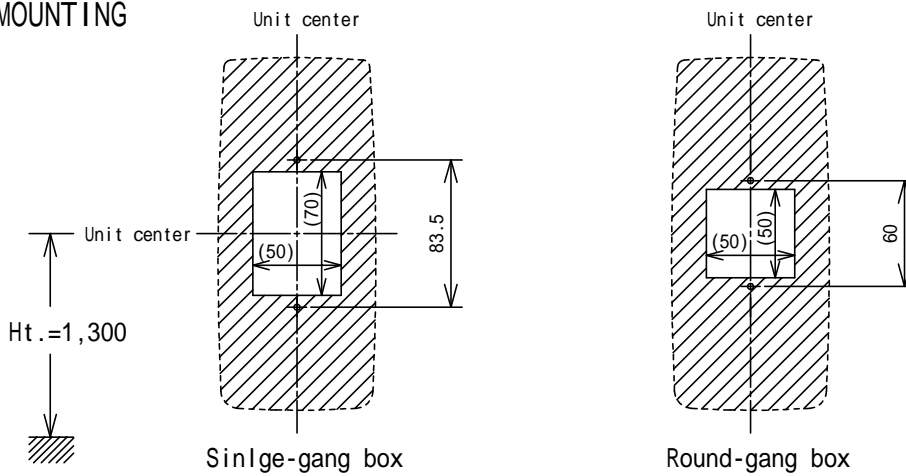


PRODUCT DRAWING



MOUNTING



50(W) x 70 or 50(H): Opening cut out on the wall.

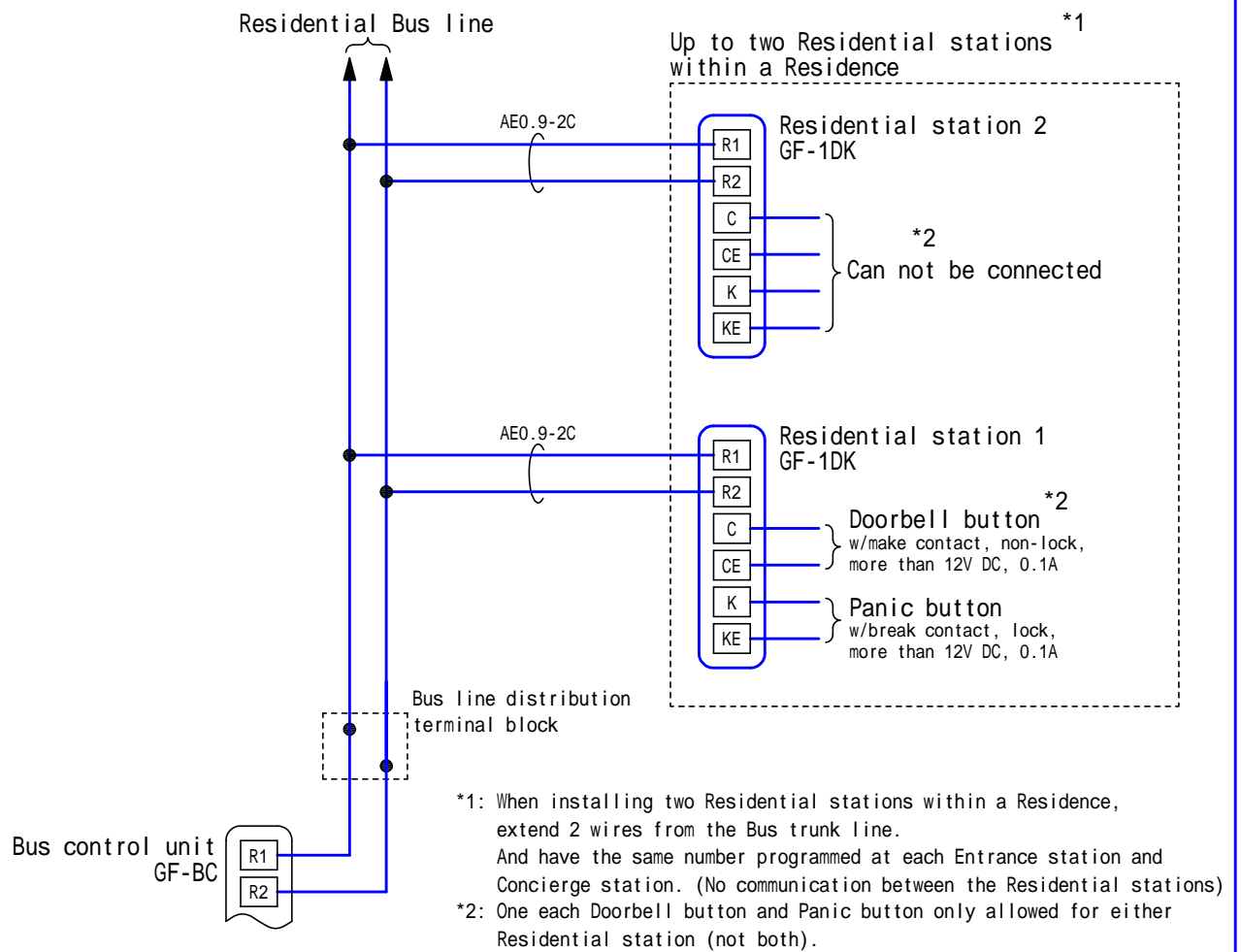
SPECIFICATIONS

Power source	Supplied from GF-BC
Type of communication	Simultaneous with handset
Capacity	Doorbell: One unit. Panic button: One unit
Mounting	Wall-mount
Electrical box	Single-gang box
Housing	Fire-retardant ABS plastic
Weight	370g(approx.)
Unit color	Snow white(10YR2/2 Munsell Approximation)

DESCRIPTION <b>RESIDENTIAL STATION</b>	FIG. NAME <b>PRODUCT/SPECIFICATIONS</b>	UNIT mm	DATE 23 June, 2003
MODEL NO. <b>GF-1DK</b>	FIG.NO. 52755311-1-2	PAGE 1/2	REVISION 1

**AIPHONE**

## WIRING DIAGRAM



Max. 300m away from the Bus control unit to the farthest Residential station

### RESTRICTIONS

Max. distance of 300m from the Bus control unit (GF-BC) to the farthest Residential station.

### FUNCTIONS

- Receiving a call and communication with Entrance station
  - Activating door release with Door release button
- Calling and communication with Concierge station, both ways
- Receiving a tone call from Doorbell at the door
- Receiving /transferring a Panic call activated by Panic button or by line-off trouble

### SETTING

Adjusting call tone volume (OFF - LOW - HIGH) with Call tone volume control  
(When the switch is put to OFF position, the tone-off blinker notifies.)

DESCRIPTION	FIG. NAME	UNIT	DATE
RESIDENTIAL STATION	WIRING/RESTR./FCN./SET.	mm	23 June, 2003
MODEL NO.	FIG.NO.	PAGE	REVISION
GF-1DK	52755311-2-2	2/2	1

**AIPHONE**