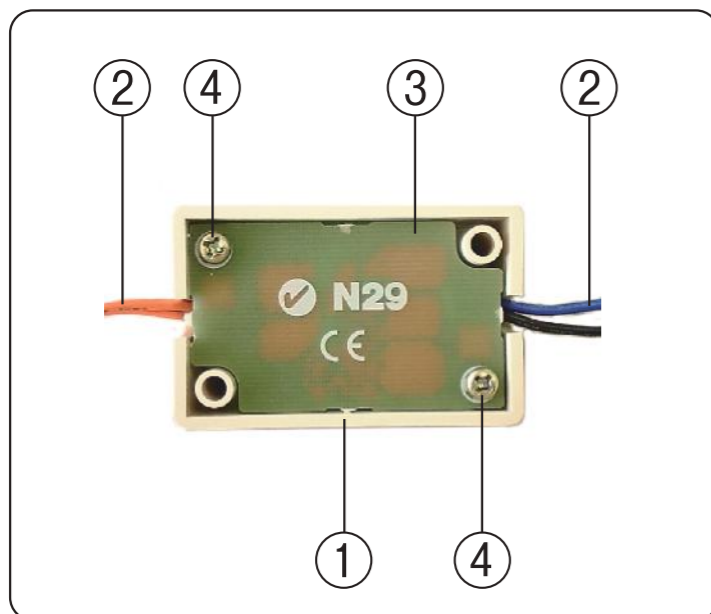
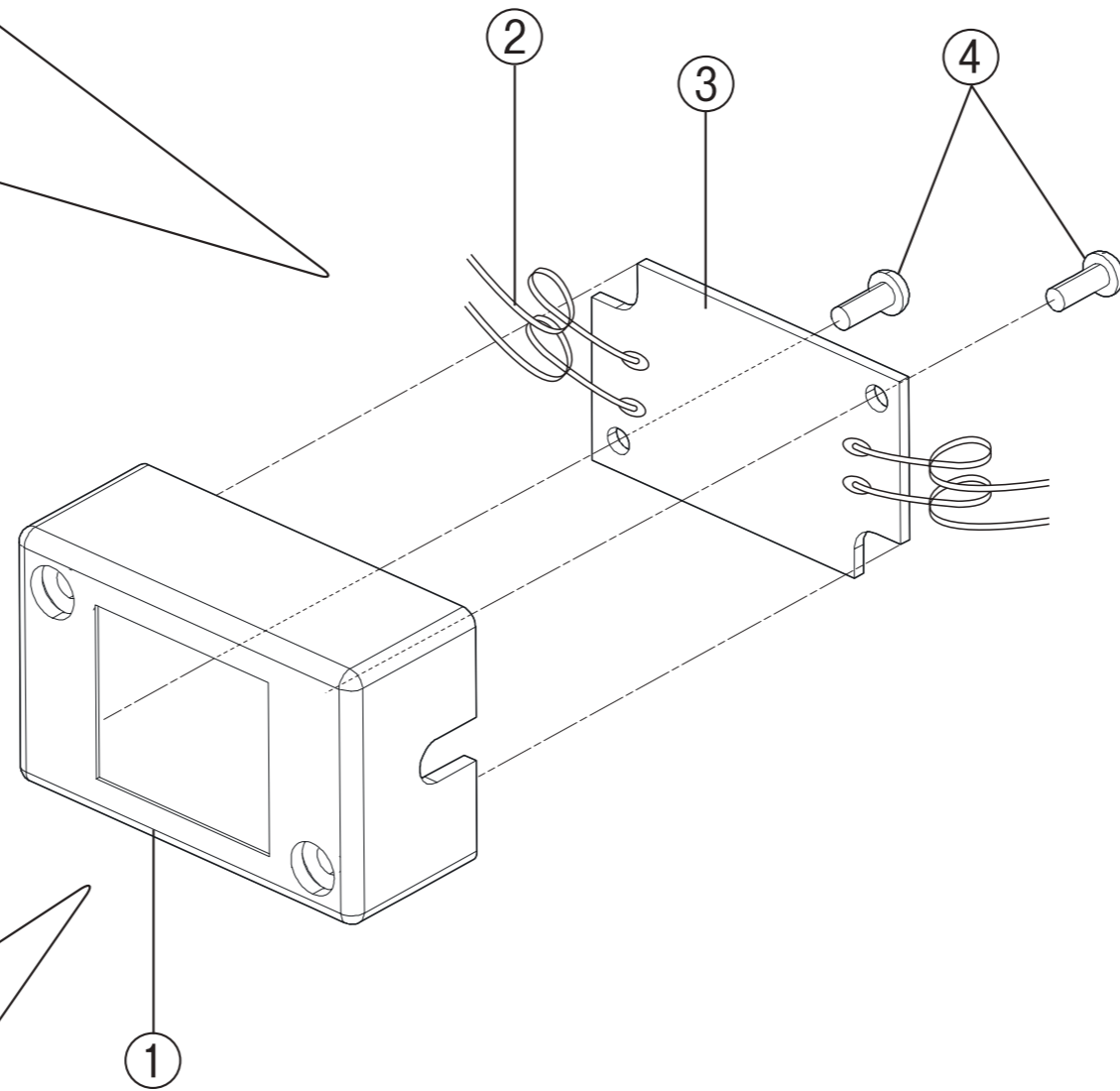
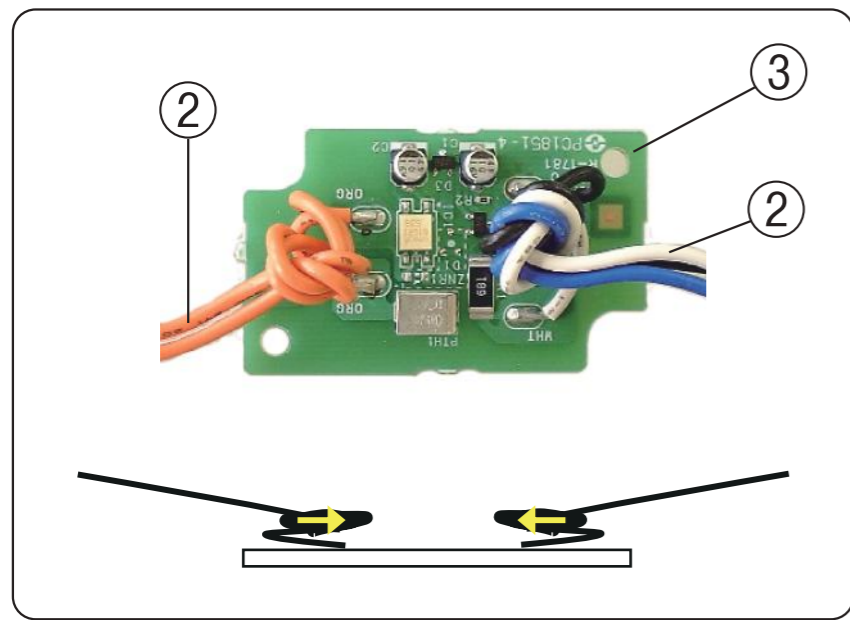
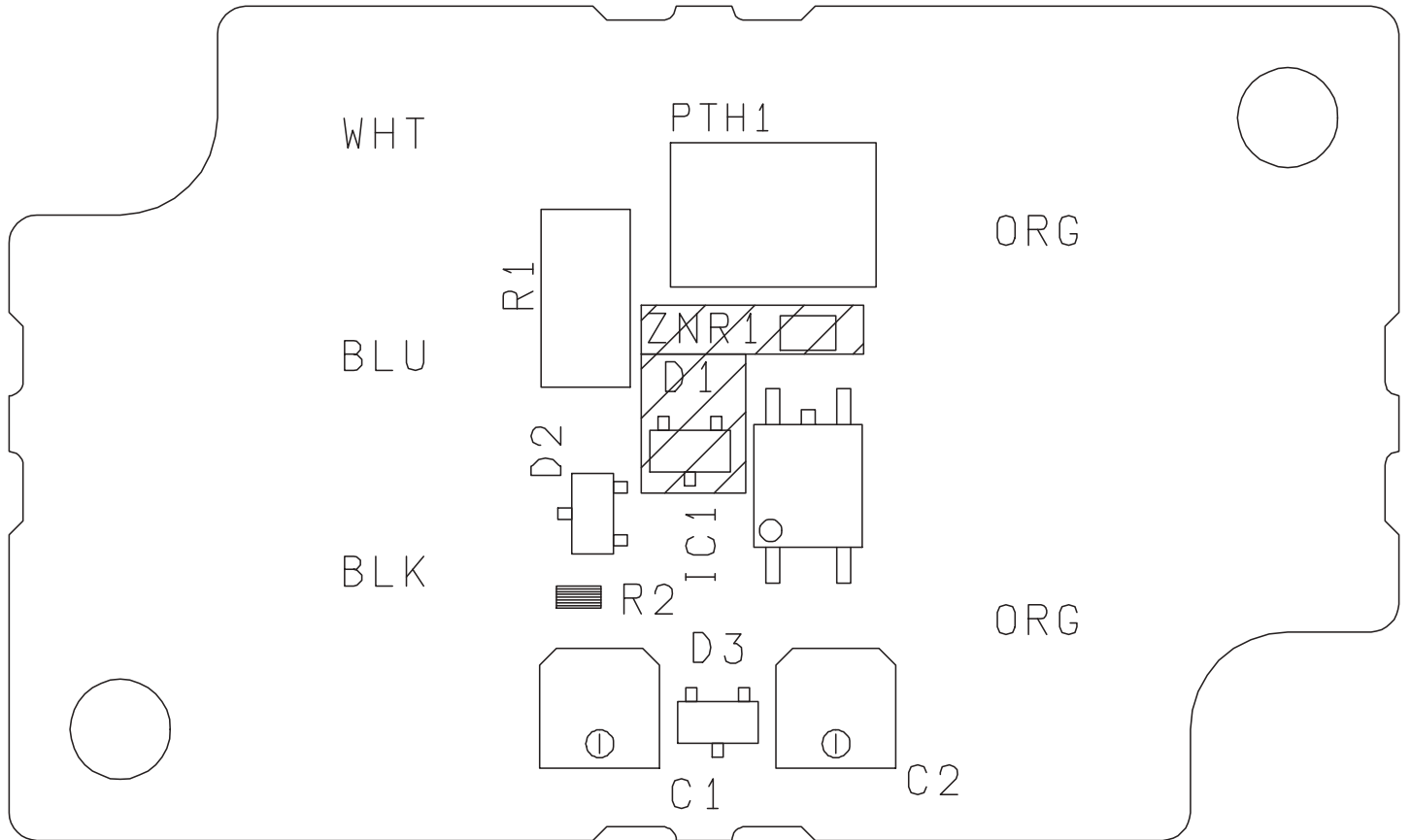


MODEL GH-RY ASSEMBLY LAYOUT & PARTS LIST



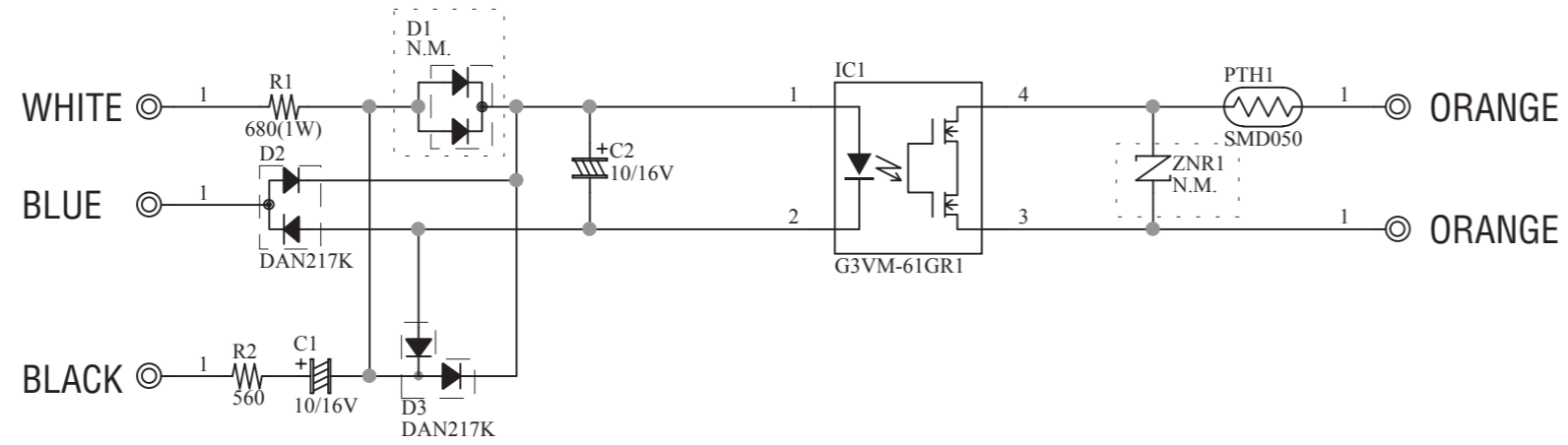
PARTS LIST

No.	PARTS	QUANTITY	CODE
	GH-RY.M	1	55895301
1	__RY-P BOX_GO_	1	22178605
2	__GH-RY ノットリ-ト_ G11	1	70500200
3	PC1851 GH-RY	1	90007500
4	FE3x8NA PTITE ZN_G1_	2	
5	__PS-24 フソク S_GO_	1	19018300
6	__UAR-8カ-ト>10/1_GO_	1	80881501



note.) It does not mount in a slash portlon.

GH-RY CIRCUIT DIAGRAM



PC1851

新規登録 H480519
05.10.05 S.Sato

Rev. Document

NAME
GH-RY Circuit Diagram

DESIGNED T.Shinozaki	TRACED T.Shinozaki
-------------------------	-----------------------

PROCESS

DATE
2005, 10, 05

FIG.NO.
2005118 ()

