

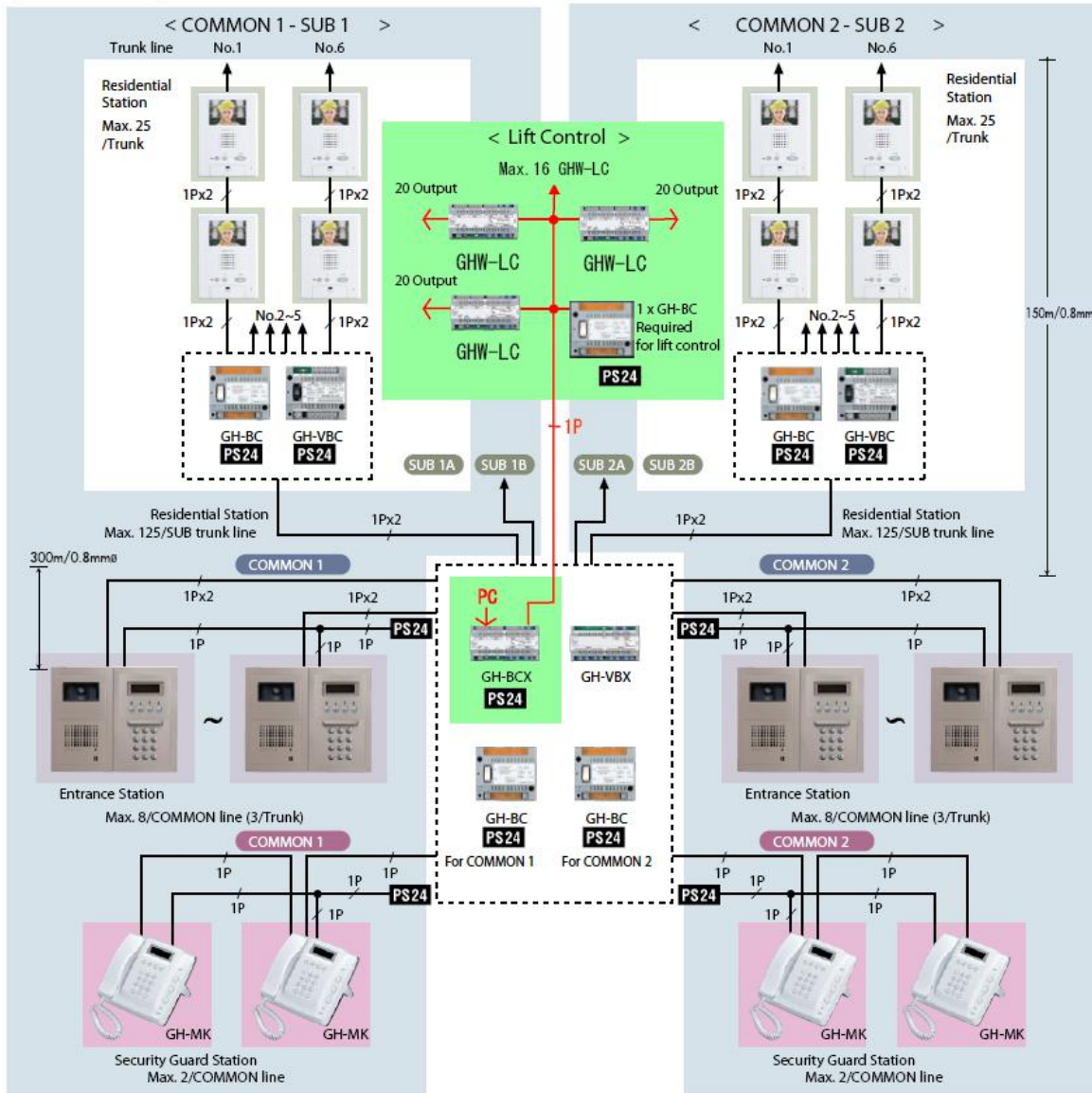


# GHW-LC

GH Lift Control Adaptor

# GHW-LC, GH Lift Control Adapter

## Lift Control System Layout



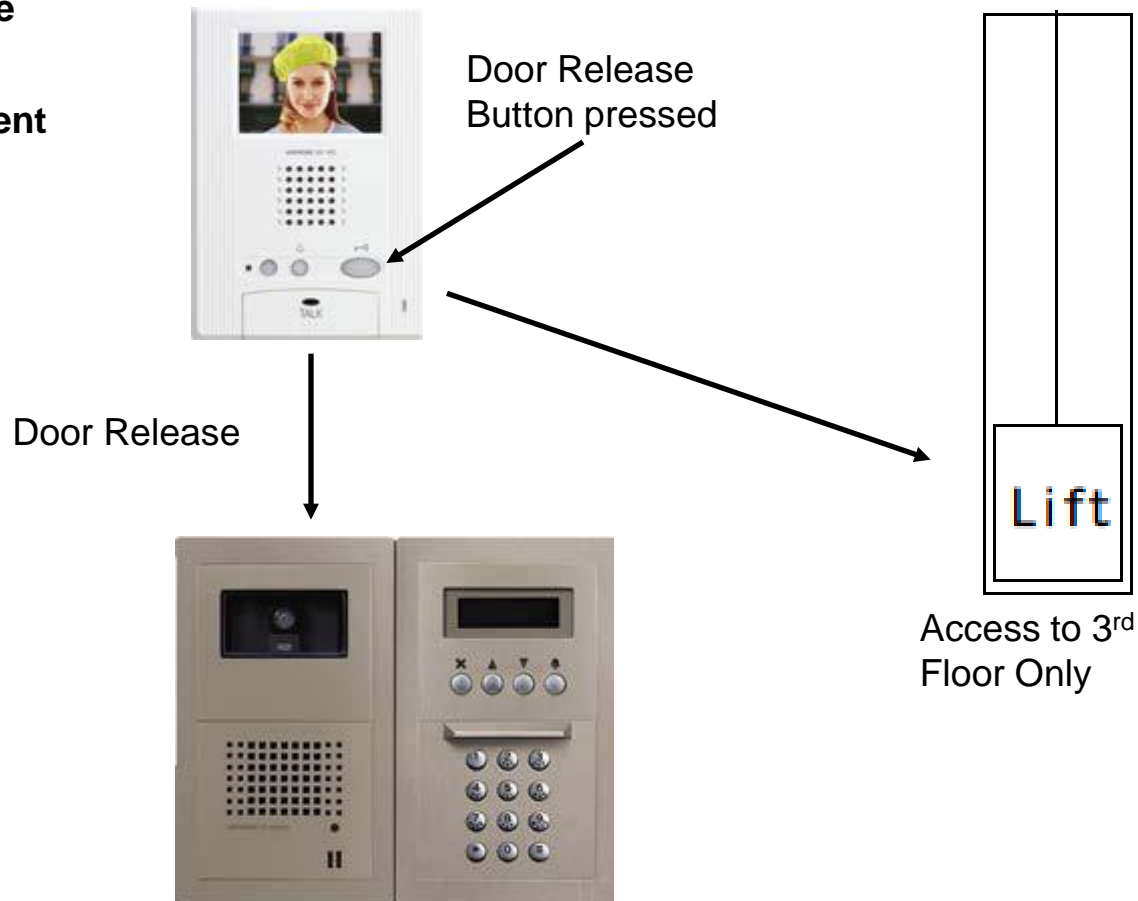
# GHW-LC, GH Lift Control Adapter

## Lift Control Basic Operation

GHW-LC output will trigger when Door Release button is pressed while the apartment station is in communication with the Entrance Station.

### Example

Level 3  
Apartment



# GHW-LC, GH Lift Control Adapter

## Setup program 1

Setup program software will be added to the GH System Programming tool after the GHW-LC release. The programming will be set from GH-BCX/A.

GHW-LC Output number can be selected for each Room number.

Max. 320 Outputs can be selected.

Output Timer can be set from 1Sec to 10Min, allows this adaptor to be used for any kind of lift or access system.

Connection	Out Put Type	Timer
1		Sec
2		Sec
3		Sec
4		Sec
5		Sec
6		Sec
7		Sec
8		Sec
9		Sec
10		Sec
11		Sec
12		Sec
13		Sec
14		Sec
15		Sec
16		Sec

Status			
1	5	9	13
2	6	10	14
3	7	11	15
4	8	12	16

Check

Presence

Make or Break Type

Selectable from 1 to 600 seconds

GHW-LC  
DIP Switch  
Number

# GHW-LC, GH Lift Control Adapter

## Setup program 2

Setup 2 will allow you to select the relay out put for each residence

Resident information to be listed

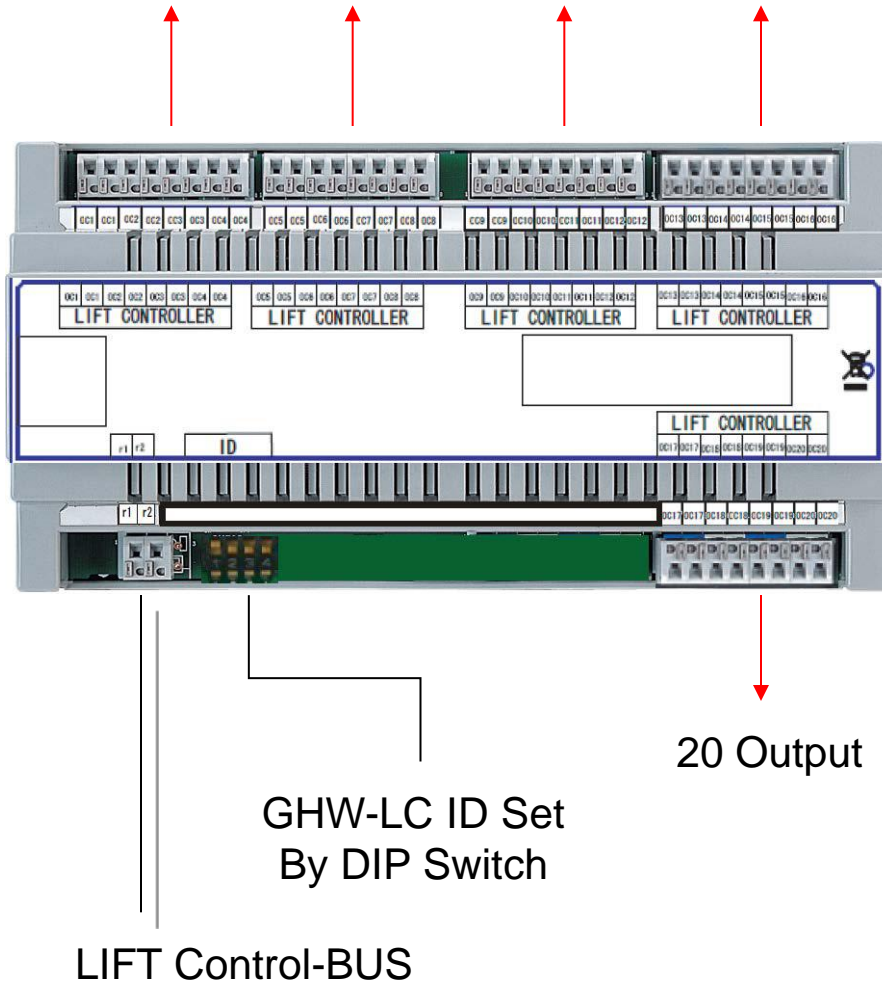
The screenshot shows the AIPHONE Ultimate GH System Programming MENU. At the top, there is a menu bar with options: Language, ID Code, Access Code, Resident, Timer, Greeting, Option 1, and Option 2. Below this is a table with columns for Key, Room No., Name, and 16 relay units (1-16). A red circle highlights the Resident column, and another red circle highlights the relay unit columns. A red arrow points from the Resident column to a text box on the left, and another red arrow points from the relay unit columns to a text box on the right.

Key	Room No.	Name	1	2	3	4	5	6	7	8	9	10	11	12	13	14	15	16
1																		
2																		
3																		
4																		
5																		
6																		
7																		
8																		
9																		
10																		
11																		
12																		
13																		
14																		
15																		
16																		
17																		
18																		

Select from relay unit Number 1 to 20

# GHW-LC, GH Lift Control Adapter

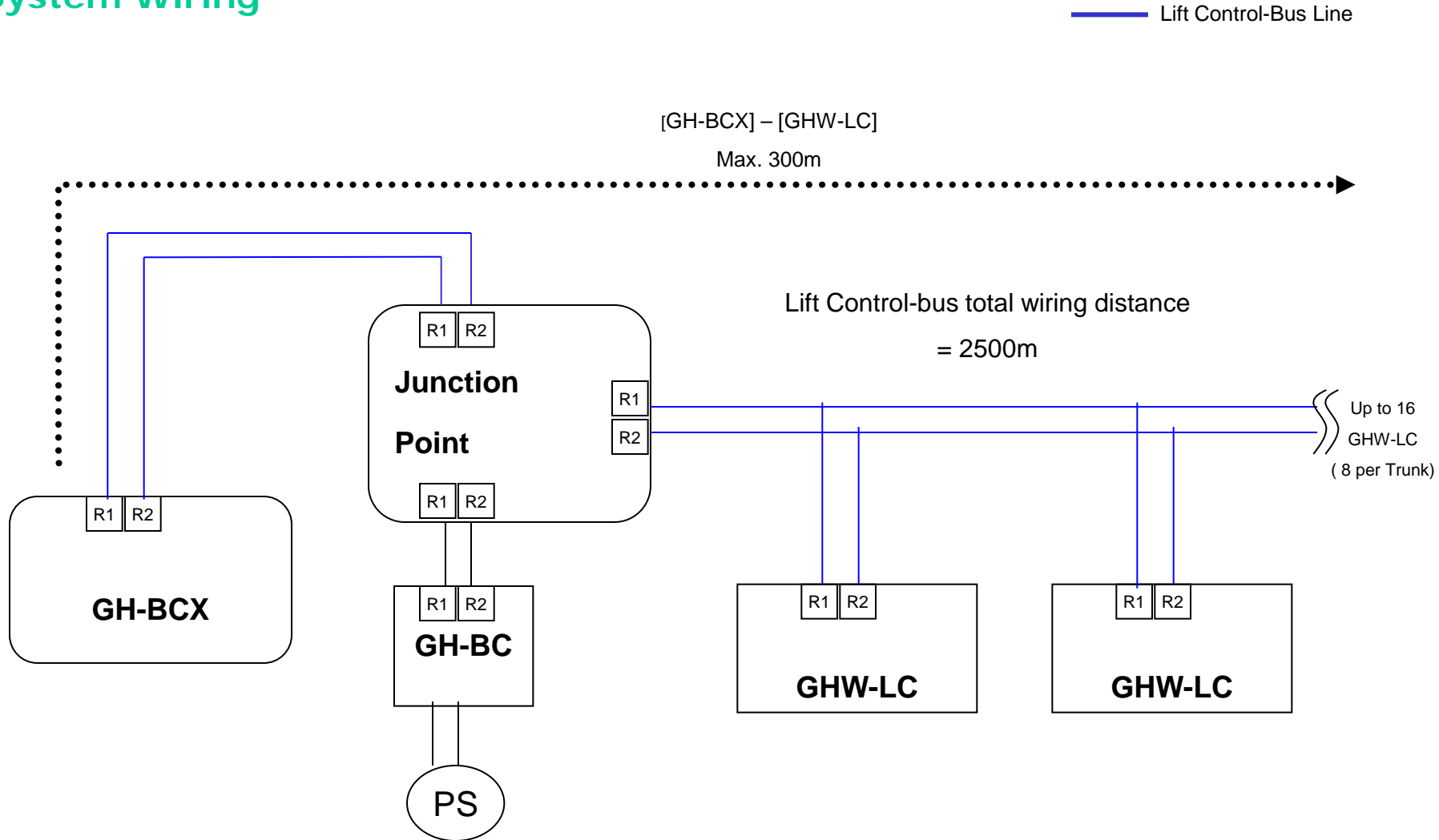
## Appearance, Features & Specifications



- Lift Control-Bus Total Wiring Distance = 2500m
- Max Distance From GH-BCX/A to GFW-LC = 300m
- Max. Number of Adapter = 16pcs ( 8pcs per Trunk )

# GHW-LC, GH Lift Control Adapter

## System Wiring



Each Lift Control BUS Line  
requires one GH-BC.

# GHW-LC, GH Lift Control Adapter

## Applications

Compound type



Condominium type





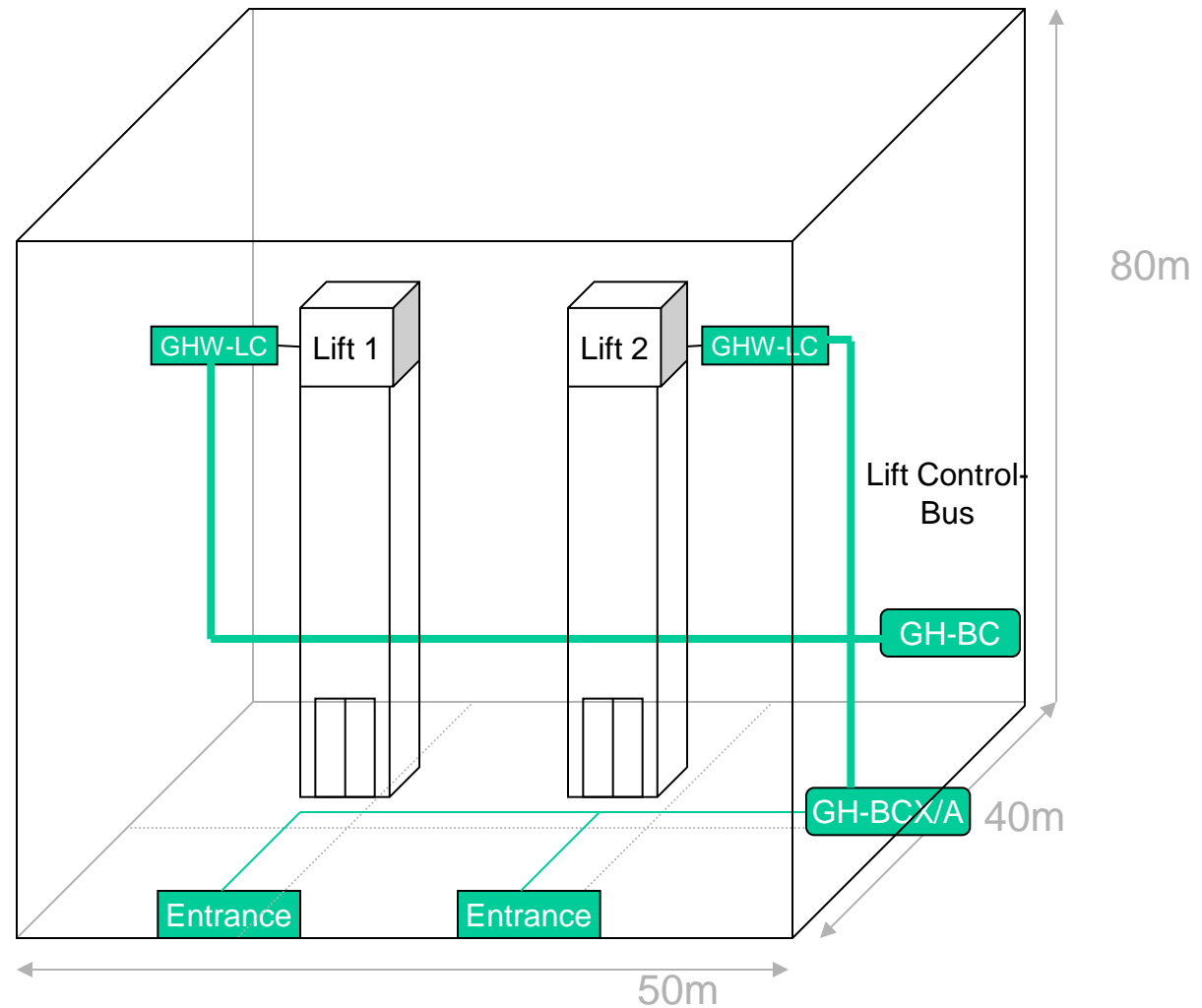
# GHW-LC, GH Lift Control Adapter

## Wiring Image for Condominium type

### Example 1:

- 2 Lifts
- 20 Floors

Needs to have two GHW-LC if the project requires different Lift Control.



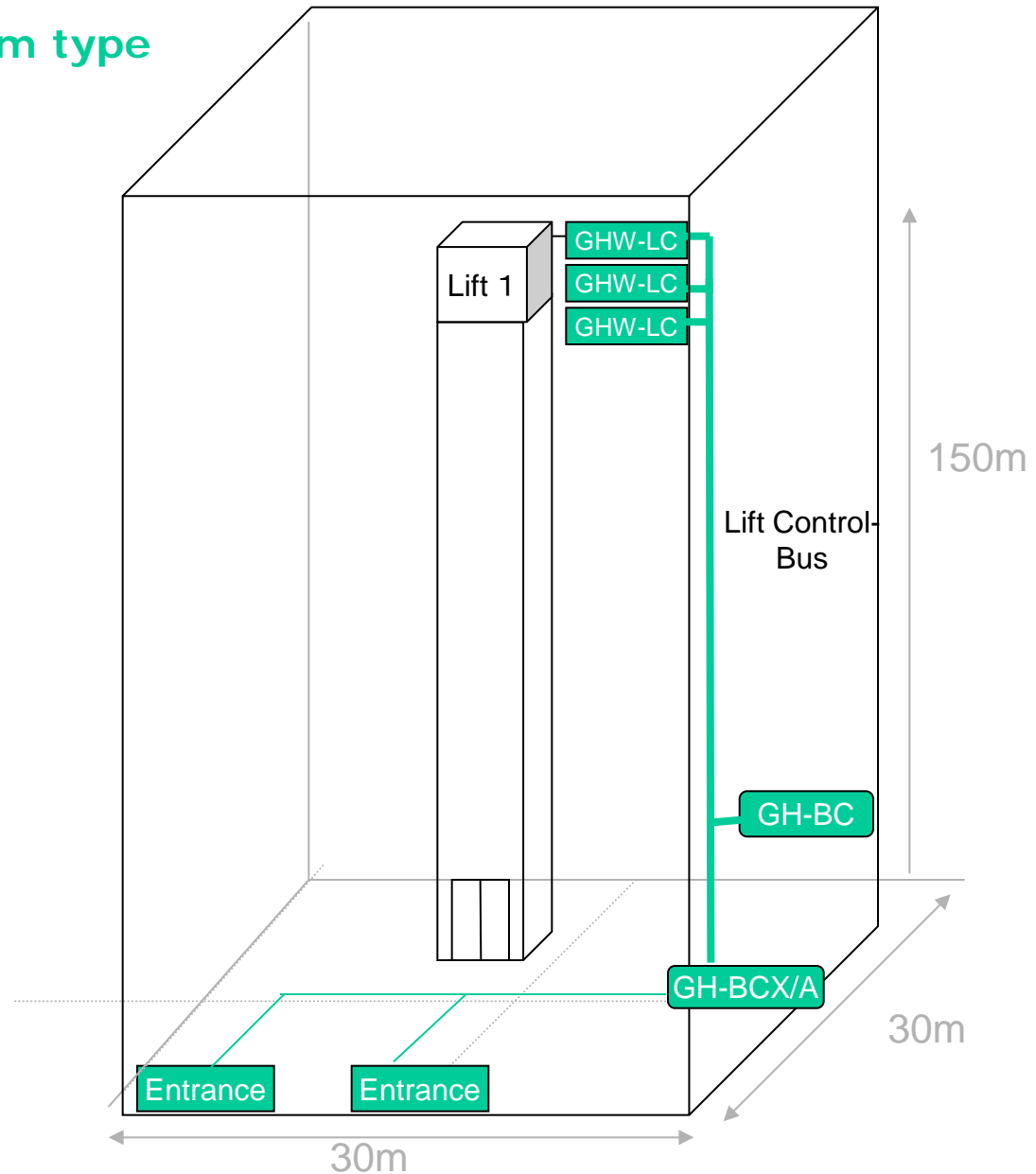
# GHW-LC, GH Lift Control Adapter

## Wiring Image for Condominium type

### Example 2:

- 1 Lifts
- 50 Floors

Needs to have multiple GHW-LC if the project requires more than 20 Floor on one lift.



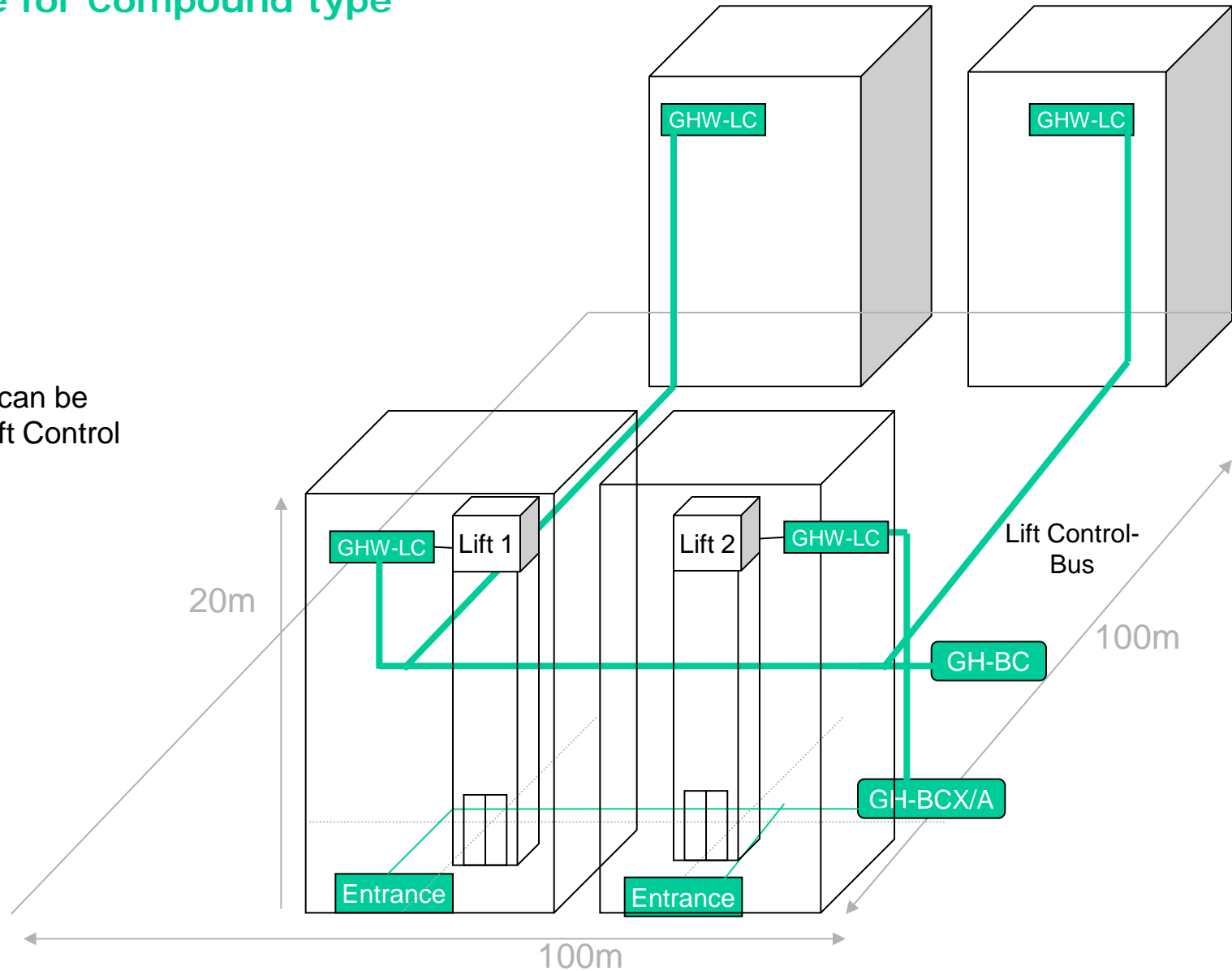
# GHW-LC, GH Lift Control Adapter

## Wiring Image for Compound type

### Example 1:

- 1 Lift Per tower
- 5 Floors
- 4 Towers

Multiple GHW-LC can be installed on one Lift Control Bus.



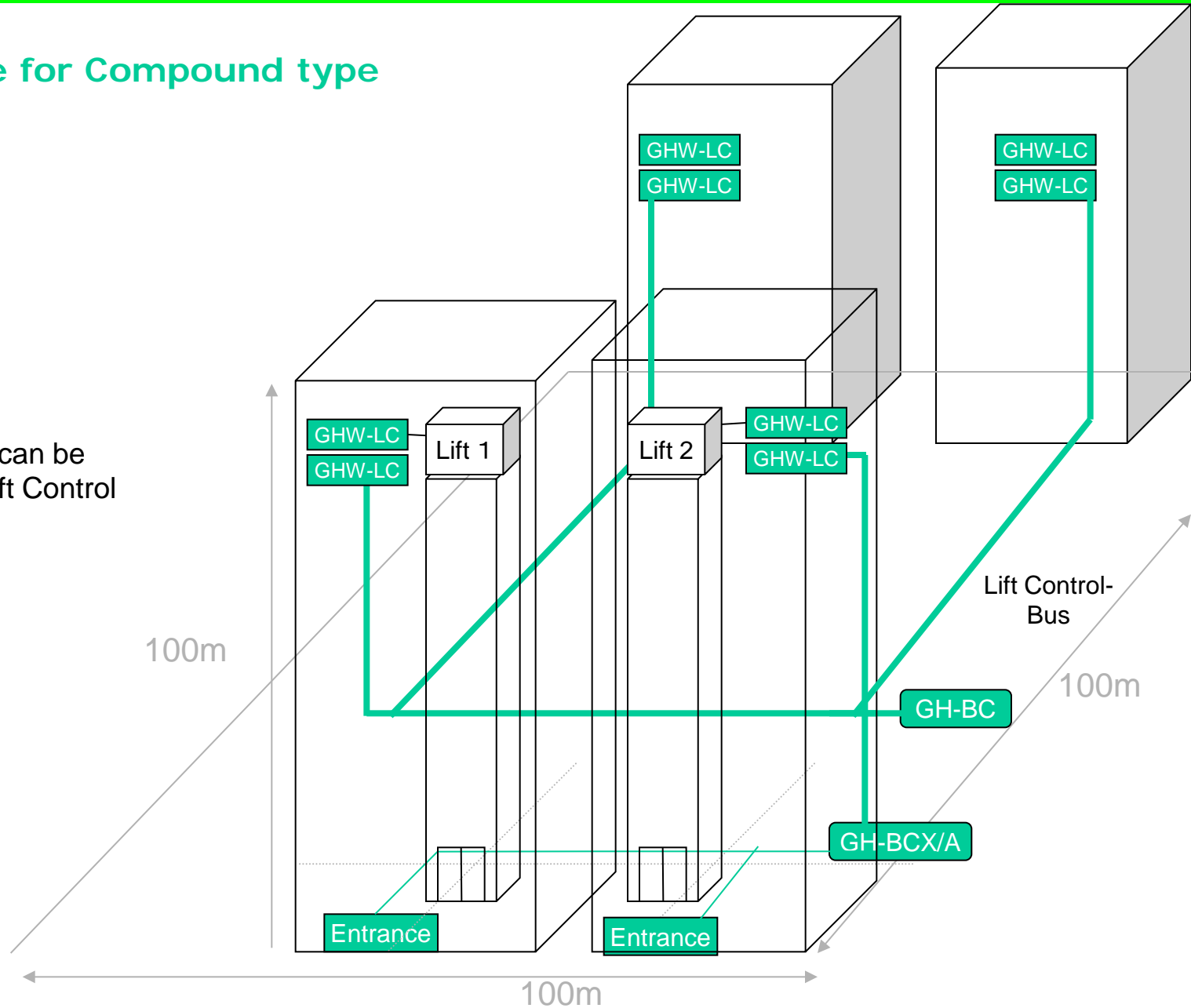
# GHW-LC, GH Lift Control Adapter

## Wiring Image for Compound type

### Example 2:

- 1 Lift Per tower
- 30 Floors
- 4 Towers

Multiple GHW-LC can be installed on one Lift Control Bus.



# GHW-LC, GH Lift Control Adapter

## Important Note:

- Each Lift Control BUS Line requires one GH-BC.
- Do not connect R1,R2 Audio Bus to the R1 R2 Terminal on GHW –LC.
- Polyethylene wire must be used to enable the maximum distance.
- Lift Interface Requires GH-BCX /A and GH-DA/A components.
- All GH-BCX and GH-DA production will stop after lift interface release.
- There will be no price difference between current version and /A models.

**We are committed  
to a mutual prosperity.**

