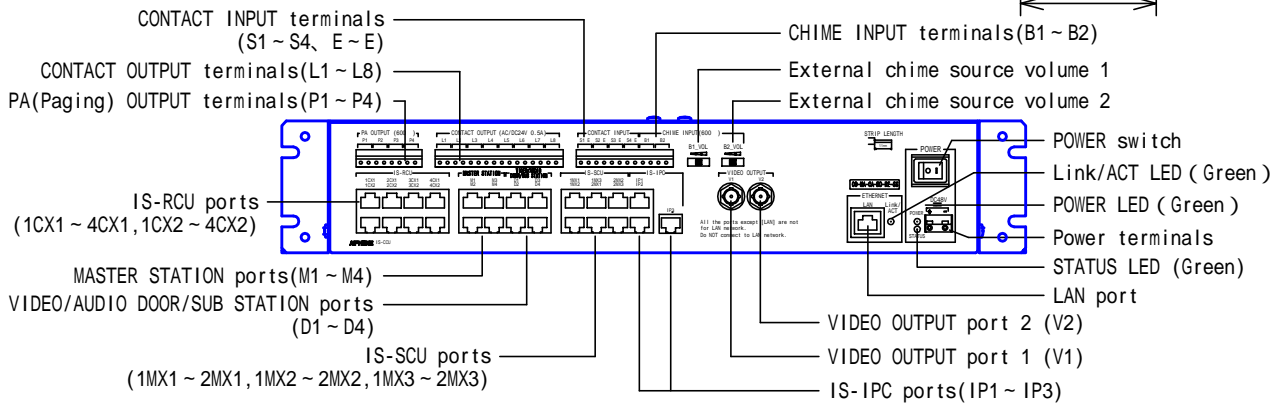
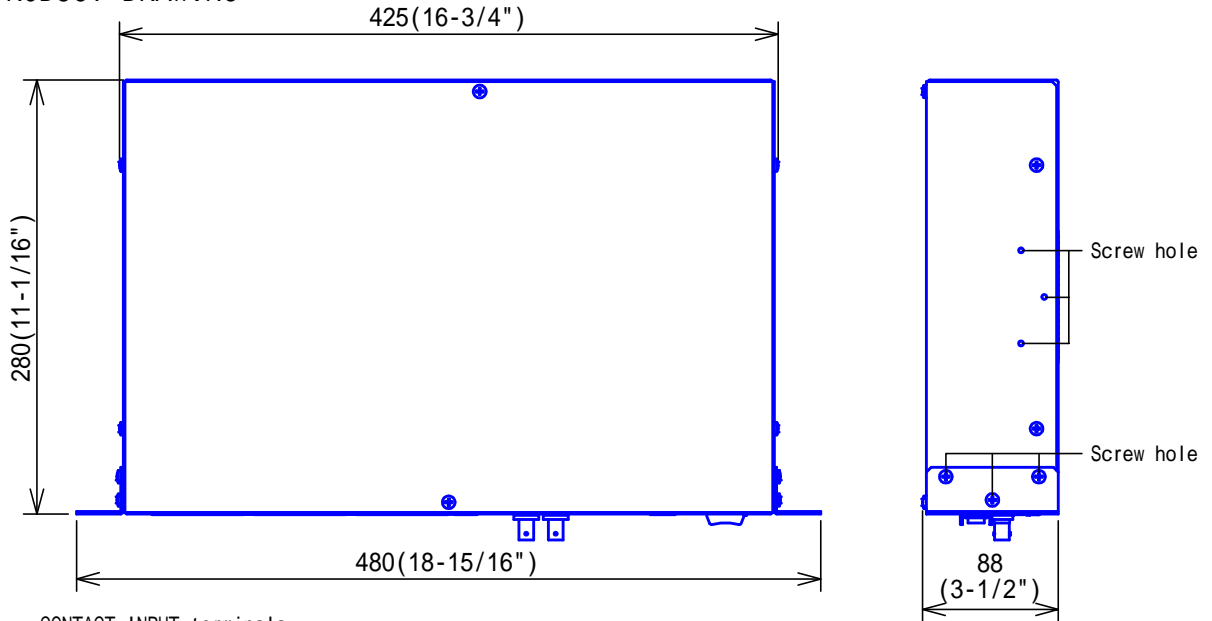


PRODUCT DRAWING



SPECIFICATIONS

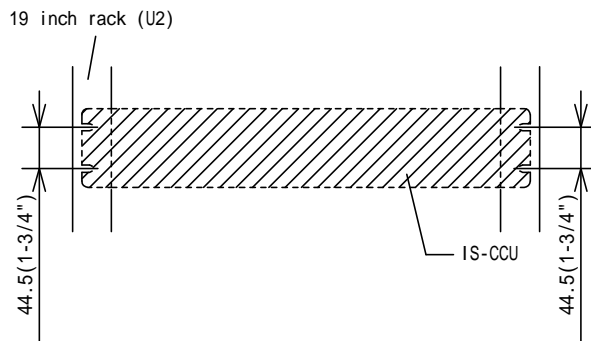
Power source	48V DC. (Supplied from the Power supply unit)
Current consumption	Max. 800mA
Talk channels · Video channels	Local system: 2 talk & 2 video channels, 1 chime
Master station(s)	Max. 4
Video door station(s)	} Max. 4
Audio door station(s)	
Room sub station(s)	
Add-on control unit	Max. 2
Room sub control unit	Max. 4
IP control unit	Max. 1
Video output	NTSC 1Vpp BNC (Video channel 1, 2)
LAN	Ethernet (10 BASE-T)
Mounting	Rack-mount (19-inch, 2U rack) or wall mount
Ambient temperature	0 ~ 40 (+32 ° F ~ +104 ° F)
Material	Steel plate
Color	Black
Weight	4.0kg (8.82 lbs) (approx.)

DESCRIPTION	FIG. NAME	UNIT	DATE
CENTRAL CONTROL UNIT	PRODUCT/SPECIFICATIONS	mm	25 February, 2011
MODEL NO.	FIG. NO.	PAGE	REVISION
IS-CCU	01832-1-9	1/9	1

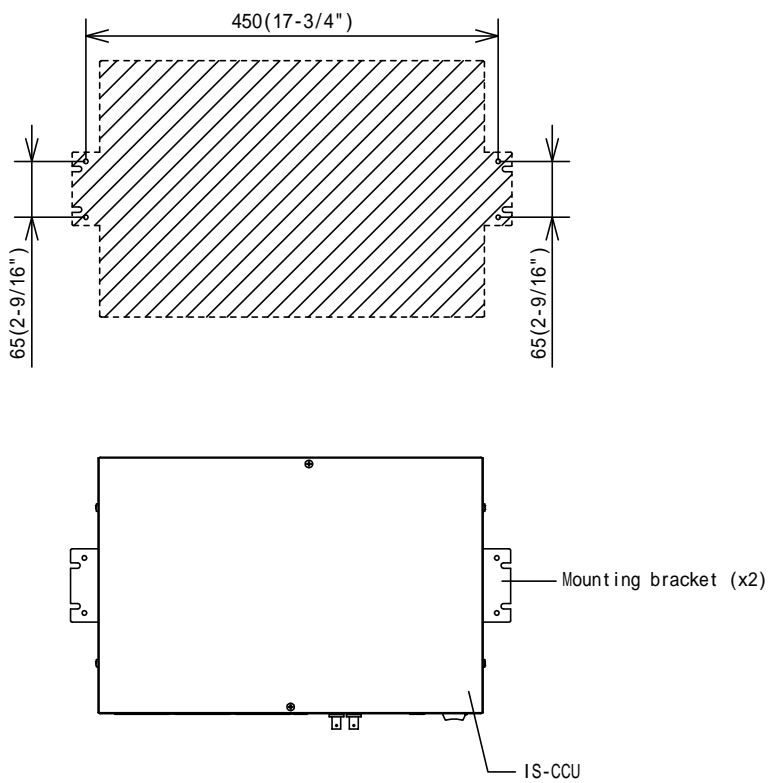
AIPHONE

MOUNTING

• Rack-mounting

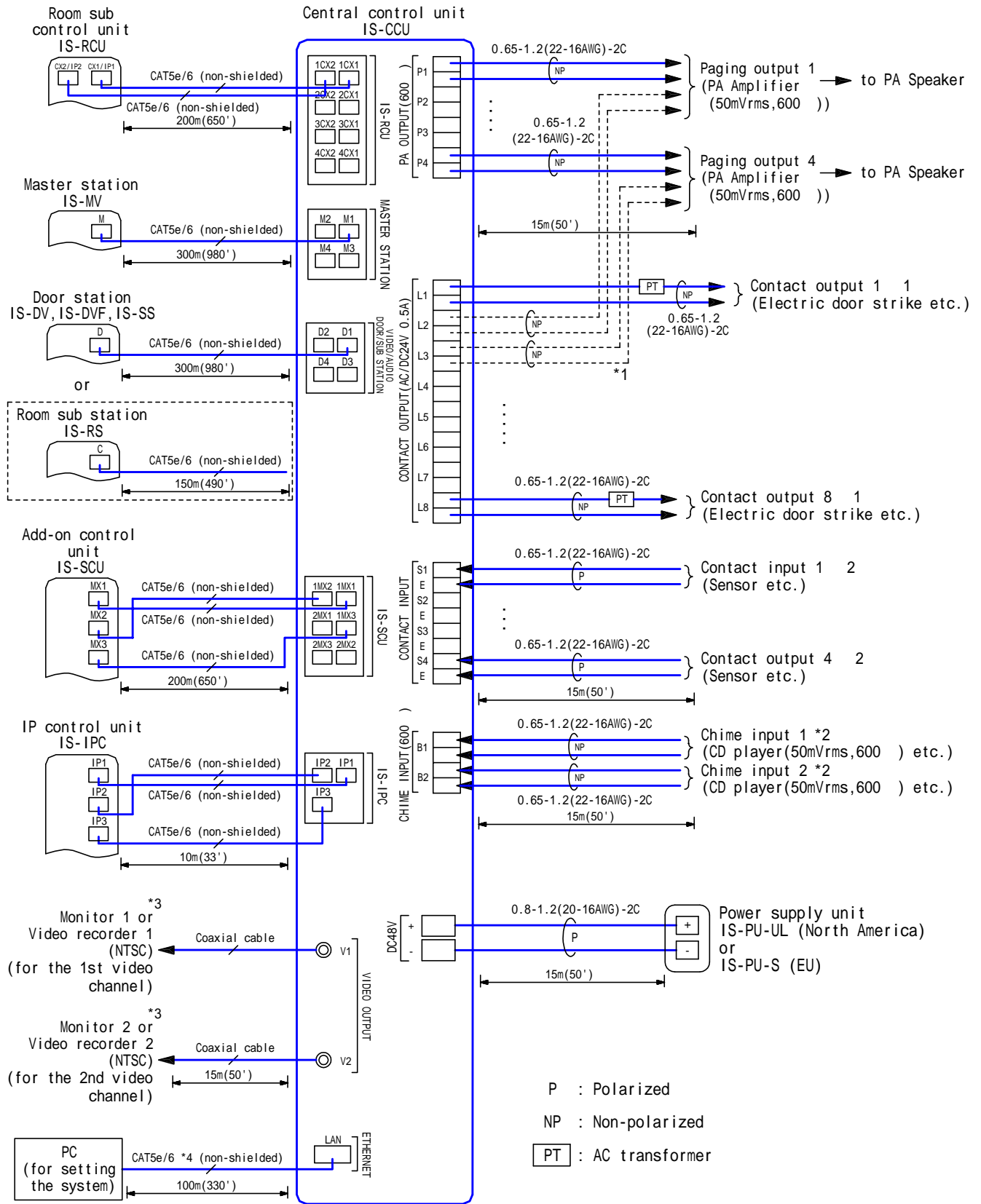


• Wall-mounting



DESCRIPTION CENTRAL CONTROL UNIT	FIG. NAME PRODUCT DRAWING	UNIT mm	DATE 25 February, 2011
MODEL NO. IS-CCU	FIG.NO. 01832-2-9	PAGE 2/9	REVISION 1
			AIPHONE

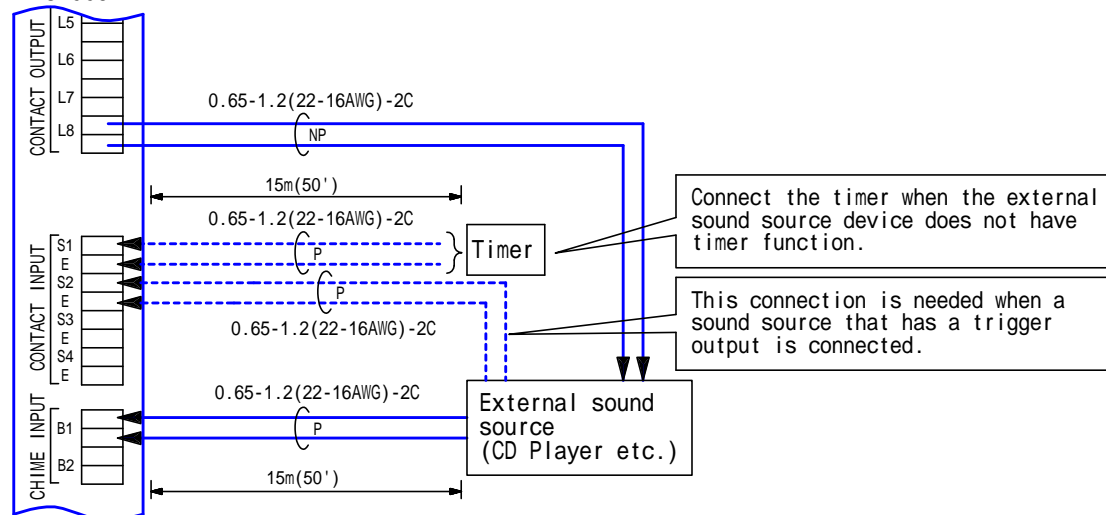
WIRING DIAGRAM



DESCRIPTION CENTRAL CONTROL UNIT	FIG. NAME WIRING DIAGRAM	UNIT mm	DATE 25 February, 2011
MODEL NO. IS-CCU	FIG.NO. 01832-3-9	PAGE 3/9	REVISION 1
			AIPHONE

- *1. Wiring when the PA Amplifier needs the external trigger input for the activation.
- *2. This connection is needed when a sound source that needs a trigger input is connected.
- *3. Outputs images at a video door station connected to one of D1 - D4 ports of IS-CCU when called from the station.
- *4. When connecting a PC to the IS-CCU directly, use an Ethernet crossover cable.

Central control unit
IS-CCU



1. Input specifications

Input method	N/O or N/C dry closure contact (start signal only detection method)
Detection confirmation time	100 msec or more
Contact resistance	During N/O dry closure: 700 or less During N/C dry closure: At least 4 k
Terminal short current	Less than 10 mA
Voltage between terminals	Less than 5 V DC (when open between terminals)

2. Output specifications

Output method	N/O or N/C dry closure contact
Voltage between terminals	24V AC, 0.5A (resistive load) 24V DC, 0.5A (resistive load) Minimum overload (AC/DC): 100mV, 0.1mA

RESTRICTIONS

System settings by PC is required.

FUNCTIONS

POWER LED, STATUS LED and Link/ACT LED list

Status	POWER LED	STATUS LED	Link/ACT LED
Initialize	Lit (Green)	Blinking (Green)	—
Standby		Lit (Green)	When connected to LAN: Lit (Green) When not connected to LAN: —
Error		Blinking (Green)	—

Error display list of STATUS LED

Connected unit	Status	LED display	Until state recovery
Add-on control unit · Room sub control unit	Initialization failed; required signal was not detected.	Blinking (Green)	Blinking continues
	No supervisory		
IP control unit	Initialization failed; required signal was not detected.		
	No supervisory		
Master, door or Room sub station	Required signal was not detected.		

DESCRIPTION CENTRAL CONTROL UNIT	FIG. NAME WIRING/RESTR./FCN.	UNIT mm	DATE 25 February, 2011
MODEL NO. IS-CCU	FIG.NO. 01832-4-9	PAGE 4/9	REVISION 1
			AIPHONE

SETTINGS

Local system

The following is the list of system settings you can make via the web browser.

NOTE:

The following list is a brief overview of the setting items available in the system settings on a PC. The descriptions, and the style and order of descriptions do not necessarily equate with the actual displays.

Title	Sub title	Item	Sub item	Setting range
(On the login window)	-	Language	-	English
System configuration	-	-	-	Local system/Standard system (IP system)
Network setting	-	IP version	-	IPv4
		(Select the network setting method.)	-	DHCP/Static IP Address
		Static IP Address	Static IP Address	0-255 (for each field)
			Subnet Mask	0-255 (for each field)
			Default Gateway	0-255 (for each field)
			Primary DNS server	0-255 (for each field)
		Secondary DNS server	0-255 (for each field)	
		MAC address	-	(Unmodifiable)
Unit name	-	Up to 24 alphanumeric characters		
Web port	-	(Unmodifiable)		
Administrator setting	-	New administrator ID	-	Up to 16 alphanumeric characters
		Current Password	-	Up to 16 alphanumeric characters
		New Password	-	Up to 16 alphanumeric characters
		New Password (Re-type)	-	Up to 16 alphanumeric characters
System setting	Area registration	Area name	-	Up to 24 alphanumeric characters (for up to 99 areas)
	Zone registration	Zone name	-	Up to 24 alphanumeric characters (for up to 99 zones)
	Control units composition	Room sub control unit 1 to 4, Add-on control unit 1 to 2	-	Connected/Not connected
	Registering stations	Area (stations only)	-	01 to 99
		Station number (stations only)	-	001 to 999 0001 to 9999 00001 to 99999
		Station name (for stations)	-	Up to 24 alphanumeric characters
		Station name (for PA output) (Required when an external unit is connected to the corresponding PA output terminals)	-	Up to 24 alphanumeric characters
	Station type (sub stations only)	-	(Select from the registered ones.)	

DESCRIPTION CENTRAL CONTROL UNIT	FIG. NAME SETTINGS	UNIT mm	DATE 25 February, 2011
MODEL NO. IS-CCU	FIG.NO. 01832-5-9	PAGE 5/9	REVISION 1 AIPHONE

Title	Sub title	Item	Sub item	Setting range	
System setting	Advanced station settings	Video door station/ Audio door station/ Room sub station	Called stations	Call priority	Normal/Priority/Urgent
				Called stations	(Select up to 20 master stations from the registered ones.)
			Contact input (room sub stations only)	Contact type	Normally Open (NO) /Normally Closed (NC)
				Call priority/ Answering the page	Answering to the page /Call (Normal/Priority/Urgent)
			Other	Transmit volume boost at PTT	ON/OFF(ON:approx +6dB up 1)
				Camera zoom image preset (video door stations only)	0 (wide)/1/2/3/4/5/6/7/8/9 (zoom)
				Call acknowledge tone on/off	ON/OFF
				Backlight adjustment (video door stations only)	Exposure +/Exposure - 2
				Speaker (room sub stations only)	Built-in speaker /External speaker
			Master station	Stations to be scan monitored	(Select up to 20 sub stations from the registered ones.)
				Other	Master station function: paging, chime, monitor, door release, and remote site call ON/OFF
			Central control unit	Contact input	Contact input
		Contact type			Normally Open (NO)/Normally Closed (NC)
		Trigger condition			None/Broadcast chime/Stop chime
		Sound source (Only when "Broadcast chime" is selected at "Trigger condition")			Internal sound source (Select a sound file or sequence name from the registered ones in the list.) /External sound source (Select either External sound source 1 or 2.)
		Chime priority (Only when "Broadcast chime" is selected for "Trigger condition")			Normal/Priority/Urgent
		Zone name (Only when "Broadcast chime" is selected at "Trigger condition")			(Select from the registered ones.)
		Contact output			Contact output
				Contact type	Normally Open (NO)/Normally Closed (NC)
				Trigger condition	None/Calling notice/Door release/ External sound source/PA output

DESCRIPTION CENTRAL CONTROL UNIT	FIG. NAME SETTINGS	UNIT mm	DATE 25 February, 2011
MODEL NO. IS-CCU	FIG.NO. 01832-6-9	PAGE 6/9	REVISION 1
			AIPHONE

Title	Sub title	Item	Sub item	Setting range	
System setting	Advanced station settings	Central control unit	Contact output	Calling notice (Only when "Calling notice" is selected at "Trigger condition")	Normal: OFF/ON Priority: OFF/ON Urgent: OFF/ON
				Door release (Only when "Door release" is selected at "Trigger condition")	(Select from the sub stations registered and set for the central control unit.)
				External sound source (Only when "External sound source" is selected at "Trigger condition")	External sound source 1 /External sound source 2
				PA output (Only when "PA output" is selected at "Trigger condition")	PA output 1 to 4
		Room sub control unit/Add-on control unit	Contact output	Contact output	L1 to L4
				Contact type	Normally Open (NO)/Normally Closed (NC)
				Trigger condition	None/Calling notice/Door release/PA output
				Calling notice (Only when "Calling notice" is selected at "Trigger condition")	Normal: OFF/ON Priority: OFF/ON Urgent: OFF/ON
				Door release (Only when "Door release" is selected at "Trigger condition")	(Select from the sub stations registered and set for each control unit.)
				PA output (Only when "PA output" is selected at "Trigger condition")	PA output 1 to 4
	Zone setting	Zone number	-	(Select from the registered ones.)	
		Stations	-	(Select from the list.)	
		PA output	-	(Select from the list.)	
Chime setting	Registering sound source	(Sound file)	-	SF1 to SF15 (total up to 3MB, up to 2MB/file)	
	Registering sound sequences	Sound number	-	SS1 to SS20	
		Sound sequence name	-	Up to 24 alphanumeric characters	
		Step	-	1 to 10	
		Sound source	Sound file	(Select from the registered ones.)	
	Repeat times	-	1 to 10		

DESCRIPTION CENTRAL CONTROL UNIT	FIG. NAME SETTINGS	UNIT mm	DATE 25 February, 2011
MODEL NO. IS-CCU	FIG.NO. 01832-7-9	PAGE 7/9	REVISION 1
			AIPHONE

Title	Sub title	Item	Sub item	Setting range	
Chime setting	Registering daily chime schedule	Schedule number	-	DS1 to DS10	
		Schedule name	-	Up to 24 alphanumeric characters	
		Chime time	-	Hour: 0 to 23 Minute: 0 to 59 Second: 0 to 59	
		Sound source	-	Sound file (Select from the registered ones.) /Sound sequence (Select from the registered ones.) /External sound source (1 or 2)	
		Zone number	-	(Select from the registered ones.)	
		Chime priority	-	Normal/Priority/Urgent	
	Chime schedule setting	Weekly schedule	(Repeat setting)		Every week/Every other week
			Schedule start date		From the current day to 1 year ahead
			Schedule end date		From the start day to 1 year ahead
			(Chime schedule)		(None)/DS1 to DS10 (for each day of the week)
		Individual schedule	Date		From the current day to 1 year ahead
			Daily chime schedule		(Select from the registered ones.)
			Chime time		Hour: 0 to 23 Minute: 0 to 59 Second: 0 to 59
			Sound source		Sound file (Select from the registered ones.) /Sound sequence (Select from the registered ones.) /External sound source (1 or 2)
			Zone number		(Select from the registered ones.)
			Chime priority		Normal/Priority/Urgent
	Schedule download		-	(Download the chime and transfer schedules data in CSV format.)	
	Transfer setting	Registering daily transfer schedule	Schedule number	-	DT1/DT2
			Schedule name	-	Up to 24 alphanumeric characters
			Call transfer time	-	Hour: 0 to 23 Minute: 0 to 59 (Set to the Start time and End time individually.)
Transfer schedule setting		Weekly schedule	(Repeat setting)		Every week/Every other week
			Schedule start date		From the current day to 1 year ahead
			Schedule end date		From the start day to 1 year ahead
			Transfer schedule		(None)/DT1/DT2 (for each day of the week)
		Individual schedule	Date		From the current day to 1 year ahead
			Daily transfer schedule		(Select from the registered ones.)
			Call transfer time		Hour: 0 to 23 Minute: 0 to 59 (Set to the Start time and End time individually.)
Timer setting	-	Call	Normal/Priority/Urgent	10 to 600 (sec.), 0 (Unlimited)	
		Communication	In Local (local system only)	30 to 600 (sec.)	
		Paging	-	30 to 600 (sec.)	
		Monitor	-	10 to 600 (sec.)	
		Scan monitor: Switching	-	5 to 60 (sec.)	

DESCRIPTION CENTRAL CONTROL UNIT	FIG. NAME SETTINGS	UNIT mm	DATE 25 February, 2011
MODEL NO. IS-CCU	FIG.NO. 01832-8-9	PAGE 8/9	REVISION 1
			AIPHONE

Title	Sub title	Item	Sub item	Setting range	
Timer setting	-	Contact output	External sound source 1	10 to 300 (sec.)	
			External sound source 2	10 to 300 (sec.)	
		Door release	-	0 to 300 (sec.), (0: Released while holding the "Door release" button pressed.)	
Time and date setting	-	Set current time	Manual setting	Year: 2009 to 2099 Month: 1 to 12 Day: 1 to 31 Hour: 0 to 23 Minute: 0 to 59 Second: 0 to 59	
			Synchronized with PC	-	
		NTP	Synchronized with NTP server	ON/OFF	
			NTP server 3	IP address or domain name	
			NTP port number 3	0 to 65535	
			UTC time zone: Hour difference 3	-12 to +13 (h)	
			UTC time zone: Minute difference 3	-45/-30/0/+30/+45 (m)	
			Synchronize interval 3	1 to 240 (h)	
		Daylight savings time	-	ON/OFF	
			Starts 4	Month	JAN to DEC (M)
				Week	1st to 4th(w)/The last
				Day	Sunday to Saturday
				Hour	0 to 23 (h)
				Minute	0 to 59 (m)
			Ends 4	Month	JAN to DEC (M)
				Week	1st to 4th(w)/The last
				Day	Sunday to Saturday
				Hour	0 to 23 (h)
				Minute	0 to 59 (m)
Hour difference	0 to 12 (h)				
Minute difference	0/30/45 (m)				
Setting file	Downloading setting data	-	-	-	
	Uploading setting data	-	-	-	

1. When hands-free communication is made.
2. Recommended when the door station is mounted in the alcove.
3. Available only when [Synchronized with NTP server] is set to ON.
4. Available only when [Daylights savings time] is set to ON.

DESCRIPTION CENTRAL CONTROL UNIT	FIG. NAME SETTINGS	UNIT mm	DATE 25 February, 2011
MODEL NO. IS-CCU	FIG.NO. 01832-9-9	PAGE 9/9	REVISION 1
			AIPHONE