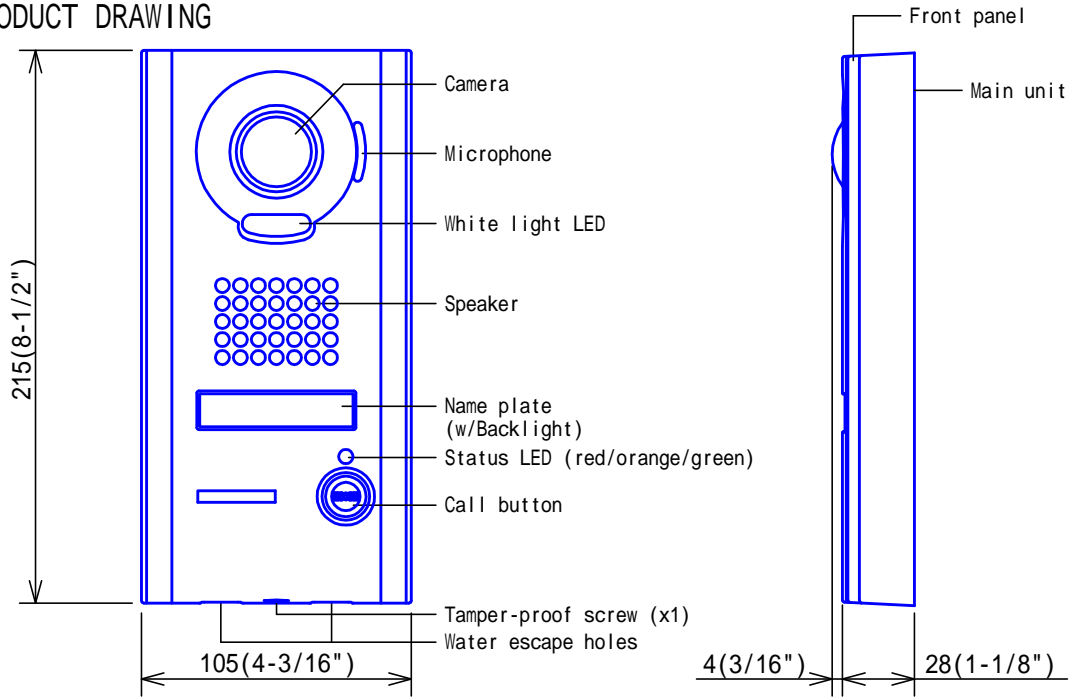
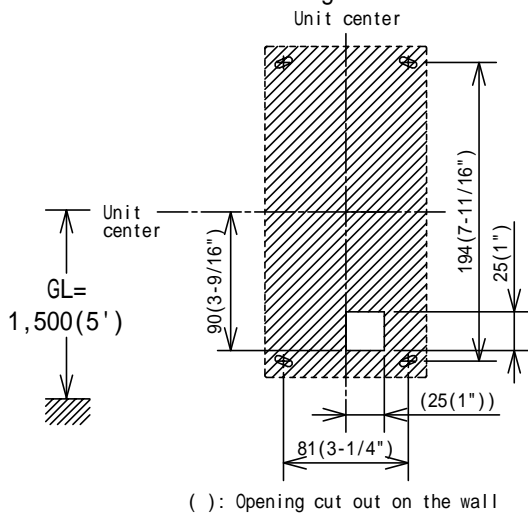


PRODUCT DRAWING



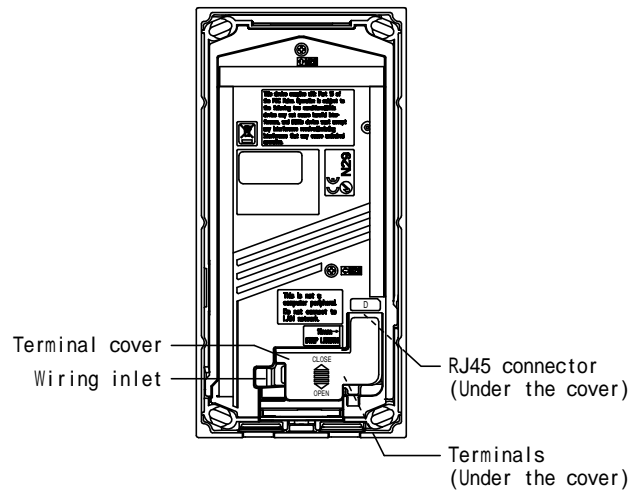
MOUNTING

<Surface wall mounting>



( ): Opening cut out on the wall

<Back view>



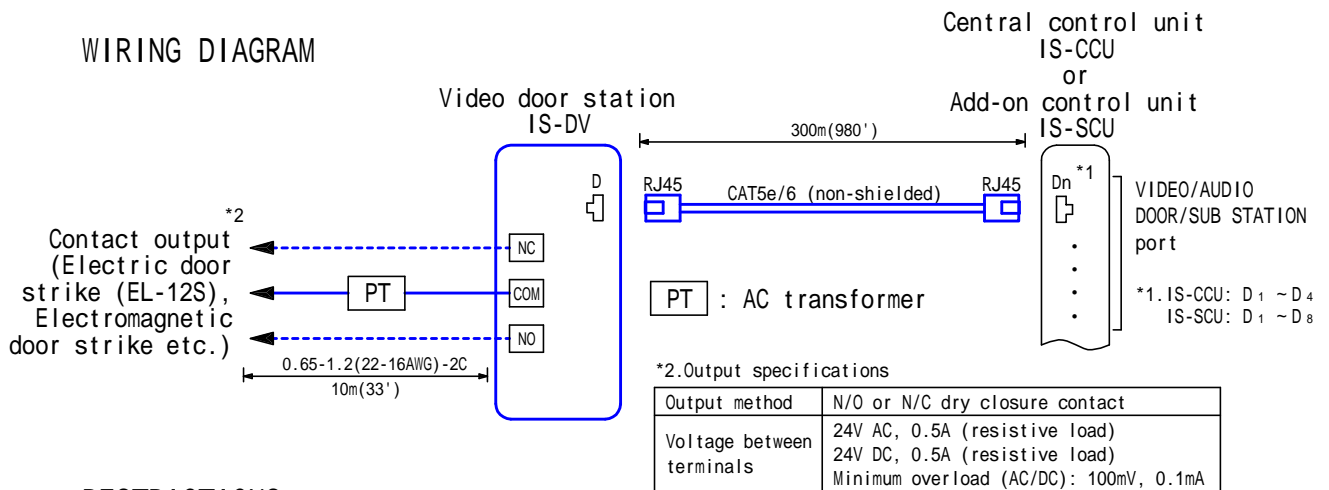
SPECIFICATIONS

Power source	Supplied from Central control unit or Add-on control unit
Communication	Open voice hands-free communication
Camera	1/4 inch color CMOS
Minimum illumination	5 Lux
Camera angle	Wide: 170 ° (approx.) (Horizontal)
Ambient temperature	-10 ~ 60 (+14 ° F ~ +140 ° F)
Mounting	Surface wall mount (Directly to wall)
Material	Front panel: Aluminum die cast. Main unit: Flame resisting PC + ABS resin
Weight	520g (1.15 lbs.)(approx.)
Color	Front panel: Dull-gray silver
Remarks	Weather-resistant

DESCRIPTION VIDEO DOOR STATION (Color, Vandal-resistant)	FIG. NAME PRODUCT/SPECIFICATIONS	UNIT mm	DATE 23 February, 2011
MODEL NO. IS-DV	FIG.NO. 56984-1-3	PAGE 1/3	REVISION 1

**AIPHONE**

## WIRING DIAGRAM

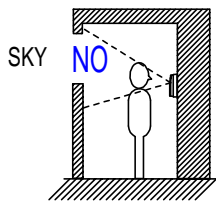


## RESTRICTIONS

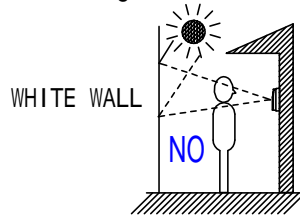
Do not cover the water escape holes with caulking seals.

IS-DV door station is exclusively used with IS Series Master stations.

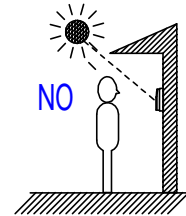
Avoid to install IS-DV in the following locations;



At the entrance where background is sky in upper floors of Condominiums, etc.



The background of the standing caller's is white wall.



Where the standing location is strongly sunlit.

## FUNCTIONS

Initiating a call to and entering communication with Master station, IP master station, PC master station or telephone (in standard (IP) system. North America only).

It can ring multiple Master stations (programmable, up to 20 masters)

Name plate is backlit constantly

Inter site calling and communication (standard (IP) system)

### Status LED List

Status	LED indication
Initialize	OFF
Standby	Lit (Orange)
Error *1 *2	Blinking (Red)
Door monitor	Lit (Orange)
Door Scan monitor	Lit (Orange)
Door relay (release) activation	Blinking (Green)
Door call (Normal)	Blinking (Orange) *6
Door call (Priority)	Blinking (Orange) *6
Door call (Urgent)	Blinking (Red)
Door call denied *3	Lit (Red) *4
Communication	Lit (Green)
Communication transfer	Lit (Green)
Chime (incoming)	Lit (Green)
Paging (incoming)	Lit (Green)
Forced termination *5	Lit (Red) for approx. 3 seconds

\*1. When transmission error (No transmission from or to IS-CCU or IS-SCU) occurs  
Blinking until state recovery.

\*2. When the transmission error is not acknowledged before LED (error) indication timeout: Blinking and error tone continue. (Returns to the standby mode after the timeout)

\*3. Call status indication continues until "Call denied" is acknowledged.

\*4. Lit for approx. 3 seconds after the call button is pressed (ex. When IP talk channel is occupied).

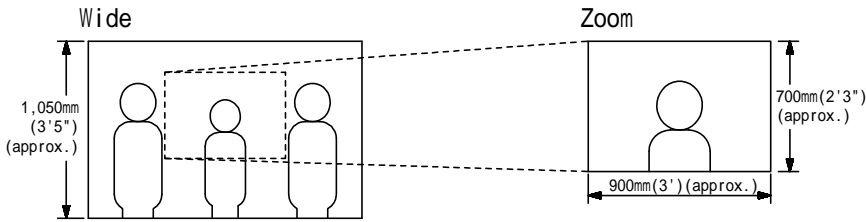
\*5. Lit when the current talk path is interrupted due to a higher priority call/communication of another station.

\*6. Blinking patterns are different.

DESCRIPTION	(Color, Vandal-resistant)	FIG. NAME	UNIT	DATE
VIDEO DOOR STATION		WIRING/RESTR./FCN.	mm	23 February, 2011
MODEL NO.		FIG. NO.	PAGE	REVISION
IS-DV		56984-2-3	2/3	1

**AIPHONE**

## IMAGE VIEW AREA & MOUNTING HEIGHT



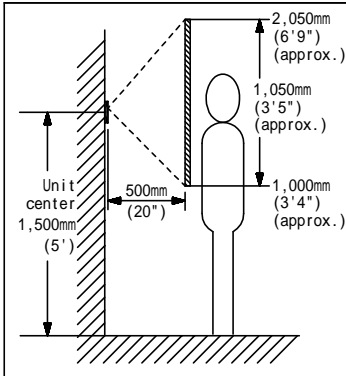
Objects appear smaller due to greater distortion in the surrounding sections compared to the central section, but a wider area is displayed.

Image view area depends on the camera zoom position.

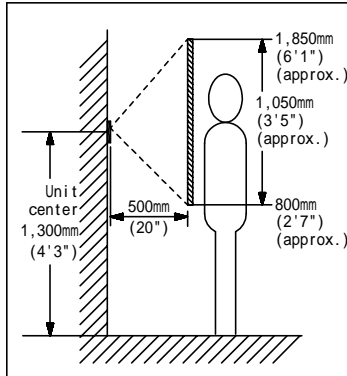
Wide

Vertical

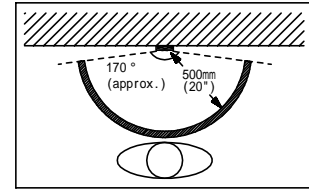
Mounting height 1,500mm(5')



Mounting height 1,300mm(4'3")



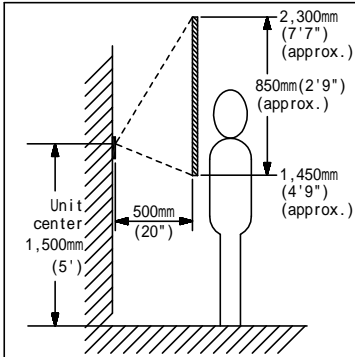
Horizontal



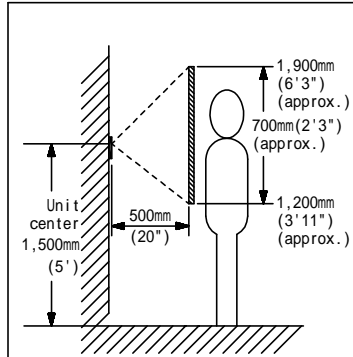
Zoom (Mounting height: 1,500mm(5'))

Vertical

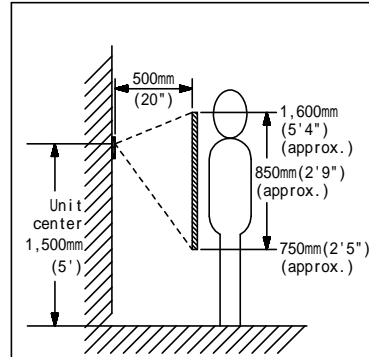
Zoom <top>



Zoom <center>

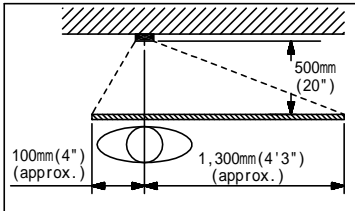


Zoom <bottom>

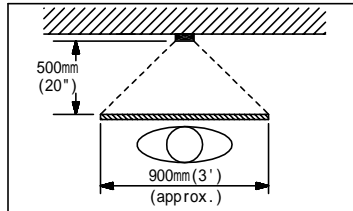


Horizontal

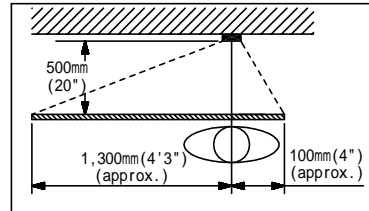
Zoom <left>



Zoom <center>



Zoom <right>



DESCRIPTION VIDEO DOOR STATION	(Color, Vandal-resistant)	FIG. NAME <b>IMAGE VIEW AREA</b>	UNIT mm	DATE 23 February, 2011
MODEL NO. <b>IS-DV</b>		FIG.NO. 56984-3-3	PAGE 3/3	REVISION 1
		<b>AIPHONE</b>		