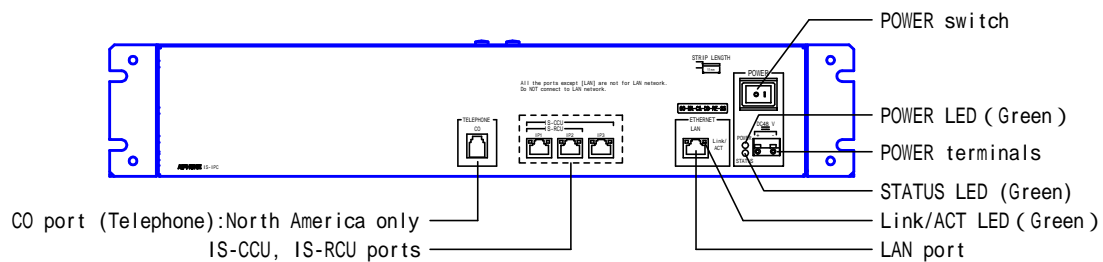
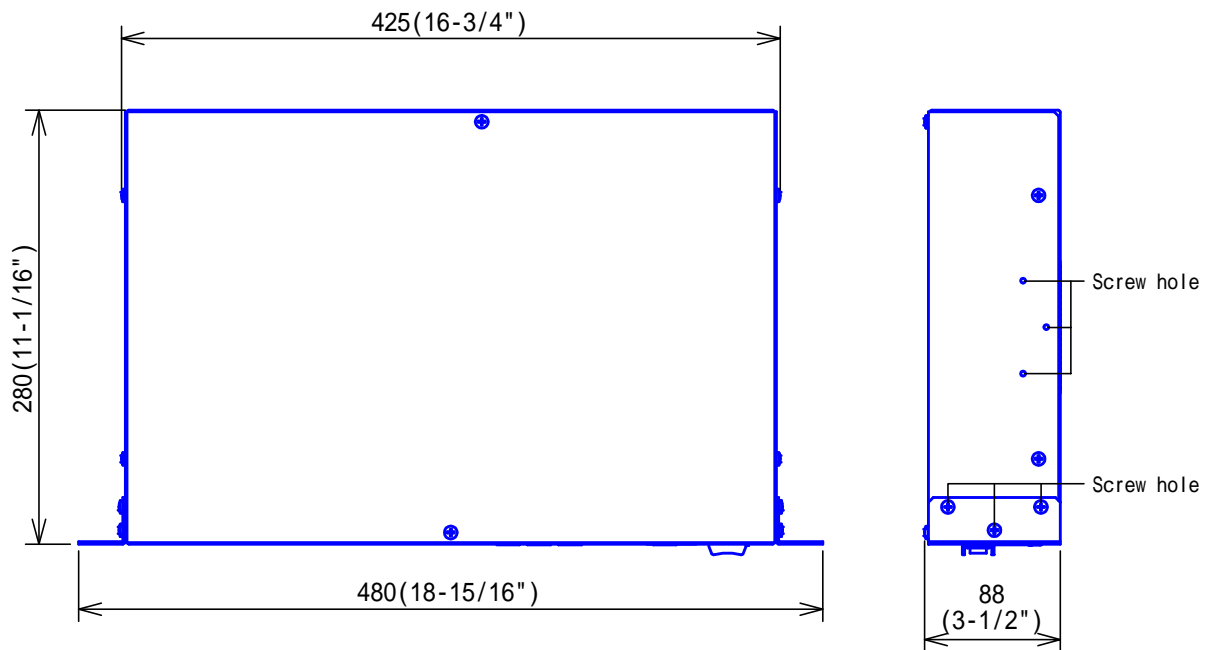


## PRODUCT DRAWING



## SPECIFICATIONS

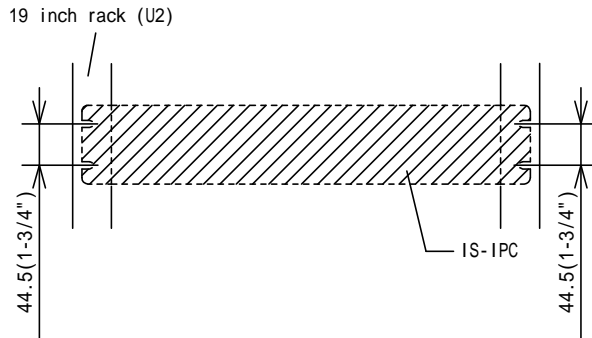
Power source	48V DC. (Supplied from the Power supply unit)
Current consumption	Max. 105mA
Talk channels · Video channels	2 talk & 2 constrained video channels, 1 chime, and 1 telephone (North America only)
Central control unit	} Max. 1
Room sub control unit	
LAN	Ethernet (10 BASE-T, 100 BASE-TX)
Protocol	TCP/IPv4, UDP/IPv4, SIP, Others
Mounting	Rack-mount (19-inch, 2U rack) or wall mount
Ambient temperature	0 ~ 40 ( +32 ° F ~ +104 ° F )
Material	Steel plate
Color	Black
Weight	3.6kg ( 7.94 lbs ) (approx.)

DESCRIPTION	FIG. NAME	UNIT	DATE
IP CONTROL UNIT	PRODUCT/SPECIFICATIONS	mm	1 September, 2011
MODEL NO.	FIG. NO.	PAGE	REVISION
IS-IPC	01865-1-11	1/11	1

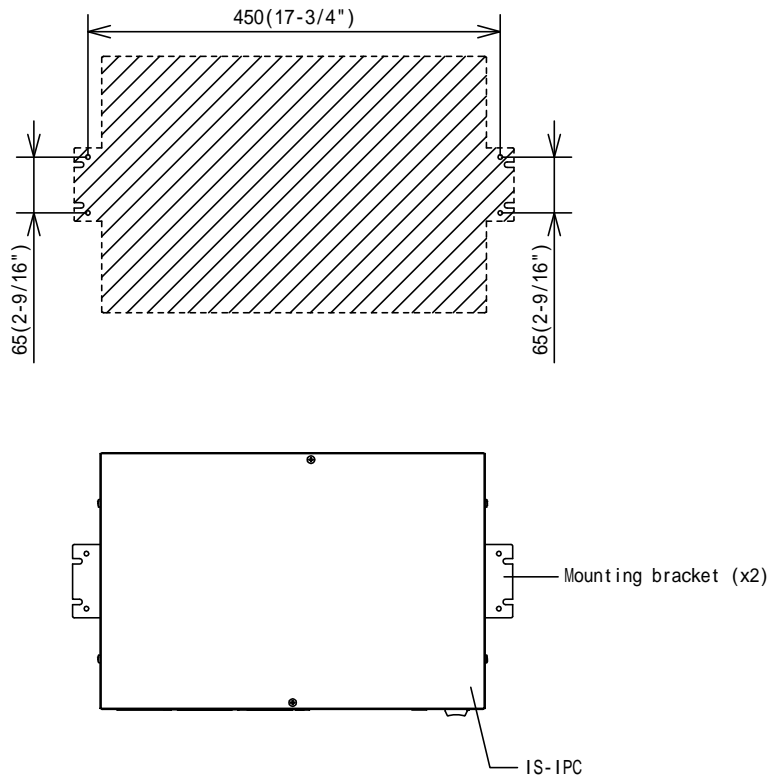
**AIPHONE**

# MOUNTING

## • Rack-mounting

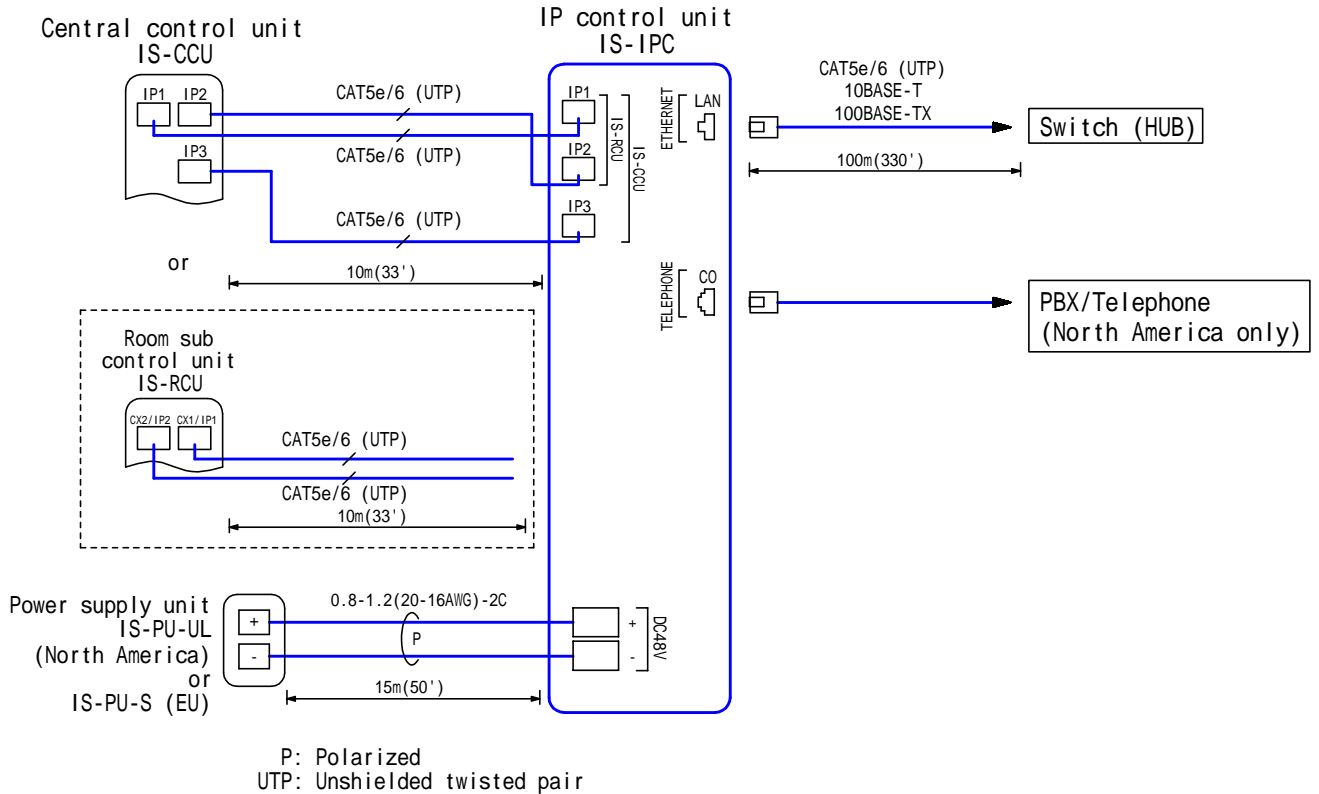


## • Wall-mounting



DESCRIPTION IP CONTROL UNIT	FIG. NAME PRODUCT DRAWING	UNIT mm	DATE 1 September, 2011
MODEL NO. IS-IPC	FIG. NO. 01865-2-11	PAGE 2/11	REVISION 1
			<b>AIPHONE</b>

## WIRING DIAGRAM



## RESTRICTIONS

System setting (or Network setting) by PC is required (Registering chime source has to be made on the web browser of the IS-CCU connected to the host IS-IPC).

The network setting method differs according to the network environment.

Depending on the network environment, operations may not be carried out normally, such as interrupted audio or video, delayed frame rate decrease, etc.

Depending on the broadband router, it may not operate.

You need a broadband connection to use this system over the Internet. Also, the broadband router needs a Static Global IP Address.

In a site, up to 32 IP units (including up to 8 IP control units) can be connected.

Download the setting data as a backup copy after you finish making settings or setting changes.

If you do not communicate with remote sites, set [UPnP] to OFF at [Network setting: Common]. Set the static IP address to the IP host unit.

Requirements for IP units to operate them as the units of an identical site.

- The network segments are identical.
- If the network segments are not identical;
  - Multicast packet forwarding setting can be made on a router or Layer 3 switch (a component in this system).
    - This unit uses IGMP V2 for controlling a multicast group (in IPv4).
  - They comply with the protocol of this system for setting up them among points. (e.g., Layer2VPN etc.)

Requirements for a router or Layer 3 switch for interconnecting sites

- For a router or Layer 3 switch (a component in this system) connected to this unit directly;
  - It has a NAT function.
  - UPnP can be set to OFF.
  - It can be set to open ports individually (Protocol: UDP).
    - The number of ports that can be opened differs depending on the system configuration.

DESCRIPTION	FIG. NAME	UNIT	DATE
IP CONTROL UNIT	WIRING/RESTRICTIONS	mm	1 September, 2011
MODEL NO.	FIG.NO.	PAGE	REVISION
IS-IPC	01865-3-11	3/11	1
<b>IPH NE</b>			

When a IS-RCU is connected to the IS-IPC directly, set the ID setting switch to the position " ID 1 "

Site:

Means an organization set up on a single LAN (IP network).

An entire system can have up to 32 sites connected on an IP network.

We do not recommend using a wireless LAN as it may not operate correctly due to security issues or communication speed delays.

## FUNCTIONS

POWER LED, STATUS LED and Link/ACT LED list

Status	POWER LED	STATUS LED	Link/ACT LED
Initialize		Lighting    Blinking (Green)	_____
Standby	Lit (Green)	Lit (Green)	When connected to LAN: Lit (Green) When not connected to LAN: _____
Error		Blinking (Green)	_____

Error display list of STATUS LED

Connected unit	Status	LED display	Until state recovery
Central control unit · Room sub control unit	Initialization failed; required signal was not detected	Blinking (Green)	Blinking continues
	No supervisory		
Host IP unit	When configuration file was not acquired from the host IP unit.		
	No supervisory		
	No REGISTER response from SIP server		
Client IP unit	No supervisory		
	When not registered to SIP server.		
DHCP server	No signal detected from DHCP server (When DHCP is set to ON)		
UPnP port mapping (Broadband router)	No signal from Port mapping was detected		

You can send e-mails to the designated mail addresses in the following events.

- When calling(\*)
- When a calling is unsuccessful
- When a error occurs among units
- When the system starts up

Each of these events that has occurred in the previous 60 seconds is summarized and sent in an e-mail.

(\*)When there is a door call at an IP video door station, an e-mail will be sent with a snapshot (QVGA JPEG) at the station attached.

DESCRIPTION <b>IP CONTROL UNIT</b>	FIG. NAME <b>RESTRICTIONS/FUNCTIONS</b>	UNIT mm	DATE 1 September, 2011
MODEL NO. <b>IS-IPC</b>	FIG.NO. 01865-4-11	PAGE 4/11	REVISION 1 <b>AIPHONE</b>

## SETTINGS

The following is the list of system settings you can make via the web browser.

**NOTE:**

The following list is a brief overview of the setting items available in the system settings on a PC. The descriptions, and the style and order of descriptions do not necessarily equate with the actual displays.

Title	Sub title	Item	Sub item	Setting range	
-	-	(Language)	-	English/French/German/Spanish/Dutch/Italian/Japanese	
Network setting	Network setting: Individual	IP version	-	IPv4	
		Host unit setting	-	Host unit/Client unit	
			Host unit IP address (available when [Host unit setting] is set to "Client unit")	-	(Enter the Host unit IP address.)
		System name (available when [Host unit setting] is set to "Host unit")	-	Up to 24 alphanumeric characters	
		(Select the network setting method.)	-	DHCP/Static IP Address	
		Static IP Address	Static IP Address (required when [Static IP Address] is selected)	-	0-255 (for each field)
			Subnet Mask (required when [Static IP Address] is selected)	-	0-255 (for each field)
			Default Gateway	-	0-255 (for each field)
			Primary DNS Server	-	0-255 (for each field)
			Secondary DNS Server	-	0-255 (for each field)
		MAC address	-	(Unmodifiable)	
		Unit name	-	Up to 24 alphanumeric characters	
		Web port	-	(Unmodifiable)	
	Connection port	-	1024 - 65535		
	Connection Password	-	Up to 16 alphanumeric characters		
	Network setting: Common	UPnP	-	ON/OFF	
		Global IP address (available when [UPnP] is set OFF)	-	0 - 255 (for each field)	
		Connection port: global	-	(Unmodifiable)	
		Multicast address 1 - 5	-	239.0.0.0 - 239.255.255.255	
		Audio/video port	-	1024 - 65535	
Administrator setting	-	New administrator ID	-	Up to 16 alphanumeric characters	
		Current Password	-	Up to 16 alphanumeric characters	
		New Password	-	Up to 16 alphanumeric characters	
		New Password (Re-type)	-	Up to 16 alphanumeric characters	
IP unit search	-	-	-	-	
System setting	Area/Site registration	Area/Site Name	-	Up to 24 alphanumeric characters (for up to 99 areas including sites) * Up to 31 for sites	

DESCRIPTION <b>IP CONTROL UNIT</b>	FIG. NAME <b>SETTINGS</b>	UNIT mm	DATE 1 September, 2011
MODEL NO. <b>IS-IPC</b>	FIG.NO. 01865-5-11	PAGE 5/11	REVISION 1 <b>AIPHONE</b>

Title	Sub title	Item	Sub item	Setting range	
System setting	Area/Site registration	Area/Site	-	Area/Site	
		IP Address (sites only)	-	0 - 255 (for each ?eld)	
		Port number (sites only)	-	1024 - 65535	
		Connection Password (sites only)	-	Up to 16 alphanumeric characters	
		Door release (sites only)		ON/OFF	
	Zone registration	Zone name	-	Up to 24 alphanumeric characters (for up to 99 zones)	
	IP unit registration	Station type	-	IP control unit, IP video door station, IP master station, PC master station	
		MAC address		-	
		Unit name	-	Up to 24 alphanumeric characters	
		Port number	-	1024 - 65535	
	Control units composition	(Depends on the system configuration.)	-	Connected/Not connected	
	Registering stations	Area (stations only)	-	(Area) 01 to 99	
		Station number (stations only)	-	001 to 999 0001 to 9999 00001 to 99999	
		Station name (for stations)	-	Up to 24 alphanumeric characters	
		Station name (for PA output) (Required when an external unit is connected to the corresponding PA output terminals)	-	Up to 24 alphanumeric characters	
		Station type (sub stations only)	-	(Select from the registered ones.)	
	Advanced station settings	Video door station/ Audio door station/ Room sub station	Called stations	Call priority	Normal/Priority/Urgent
				Called stations	(Set up to 20 targets from the registered ones.)
			Contact input (room sub stations only)	Contact type	Normally open (NO) /Normally closed (NC)
		Call priority/ Answering the page		Answering the page /Call (Normal/Priority/Urgent)	
		Other	Transmit volume boost at PTT	ON/OFF (ON:approx. +6dB up)	
			Camera zoom image preset (video door stations only)	0 (wide)/1/2/3/4/5/6/7/8/9 (zoom)	
			Call acknowledge tone on/off	ON/OFF	
Backlight adjustment (video door stations only)			Exposure +/Exposure -		

DESCRIPTION <b>IP CONTROL UNIT</b>	FIG. NAME <b>SETTINGS</b>	UNIT mm	DATE 1 September, 2011
MODEL NO. <b>IS-IPC</b>	FIG.NO. 01865-6-11	PAGE 6/11	REVISION 1 <b>AIPHONE</b>

Title	Sub title	Item	Sub item		Setting range			
System setting	Advanced station settings	Video door station/ Audio door station/ Room sub station	Other	Speaker (room sub stations only)	Built-in speaker /External speaker			
			Master station		Stations to be scan monitored	(Select up to 20 sub stations from the registered ones.)		
		Other	Master station function: paging, chime, monitor, door release, and remote site call	ON/OFF				
	Central control unit			Contact input		(Contact input)	S1 to S4	
				Contact type		Normally open (NO) /Normally closed (NC)		
				Trigger condition		None/Broadcast chime/Stop chime		
				Sound source (Only when "Broadcast chime" is selected at "Trigger condition")		Internal sound source (Select a sound file or sequence name from the registered ones in the list.) /External sound source (Select either External sound source 1 or 2.)		
				Chime priority (Only when "Broadcast chime" is selected for "Trigger condition")		Normal/Priority/Urgent		
				Zone name (Only when "Broadcast chime" is selected at "Trigger condition")		(Select from the registered ones.)		
				Contact output		(Contact output terminal)		L1 to L8
				Contact type		Normally open (NO) /Normally closed (NC)		
				Trigger condition		None/Calling notice/Door release /External sound source/PA output		
				Calling notice (Only when "Calling notice" is selected at "Trigger condition")		Normal: OFF/ON Priority: OFF/ON Urgent: OFF/ON		
				Door release (Only when "Door release" is selected at "Trigger condition")		(Select from the sub stations registered and set for the central control unit.)		
				External sound source (Only when "External sound source" is selected at "Trigger condition")		External sound source 1 /External sound source 2		

DESCRIPTION IP CONTROL UNIT	FIG. NAME SETTINGS	UNIT mm	DATE 1 September, 2011
MODEL NO. IS-IPC	FIG.NO. 01865-7-11	PAGE 7/11	REVISION 1
			<b>AIPHONE</b>

Title	Sub title	Item	Sub item	Setting range	
System setting	Advanced station settings	Central control unit	Contact output	PA output (Only when "PA output" is selected at "Trigger condition")	PA output 1 to 4
			Room sub control unit/Add-on control unit	(Contact output terminal)	L1 to L4
		Contact type		Normally open (NO) /Normally closed (NC)	
		Trigger condition		None/Calling notice/Door release/PA output	
		Calling notice (Only when "Calling notice" is selected at "Trigger condition")		Normal: OFF/ON Priority: OFF/ON Urgent: OFF/ON	
		Door release (Only when "Door release" is selected at "Trigger condition")		(Select from the sub stations registered and set for each control unit.)	
		PA output (Only when "PA output" is selected at "Trigger condition")		PA output 1 to 4	
		Zone setting	Zone number	-	(Select from the registered ones.)
			Stations	-	(Select from the list.)
			PA output	-	(Select from the list.)
Chime setting 1	Registering sound sequences	Sound sequence number	-	SS1 to SS20	
		Sound sequence name	-	Up to 24 alphanumeric characters	
		Step	-	1 to 10	
		Sound source	Sound file	(Select from the registered ones.)	
			Repeat times	1 to 10	
		Registering daily chime schedule	Schedule number	-	DS1 to DS10
	Schedule name		-	Up to 24 alphanumeric characters	
	Chime time		-	Hour: 0 to 23 Minute: 0 to 59 Second: 0 to 59	
	Sound source		-	Sound file (Select from the registered ones.) /Sound sequence (Select from the registered ones.) /External sound source (1 or 2)	
	Zone number		-	(Select from the registered ones.)	
	Chime priority		-	Normal/Priority/Urgent	
	Chime schedule setting		Weekly schedule	(Repeat setting)	Every week/Every other week
		Schedule start date		From the current day to 1 year ahead	
		Schedule end date		From the start day to 1 year ahead	
		(Chime schedule)		None/DS1 to DS10 (for each day of the week)	
		Individual schedule	(Date)	From the current day to 1 year ahead	
			Daily chime schedule	(Select from the registered ones.)	

1.It is required that you have registered sound source(s) on the IS-CCU connected to the IS-IPC (as the IP host unit) directly.

DESCRIPTION IP CONTROL UNIT	FIG. NAME SETTINGS	UNIT mm	DATE 1 September, 2011
MODEL NO. IS-IPC	FIG.NO. 01865-8-11	PAGE 8/11	REVISION 1 <b>AIPHONE</b>



Title	Sub title	Item	Sub item	Setting range
Chime setting 1	Chime schedule setting	Individual schedule	Chime time	Hour: 0 to 23 Minute: 0 to 59 Second: 0 to 59
			Sound source	Sound file (Select from the registered ones.) /Sound sequence (Select from the registered ones.) /External sound source (1 or 2)
			Zone number	(Select from the registered ones.)
			Chime priority	Normal/Priority/Urgent
		Schedule download	-	(Download the chime (and transfer) schedule data in CSV format.)
Transfer setting	Registering daily transfer schedule	Schedule number	-	DT1/DT2
		Schedule name	-	Up to 24 alphanumeric characters
		Call transfer time	-	Hour: 0 to 23 Minute: 0 to 59 (Set to the Start time and End time individually.)
	Transfer schedule setting	Weekly schedule	(Repeat setting)	Every week/Every other week
			Schedule start date	From the current day to 1 year ahead
			Schedule end date	From the start day to 1 year ahead
			(Transfer schedule)	None/DT1/DT2 (for each day of the week)
		Individual schedule	(Date)	From the current day to 1 year ahead
			Daily transfer schedule	(Select from the registered ones.)
	Call transfer time	-	Hour: 0 to 23 Minute: 0 to 59 (Set to the Start time and End time individually.)	
Timer setting	-	Call	Normal/Priority /Urgent	10 to 600 (sec.), 0 (Unlimited)
		Communication	In Local	30 to 600 (sec.)
			Via IP	30 to 600 (sec.)
			Telephone (North America only)	30 to 600 (sec.)
		Paging	-	30 to 600 (sec.)
		Monitor	-	10 to 600 (sec.)
		Scan monitor: Switching	-	5 to 60 (sec.)
		Contact output	External sound source 1	10 to 300 (sec.)
			External sound source 2	10 to 300 (sec.)
		Door release	-	0 to 300 (sec.), (0: Released while holding the Door release button pressed.)
Remote site pilot call setting	-	Remote site master call	Normal/Priority/Urgent	(Select one from the registered stations in your site for each of "Normal", "Priority" and "Urgent".)
		Remote site door call	Normal/Priority/Urgent	(Select up to 20 stations from the registered master stations in your site for each of "Normal", "Priority" and "Urgent".)
		Remote site room sub call	Normal/Priority/Urgent	(Select up to 20 stations from the registered master stations in your site for each of "Normal", "Priority" and "Urgent".)

1.It is required that you have registered sound source(s) on the IS-CCU connected to the IS-IPC (as the IP host unit) directly.

DESCRIPTION <b>IP CONTROL UNIT</b>	FIG. NAME <b>SETTINGS</b>	UNIT mm	DATE 1 September, 2011
MODEL NO. <b>IS-IPC</b>	FIG.NO. 01865-9-11	PAGE 9/11	REVISION 1 <b>AIPHONE</b>

Title	Sub title	Item	Sub item	Setting range		
Remote site pilot call setting	-	Remote site paging	Normal/Priority/Urgent/Broadcast	(Select one from the registered zones in your site for each of "Normal", "Priority", "Urgent" and "Broadcast".)		
		Remote site chime	Zone name	(Select one from the registered zones in your site for each of "Normal", "Priority" and "Urgent".)		
			Sound file name/sequence name	Sound file: SF1 - SF15 Sound sequence: SS1 - SS20		
Telephone setting (North America only)	-	Telephone connection	-	ON/OFF		
		Called telephone number	1/2/3	(1 to 30 digit number can be set for each by using "0 - 9", ",", and "_".)		
		Call change time	-	10 - 60 (sec.)		
		Telephone pass code	-	3 to 4 digit number		
		Dial pause duration	-	1 to 10 (sec.)		
		DTMF duration	-	50 to 300 (msec.)		
		Waiting time for ring-back-tone	-	1 to 30 (sec.)		
		Telephone pass code input time	-	3 - 15 (sec.)		
		Dial-tone detecting time	-	1 - 15 (sec.)		
		Sound detection waiting time	-	500 - 1500 (msec.)		
		Sound detection time	-	300 - 1000 (msec.)		
		Call detection time	-	100 - 1000 (msec.)		
		Detection setting	Outgoing call tone detection	Dial-tone detection		ON/OFF
				Outgoing call tone detection priority		Normal/Priority
			Called party answer detection	Shorter ring-back-tone than previous one		ON/OFF Ring-back-tone detection time: 0.5 - 10.5 (sec.)
				End of ring-back-tone		ON/OFF Waiting time for ring-back-tone: 0.5 - 10.5 (sec.)
			Called party hang-up detection	Busy tone detection		ON/OFF
				Dial tone detection		ON/OFF
				CPC signal detection		ON/OFF CPC signal detection time: 50 - 1000 (msec.)
				Reverse polarity detection		ON/OFF
Video setting	-		Frame Rate	-	1/2/5/7.5/10/15 (fps)	
			Quality	-	Low, Middle, High, Excellent	

DESCRIPTION <b>IP CONTROL UNIT</b>	FIG. NAME <b>SETTINGS</b>	UNIT mm	DATE 1 September, 2011
MODEL NO. <b>IS-IPC</b>	FIG. NO. 01865-10-11	PAGE 10/11	REVISION 1 <b>AIPHONE</b>

Title	Sub title	Item	Sub item	Setting range		
Time and date setting	-	Set current time	Manual setting	Year: 2009 to 2099 Month: 1 to 12 Day: 1 to 31 Hour: 0 to 23 Minute: 0 to 59 Second: 0 to 59		
			Synchronized with PC	-		
		NTP	Synchronized with NTP server	ON/OFF		
			NTP server 2	IP address or domain name		
			NTP port number 2	1 - 65535		
			(UTC time zone 2) Hour difference 2	-12 to +13 (h)		
			(UTC time zone 2) Minute difference 2	-45/-30/0/+30/+45 (m)		
			Synchronize interval	1 to 240 (h)		
		Daylight savings time	-	ON/OFF		
			Starts	3	Month	JAN to DEC (M)
					Day	(Week) 1st to 4th(W)/The last (Day) Sunday to Saturday
				Hour	(Hour)	0 to 23 (h)
					(Minute)	0 to 59 (m)
			Ends	3	Month	JAN to DEC (M)
					Day	(Week) 1st to 4th(W)/The last (Day) Sunday to Saturday
				Hour	(Hour)	0 to 23 (h)
					(Minute)	0 to 59 (m)
			Hour difference 3	0 to 12 (h)		
			Minute difference 3	0/30/45 (m)		
			E-mail setting	-	Email destination address	1/2/3
Email source address	-				Up to 256 alphanumeric characters	
SMTP authentication	SMTP server				Up to 256 alphanumeric characters	
	SMTP server port	1 - 65535				
	(Email) login ID	Up to 256 alphanumeric characters				
	Password	Up to 64 alphanumeric characters				
Mailing event	Call: Normal	ON/OFF				
	Call: Priority	ON/OFF				
	Call: Urgent	ON/OFF				
	System start	ON/OFF				
Data communication error in the system	ON/OFF					
Setting file	Downloading setting data	-	-	-		
	Uploading setting data	-	-	-		

2. Available only when [Synchronized with NTP server] is set to ON.
3. Available only when [Daylight savings time] is set to ON.

DESCRIPTION <b>IP CONTROL UNIT</b>	FIG. NAME <b>SETTINGS</b>	UNIT mm	DATE 1 September, 2011
MODEL NO. <b>IS-IPC</b>	FIG.NO. 01865-11-11	PAGE 11/11	REVISION 1 <b>AIPHONE</b>