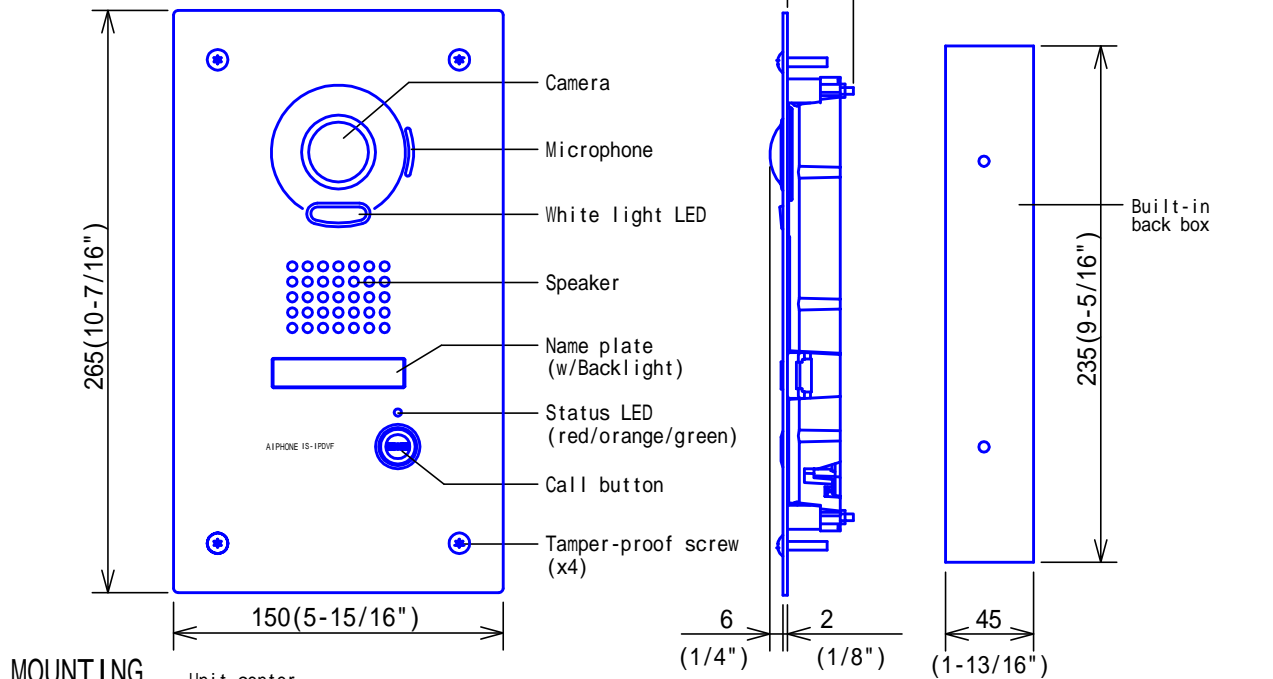
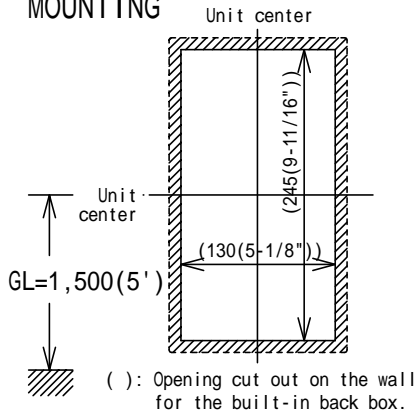


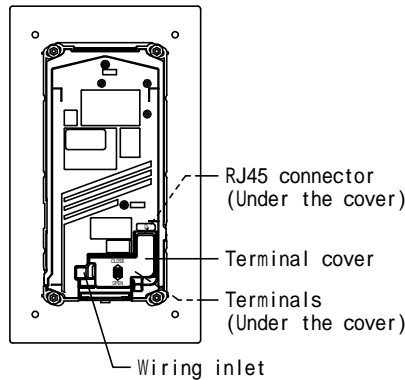
PRODUCT DRAWING



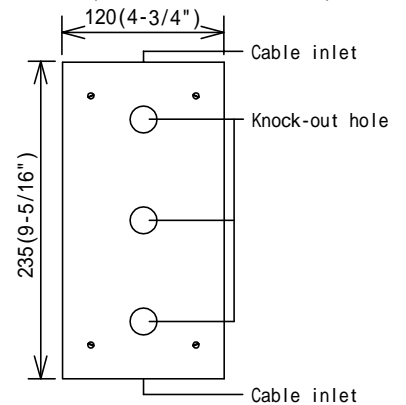
MOUNTING



<Back view>



<Back view(Built-in back box)>



SPECIFICATIONS

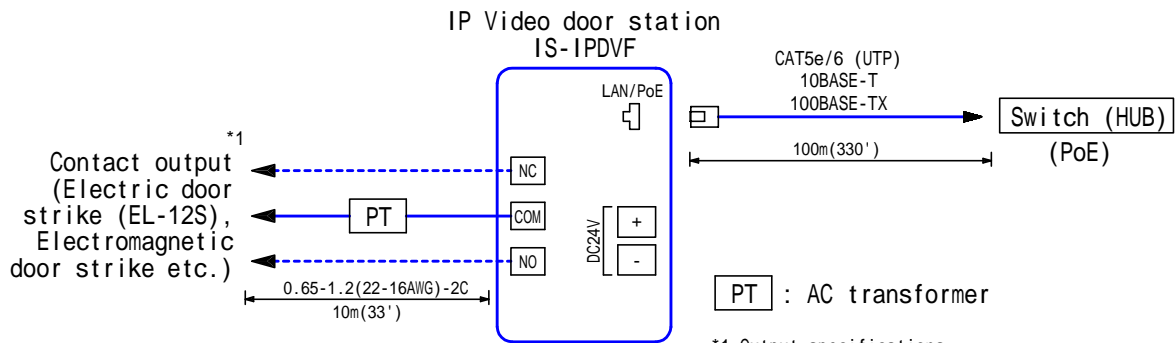
Power source	24V DC: Supplied from a power supply / 48V DC: PoE
Current consumption	Max.160mA (24V DC), Max.85mA (48V DC)
Communication	Open voice hands-free communication
Camera	1/4 inch color CMOS
Minimum illumination	5 Lux
Camera angle	Wide: 170 ° (approx.) (Horizontal)
Ambient temperature	-10 ~ 60 (+14 ° F ~ +140 ° F)
LAN	Ethernet (10 BASE-T, 100 BASE-TX)
Protocol	TCP/IPv4, UDP/IPv4, SIP, Others
Mounting	Flush mount
Electrical box	Not used (Mounts on built-in back box.)
Material	Front panel: Stainless steel. Main unit: Flame resisting PC + ABS resin
Weight	860g (1.90 lbs)(approx.), back box 600g (1.32 lbs)(approx.)
Color	Front panel: Silver (Stainless steel, vertical hair-line processed.) Back box: Black
Remarks	Weather-resistant

DESCRIPTION IP VIDEO DOOR STATION (Color, Vandal-resistant)	FIG. NAME PRODUCT/SPECIFICATIONS	UNIT mm	DATE 1 September, 2011
MODEL NO. IS-IPDVF	FIG.NO. 57329-1-5	PAGE 1/5	REVISION 1

AIPHONE

WIRING DIAGRAM

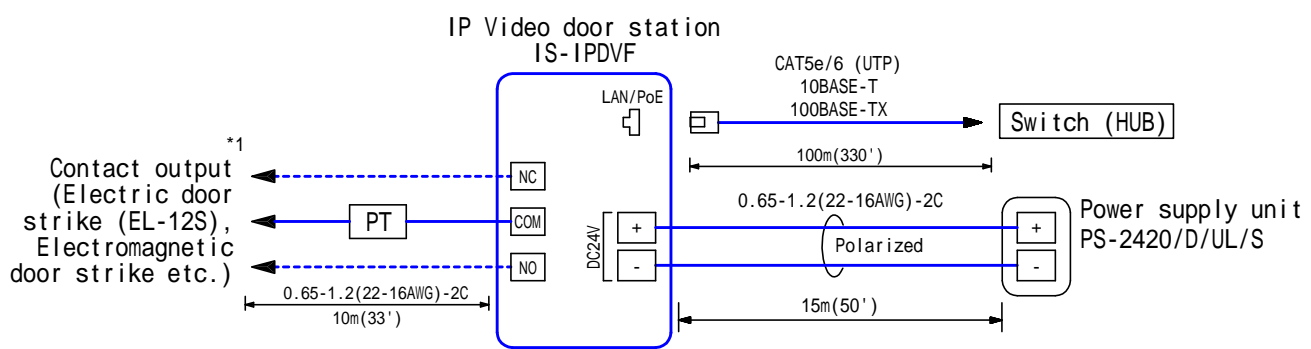
【Power source: PoE】



*1. Output specifications

Output method	N/O or N/C dry closure contact
Voltage between terminals	24V AC, 0.5A (resistive load)
	24V DC, 0.5A (resistive load)
	Minimum overload (AC/DC): 100mV, 0.1mA

【Power source: Power supply unit】



UTP: Unshielded twisted pair

DESCRIPTION IP VIDEO DOOR STATION (Color, Vandal-resistant)	FIG. NAME WIRING	UNIT mm	DATE 1 September, 2011
MODEL NO. IS-IPDVF	FIG.NO. 57329-2-5	PAGE 2/5	REVISION 1



RESTRICTIONS

System setting (or Network setting) by PC is required (For the setting items, refer to "IS-IPC" specification sheet. Setting items differ depending on the system configuration.).

The network setting method differs according to the network environment.

Depending on the network environment, operations may not be carried out normally, such as interrupted audio or video, and delayed frame rate decrease.

Depending on the broadband router, it may not operate.

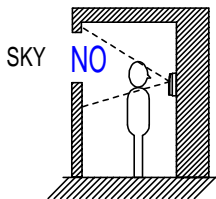
You need a broadband connection to use this system over the Internet. Also, the broadband router needs a Static Global IP Address.

In a site, up to 32 IP units can be connected.

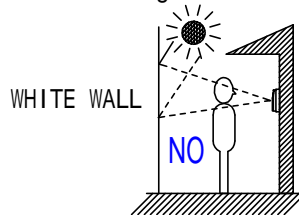
Do not cover the water escape holes with caulking seals.

IS-IPDVF door station is exclusively used with IS Series Master stations.

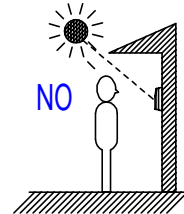
Avoid to install IS-IPDVF in the following locations;



At the entrance where background is sky in upper floors of Condominiums, etc.



The background of the standing caller's is white wall.



Where the standing location is strongly sunlit.

Download the setting data as a backup copy after you finish making settings or setting changes.

If you do not communicate with remote sites, set [UPnP] to OFF at [Network setting: Common]

Set the static IP address to the IP host unit.

Requirements for IP units to operate them as the units of an identical site.

- The network segments are identical.
- If the network segments are not identical;
 - Multicast packet forwarding setting can be made on a router or Layer 3 switch (a component in this system).
 - This unit uses IGMP V2 for controlling a multicast group (in IPv4).
- They comply with the protocol of this system for setting up them among points. (e.g., Layer2VPN etc.)

Requirements for a router or Layer 3 switch for interconnecting sites

- For a router or Layer 3 switch (a component in this system) connected to this unit directly;
 - It has a NAT function.
 - UPnP can be set to OFF.
 - It can be set to open ports individually (Protocol: UDP).
 - The number of ports that can be opened differs depending on the system configuration.

Site:

Means an organization set up on a single LAN (IP network).

An entire system can have up to 32 sites connected on an IP network.

We do not recommend using a wireless LAN as it may not operate correctly due to security issues or communication speed delays.

DESCRIPTION IP VIDEO DOOR STATION (Color, Vandal-resistant)	FIG. NAME RESTRICTIONS	UNIT mm	DATE 1 September, 2011
MODEL NO. IS-IPDVF	FIG.NO. 57329-3-5	PAGE 3/5	REVISION 1 AIPHONE

FUNCTIONS

Initiating a call to and entering communication with Master station, IP master station, PC master station.

It can ring multiple Master stations(programmable, up to 20 masters in the same site, or 19 masters in the same site and 1 remote site)

Name plate is backlit constantly

Inter site calling and communication

Status LED List

Status	LED indication
Initialize	Blinking (Orange) *1,*2
Standby	Lit (Orange)
Error *3~*7	Blinking (Red)
Door monitor	Lit (Orange)
Door Scan monitor	Lit (Orange)
Door relay (release) activation	Blinking (Green)
Door call (Normal)	Blinking (Orange) *11
Door call (Priority)	Blinking (Orange) *11
Door call (Urgent)	Blinking (Red)
Door call denied *8	Lit (Red) *9
Communication	Lit (Green)
Call transfer	Lit (Green)
Chime (incoming)	Lit (Green)
Paging (incoming)	Lit (Green)
Forced termination *10	Lit (Red)

*1.LED starts blinking in approx. 3 seconds (lighting in red) after starting up.

*2.When configuration file was not acquired from the host IP unit.
Blinking continues.

*3.No supervisory
Blinking until state recovery.

*4.No REGISTER response from SIP server
Blinking until state recovery.

*5.When not registered to SIP server.
Blinking until state recovery.

*6.When the transmission error was not acknowledged within timeout
LED turns lit (Orange).

*7.No signal was detected from DHCP server (When DHCP is set to ON).
Blinking until state recovery.

*8.Call status indication continues until "Call denied" is acknowledged.

*9.Lit for approx. 3 seconds (ex. When IP talk channel is occupied)

*10.Lit when the current talk path is interrupted due to a higher priority call/communication from/with another station.

*11.Blinking patterns are different

You can send e-mails to the designated mail addresses in the following events.

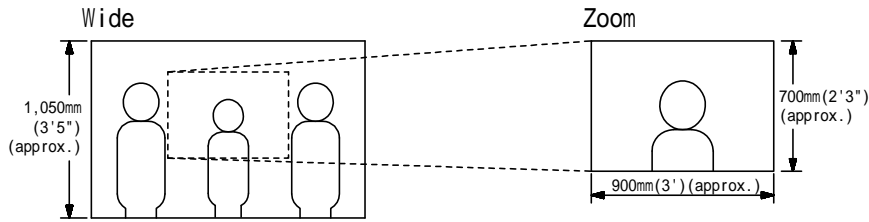
- When calling(*)
- When a calling is unsuccessful
- When a error occurs among units
- When the system starts up

Each of these events that has occurred in the previous 60 seconds is summarized and sent in an e-mail.

(*)When there is a door call at an IP video door station, an e-mail will be sent with a snapshot (QVGA JPEG) at the station attached.

DESCRIPTION IP VIDEO DOOR STATION (Color, Vandal-resistant)	FIG. NAME FUNCTIONS	UNIT mm	DATE 1 September, 2011
MODEL NO. IS-IPDVF	FIG.NO. 57329-4-5	PAGE 4/5	REVISION 1 AIPHONE

IMAGE VIEW AREA & MOUNTING HEIGHT

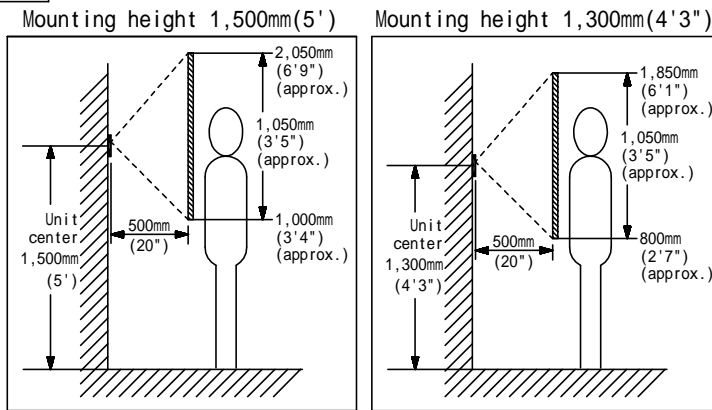


Objects appear smaller due to greater distortion in the surrounding sections compared to the central section, but a wider area is displayed.

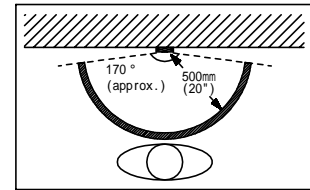
Image view area depends on the camera zoom position.

Wide

Vertical

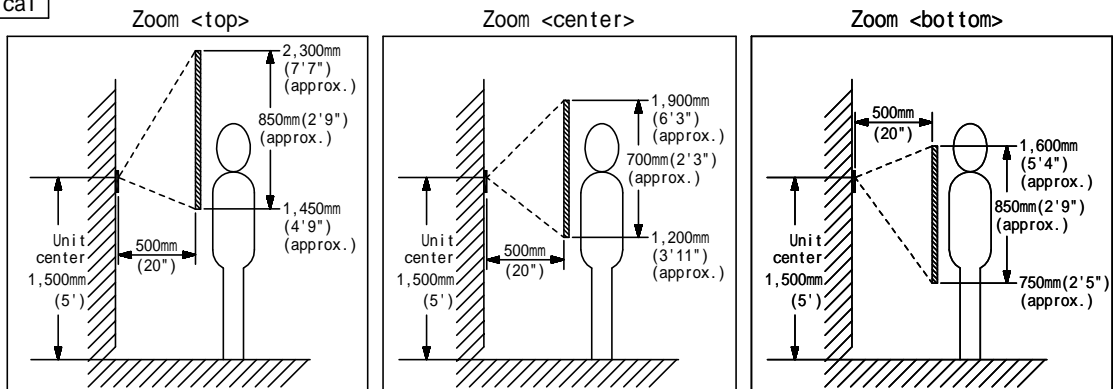


Horizontal

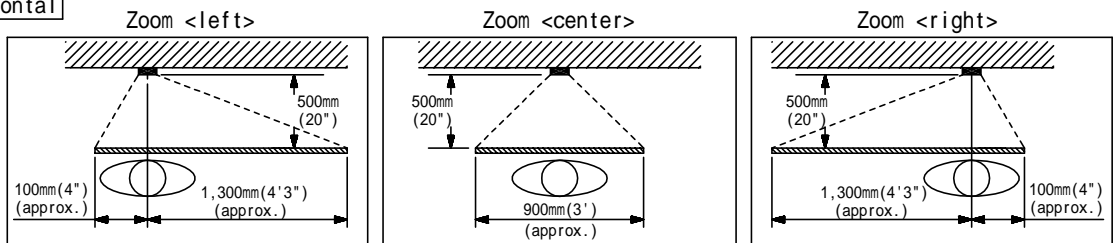


Zoom (Mounting height: 1,500mm (5'))

Vertical



Horizontal



DESCRIPTION IP VIDEO DOOR STATION (Color, Vandal-resistant)	FIG. NAME IMAGE VIEW AREA	UNIT mm	DATE 1 September, 2011
MODEL NO. IS-IPDVF	FIG.NO. 57329-5-5	PAGE 5/5	REVISION 1
			AIPHONE