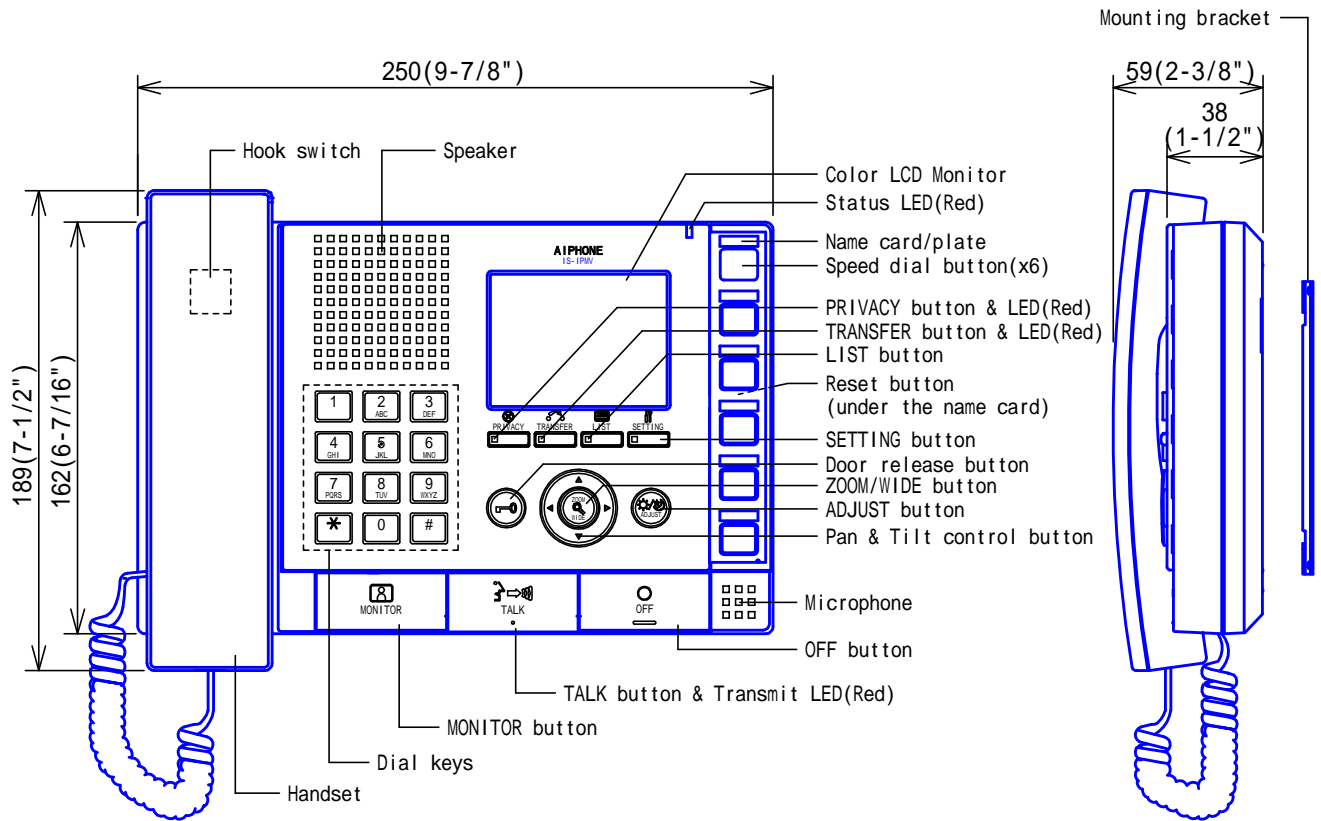


PRODUCT DRAWING



SPECIFICATIONS

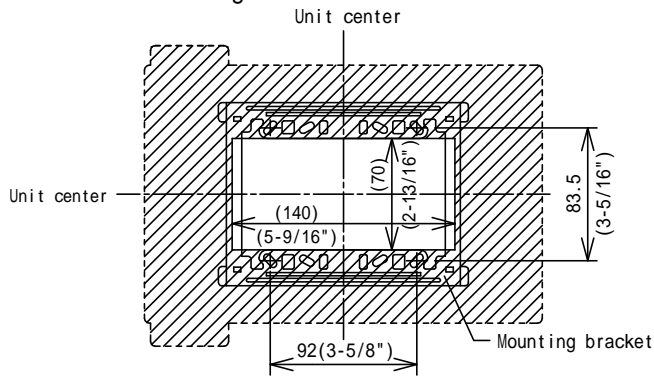
Power source	24V DC: Supplied from a power supply / 48V DC: PoE
Current consumption	Max.130mA (24V DC), Max.65mA (48V DC)
Call tone	Audible indication & Status LED blinking (until call timeout)
Communication	Handset: Simultaneous Communication (When PTT is not set) Hands-free: Auto-voice actuation Press-to-talk (PTT)
Monitor	3.5 inch color LCD monitor
Call history	20 received calls, 20 placed calls
Paging capacity	Simultaneous paging to Max.5 stations and/or zones in the same site or a remote site.
LAN	Ethernet (10 BASE-T, 100 BASE-TX)
Protocol	TCP/IPv4, UDP/IPv4, SIP, Others
Mounting	Desktop use (with or without desktop stand) or wall-mount
Ambient temperature	0 ~ 40 (+32 ° F ~ +104 ° F)
Electrical box	1-gang box: wiring only 3-gang box: wiring and fixing
Material	Flame resisting ABS resin
Color	Black
Weight	820g (1.81 lbs)(approx.)

DESCRIPTION	FIG. NAME	UNIT	DATE
COLOR MONITOR IP MASTER STATION	PRODUCT/SPECIFICATIONS	mm	1 September, 2011
MODEL NO.	FIG.NO.	PAGE	REVISION
IS-IPMV	57307-1-6	1/6	1

AIPHONE

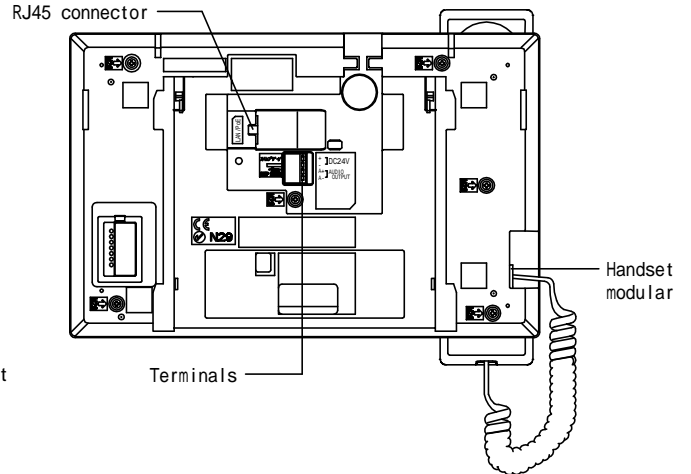
MOUNTING

• Wall-mounting



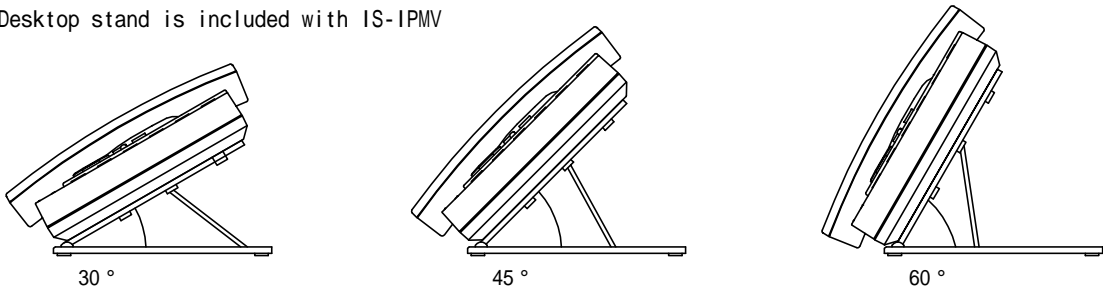
(): Opening cut out on the wall

<Back view>



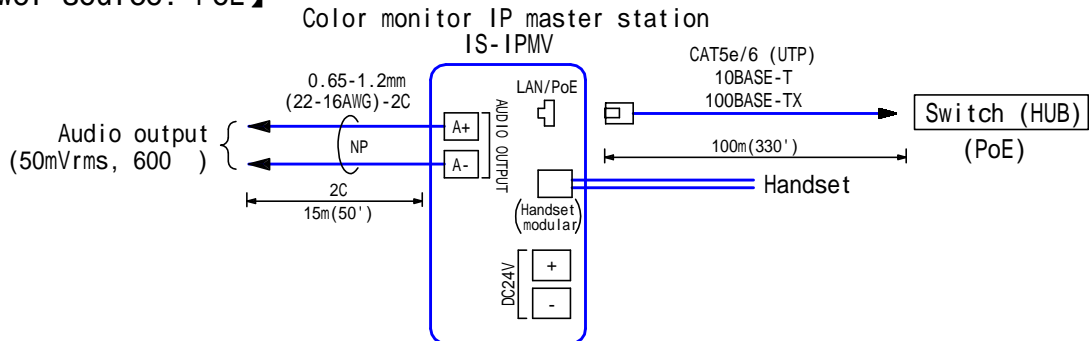
• Desktop mounting(with desktop stand)

* Desktop stand is included with IS-IPMV

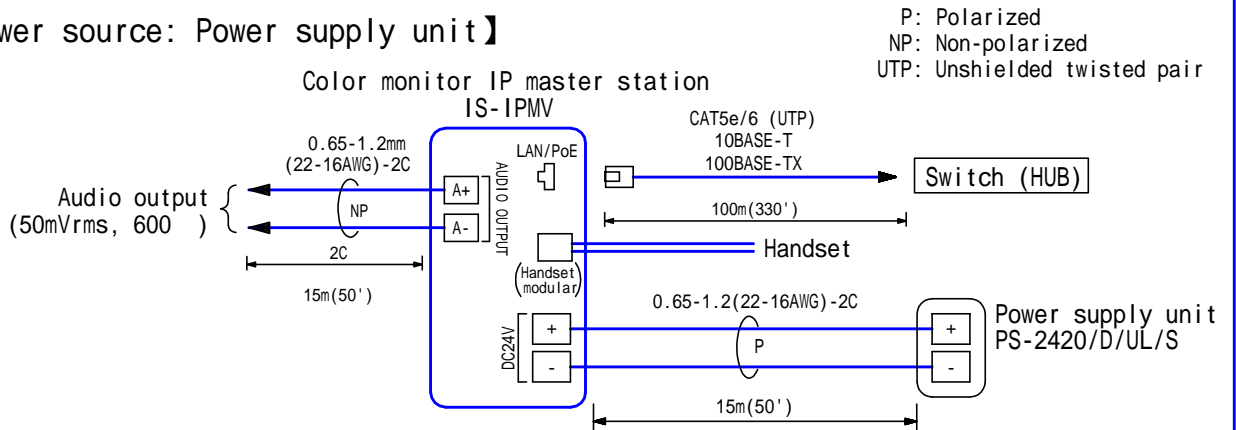


WIRING DIAGRAM

【Power source: PoE】



【Power source: Power supply unit】



DESCRIPTION COLOR MONITOR IP MASTER STATION	FIG. NAME PRODUCT/WIRING DIAGRAM	UNIT mm	DATE 1 September, 2011
MODEL NO. IS-IPMV	FIG.NO. 57307-2-6	PAGE 2/6	REVISION 1
			AIPHONE

RESTRICTIONS

High environmental noise around the master station may prevent proper switching in Hands-free mode. In these circumstances, Press-to-Talk (PTT) mode is recommended.

An IS-IPMV cannot receive two or more calls at a time.

When set to PTT only mode, all communication, including the use of the handset will be PTT. Calling, monitoring or communicating with a door station will prevent other master stations (not called) from being able to monitor that door station.

When in scan-monitoring mode, Zoom/Wide and Pan-tilt controls cannot be operated.

When in scan-monitoring mode, the door release control cannot be operated.

When in (scan-)monitoring mode, the camera field of view will be wide angle even if a pan-tilt/zoom preset has been configured.

When the call-in timeout is set to "0 (No limit)," IP-based calls will occupy an available talk path until the call is acknowledged and communication is finished.

If a call is transferred between sites, it cannot be transferred again.

When all other talk and video channels are occupied, the current communication will be interrupted due to a higher priority call.

No call tone signals from AUDIO OUTPUT (A+, A-).

You cannot transfer a communication to a remote site.

You cannot monitor a remote site.

You cannot make chime paging to the pilot zone in a remote site when the site does not have chime sources.

System setting (or Network setting) by PC is required (For the setting items, refer to "IS-IPC" specification sheet. Setting items differ depending on the system configuration.).

The network setting method differs according to the network environment.

Depending on the network environment, operations may not be carried out normally, such as interrupted audio or video, and delayed frame rate decrease.

Depending on the broadband router, it may not operate.

You need a broadband connection to use this system over the Internet. Also, the broadband router needs a Static Global IP Address.

In a site, up to 32 IP units can be connected.

Download the setting data as a backup copy after you finish making settings or setting changes.

If you do not communicate with remote sites, set [UPnP] to OFF at [Network setting: Common]

Set the static IP address to the IP host unit.

Requirements for IP units to operate them as the units of an identical site.

- The network segments are identical.
- If the network segments are not identical;
 - Multicast packet forwarding setting can be made on a router or Layer 3 switch (a component in this system).
 - This unit uses IGMP V2 for controlling a multicast group (in IPv4).
 - They comply with the protocol of this system for setting up them among points. (e.g., Layer2VPN etc.)

Requirements for a router or Layer 3 switch for interconnecting sites

- For a router or Layer 3 switch (a component in this system) connected to this unit directly;
 - It has a NAT function.
 - UPnP can be set to OFF.
 - It can be set to open ports individually (Protocol: UDP).
 - The number of ports that can be opened differs depending on the system configuration.

Site:

Means an organization set up on a single LAN (IP network).

An entire system can have up to 32 sites connected on an IP network.

We do not recommend using a wireless LAN as it may not operate correctly due to security issues or communication speed delays.

DESCRIPTION	FIG. NAME	UNIT	DATE
COLOR MONITOR IP MASTER STATION	RESTRICTIONS	mm	1 September, 2011
MODEL NO.	FIG.NO.	PAGE	REVISION
IS-IPMV	57307-3-6	3/6	1
AIPHONE			

FUNCTIONS

- Call-in from door, another master or room sub stations turns on the LCD monitor (timeout depending upon system setting).
- Communication initiated by pressing the TALK button or by lifting the handset (timeout depending upon system setting).
- Communication terminated by pressing the OFF button or by putting the handset on the hook.
- Transmit LED (Red) lights while talking (in Hands free communication or pressing the TALK button in Press-to-talk (PTT) mode.).
- Audible tone indication upon forced termination of communication (ex. Due to the incoming of higher priority call or talk path taken by higher priority call/communication).
- Inter-master calling with communication after call tone.
- Inter-master calling and communication with PC master station (IP system).
- Inter site calling and communication with a pilot station (IP system).
- Adjust camera image enhancement by pressing the ADJUST button when the monitor displays the image.
- Switch the image field of view by pressing the ZOOM/WIDE button when the door station video is displayed.
- When in zoomed video mode, the image can be moved horizontally or vertically pressing the Pan & Tilt control button.
- Monitor the selected sub station (Audio/video or audio-only, depending on sub station type) in the same site by pressing the MONITOR button. Monitoring timeout dependant upon system setting.
- Enable Scan-Monitoring for the preset door/room sub stations (max. 20) in the same site by pressing the MONITOR button with no selection, or pressing MONITOR again while monitoring.

Priority Levels

Priority	User-assigned category	Function
High ↓ Low	Urgent	Talk/Paging/Chime/Call/Broadcast
	Priority	Talk/Paging/Chime/Call
	Normal	Talk/Paging/Chime/Call
	——	Monitor (or Scan-Monitor)

Privacy Settings (Privacy 1/Privacy 2)

- Privacy 1: Microphone audio is muted to the calling Master station (direct voice call) until the called Master station replies.
 - Privacy 2: A continuous call tone sounds on the calling Master stations until the called Master station replies.
- Release the door lock by pressing the Door release button any time during receiving a call, monitoring, or communication (Door release timeout depending on system setting).
- View received call and paging history by pressing the left() button (max. 20 items) or placed call and paging history by pressing the right (►) button (Max. 20 items).
- Displayable: (Received or placed) station and site (remote site names only) calls and/or pagings that are confirmed by the (called or calling) master station.
 - Not displayable: Denied station calls, (received) chime or priority level of communication.
- Un-answered call indication by icon displayed on the received call history list.
- Manual transfer of communication to another master station in the same site. Programmable Automatic/Absence call transfer is also available (Sub station call only).
- Paging to other Masters, door and room sub stations, and external devices (PA amplifiers, etc.) connected to the PA output terminals of the IS-CCU/SCU/RCU.
- Programmable zone paging to other master stations, door stations, room sub stations and PA outputs.
- Individual (selective) direct voice call to master, door or room sub station in the same site.
- Zone chime from the master station by using internal sound source of the IS-CCU in the same site.
- Control for contact output from door or room sub station.
- Audio output (600) from master station.
- Display the SEARCH LIST for searching a station, zone or remote site by pressing the LIST button.
- You can search a station or zone in your site by number using the Dial keys.
- You can select a station, zone, or remote site simply by pressing the corresponding Speed dial button.

DESCRIPTION COLOR MONITOR IP MASTER STATION	FIG. NAME FUNCTIONS	UNIT mm	DATE 1 September, 2011
MODEL NO. IS-IPMV	FIG.NO. 57307-4-6	PAGE 4/6	REVISION 1 AIPHONE

You can send e-mails to the designated mail addresses in the following events.

- When calling(*)
- When a calling is unsuccessful
- When a error occurs among units
- When the system starts up

Each of these events that has occurred in the previous 60 seconds is summarized and sent in an e-mail.

(*)When there is a door call at an IP video door station, an e-mail will be sent with a snapshot (QVGA JPEG) at the station attached.

When both [CALL TRANSFER] and [SCHEDULE TRANSFER] are set, [SCHEDULE TRANSFER] takes priority.

Master stations LED & LCD monitor display list.

	LCD Monitor *1	Status LED	PRIVACY LED	TRANSFER LED *2	Transmit LED *3	Note
Initialize	OFF	Lighting Blinking(Red) *4	OFF	OFF	OFF	
Standby	OFF *5	OFF *6	OFF Set:Lit(Red)	OFF Set:Lit(Red)	OFF	
Error	ON *7 OFF	Blinking(Red) *16~21, OFF	—	—	—	
Initial setting	ON	OFF	OFF Set:Lit(Red)	OFF Set:Lit(Red)	OFF	
Door call (Normal)	ON *8	Blinking(Red) *9	OFF Set:Lit(Red)	OFF Set:Lit(Red)	OFF	
Door call (Priority)						
Door call (Urgent)						
Communication with door	ON *8	Lit(Red)	OFF *10 Set:Lit(Red) Mute:Icon on LCD	Transfer:Icon on LCD LED blinking(Red) Set:Lit(Red)	Rx:OFF Tx:Lit(Red)	
Door monitoring	ON *8	Lit(Red)	OFF Set:Lit(Red)	OFF Set:Lit(Red)	OFF	
Room sub call (Normal)	ON	Blinking(Red) *9	OFF Set:Lit(Red)	OFF Set:Lit(Red)	OFF	
Room sub call (Priority)						
Room sub call (Urgent)						
Communication with Room sub	ON	Lit(Red)	OFF *10 Set:Lit(Red) Mute:Icon on LCD	Transfer:Icon on LCD LED blinking(Red) Set:Lit(Red)	Rx:OFF Tx:Lit(Red)	
Communication with another master station	ON	Lit(Red)	OFF *11 Set:Lit(Red) Mute:Icon on LCD	Transfer:Icon on LCD LED blinking(Red) Set:Lit(Red)	Rx:OFF Tx:Lit(Red)	
Chime/Paging receive	ON *12	Lit(Red)	OFF Set:Lit(Red)	OFF Set:Lit(Red)	OFF	
Paging transmit	ON *1 Icon on LCD	Lit(Red)	OFF *11 Set:Lit(Red) Mute:Icon on LCD	OFF Set:Lit(Red)	Lit(Red)	
Communication time out	ON *13 Icon on LCD	Lit(Red)	OFF Set:Lit(Red) Mute:Icon on LCD	Transfer:Icon on LCD Set:Lit(Red)	Rx:OFF Tx:Lit(Red)	10 seconds before
Processing	ON *14	—	—	—	OFF	
Call inoperative	ON *1 Icon on LCD	OFF	OFF Set:Lit(Red)	OFF Set:Lit(Red)	OFF	
Current talk path interrupted	ON *15 Icon on LCD	OFF	OFF Set:Lit(Red)	OFF Set:Lit(Red)	OFF	

Rx: When listening Tx: When talking UA: Unanswered call

*1.When all talk channels are occupied, Master station LCD displays the status.

*2.Lit when the call transfer is set to ON and the destination is set. When the scheduled transfer is set to on, lit during transferring only.

DESCRIPTION COLOR MONITOR IP MASTER STATION	FIG. NAME FUNCTIONS	UNIT mm	DATE 1 September, 2011
MODEL NO. IS-IPMV	FIG.NO. 57307-5-6	PAGE 5/6	REVISION 1 AIPHONE

- *3.The transmit LED turns on when hands-free or PTT communication is made. It does not, however, turn on when the Handset is used for communication (unless communication is in PTT mode).
- *4.-When the initialization failed, the blinking (Red) continues.
 - When the required signal was not detected, blinking (Red) and transmission error indication by icon on LCD continues until state recovery.
 - The status returns to the standby mode after timeout, by replacing the Handset or by pressing the OFF button.
- *5.The time is displayed on the LCD when inactive button in standby mode (with no display on the LCD) is pressed (ex. When the Door release button is pressed in the standby mode).
- *6.Blinking (Red), when history of un-answered call(s) has(have) not been checked.
- *7.Error display appears on the LCD due to transmission error(s) between units.
- *8.With audio door station or room sub station: Screen notification display without entrance image.
- *9.Blinking patterns are different.
- *10.No Privacy setting during communication with Door station or Room sub station but microphone can be muted (Icon appears on LCD) during pressing PRIVACY button.
- *11.-When PRIVACY mode is not set : Muted microphone indication by icon is displayed on the master station's LCD by pressing PRIVACY button while communicating.
 - When Privacy mode is set: Privacy mode can not be deactivated even by pressing Privacy button while communicating.
- *12.Displayed when receiving Paging or Chime tone.
- *13.Advance notification by text, icon or screen display appears before communication or paging timeout.
- *14.Advance notice by text, icon or screen display appears during data transmission processing.
- *15.Lit when the current talk path is interrupted due to a higher priority call/communication of another station.
- *16.When configuration file was not acquired from the host IP unit
 - Blinking continues.
- *17.No supervisory
 - Blinking until state recovery.
- *18.No REGISTER response from SIP server
 - Blinking until state recovery.
- *19.When not registered to SIP server.
 - Blinking until state recovery.
- *20.When the transmission error was not acknowledged within timeout
 - The status returns to the standby mode after timeout, by replacing the Handset or by pressing the OFF button.
- *21.No signal was detected from DHCP server (When DHCP is set to ON).
 - Blinking until state recovery.

SETTING

- Screen brightness (1~10, Initial settings:6)
- Receive volume (1~10 or OFF, Initial settings:6)
- Call tone volume (1~10 or OFF, Initial settings:6)
- Initial setting

<Initial Settings>

*: Default setting

Call tone settings

- Door call: Normal(1*/ 2/ 3/ 4/ 5/ 6)
- Door call: Priority(1/ 2*/ 3/ 4/ 5/ 6)
- Door call: Urgent(1/ 2/ 3*/ 4/ 5/ 6)
- Room sub call: Normal(1/ 2/ 3/ 4*/ 5/ 6)
- Room sub call: Priority(1/ 2/ 3/ 4/ 5*/ 6)
- Room sub call: Urgent(1/ 2/ 3/ 4/ 5/ 6*)

Communication method (Hands-free or PTT*/ PTT only)

Display setting

- Language(English*/French/Spanish/Dutch/German/Italian/Japanese)
- Un-answered call(s) LCD display (ON/OFF*)
- Display order(In order of Name or No.*)

Speed dial settings

- Speed dial settings(Station/Zone/Remote site)

Call transfer settings

- Call transfer (ON/OFF*)
- Call transfer destination (1 destination(master station) in the same site or 1 remote site)
- Call transfer delay (00*~60 seconds)
- Schedule transfer (ON/OFF*)
- Schedule transfer destination (1 destination(master station) in the same site or 1 remote site)
- Telephone transfer (ON/OFF*) (IP system only)
- Schedule Tel transfer (ON/OFF*) (IP system only)

Privacy settings

- Privacy mode (Privacy 1/Privacy 2/OFF*)
- Privacy 2 call tone settings(1/ 2/ 3/ 4*/ 5/ 6)

DESCRIPTION	FIG. NAME	UNIT	DATE
COLOR MONITOR IP MASTER STATION	FUNCTIONS/SETTING	mm	1 September, 2011
MODEL NO.	FIG.NO.	PAGE	REVISION
IS-IPMV	57307-6-6	6/6	1
AIPHONE			