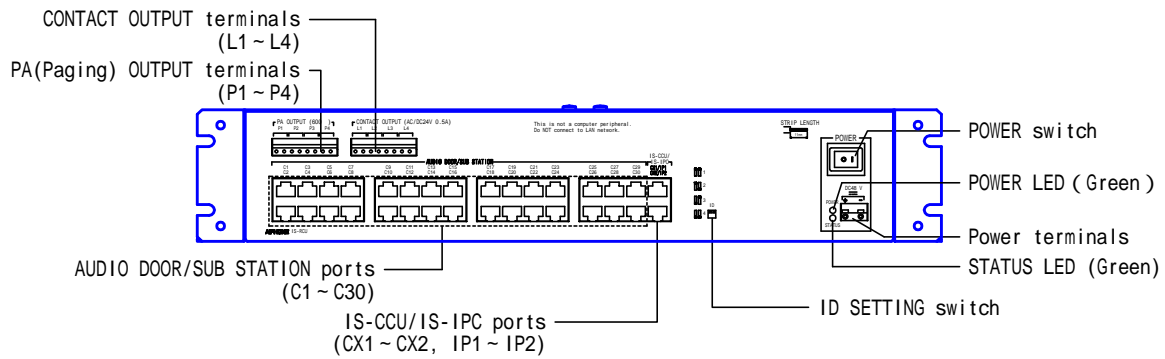
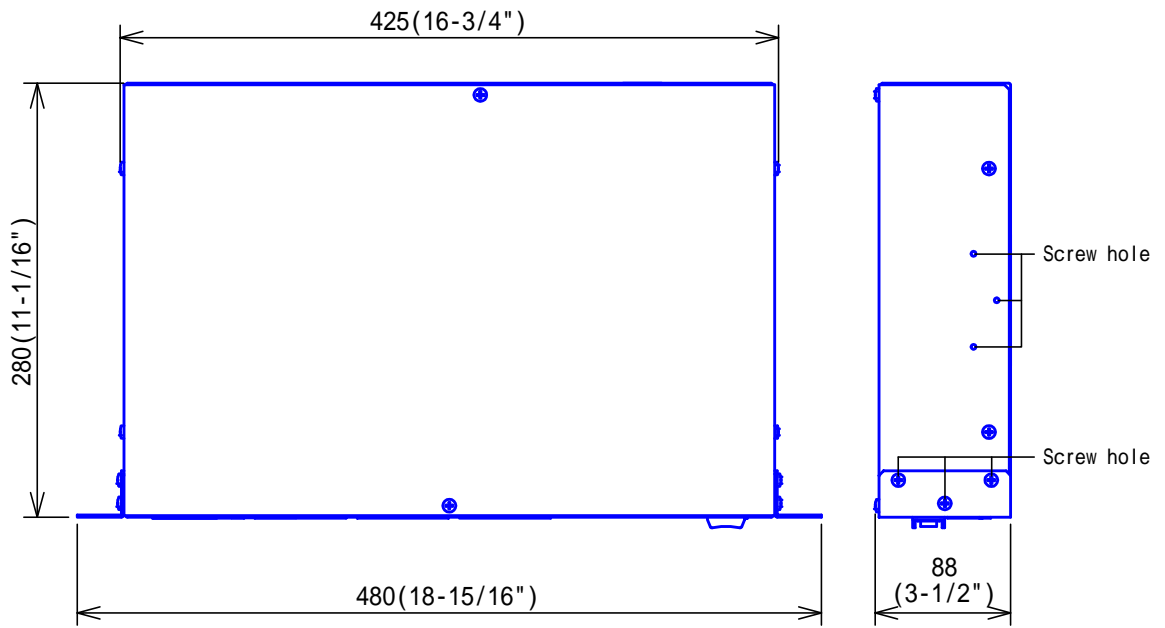


PRODUCT DRAWING



SPECIFICATIONS

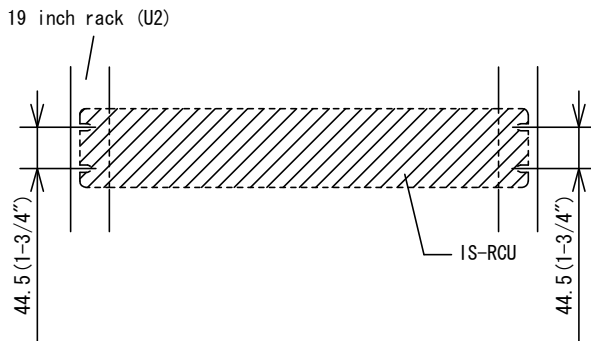
Power source	48V DC.(Supplied from the Power supply unit)
Current consumption	Max. 1.8A
Talk channels	Local system: 2 talk channels, 1 chime (When connected to IS-CCU or IS-IPC)
Audio door/Room sub station(s)	Max.30
Mounting	Rack-mount(19-inch, 2U rack) or wall mount
Ambient temperature	0 ~ 40 (+32 ° F ~ +104 ° F)
Material	Steel plate
Color	Black
Weight	4.0kg (8.82 lbs)(approx.)

DESCRIPTION	FIG. NAME	UNIT	DATE
ROOM SUB CONTROL UNIT	PRODUCT/SPECIFICATIONS	mm	25 February, 2011
MODEL NO.	FIG.NO.	PAGE	REVISION
IS-RCU	01854-1-4	1/4	1

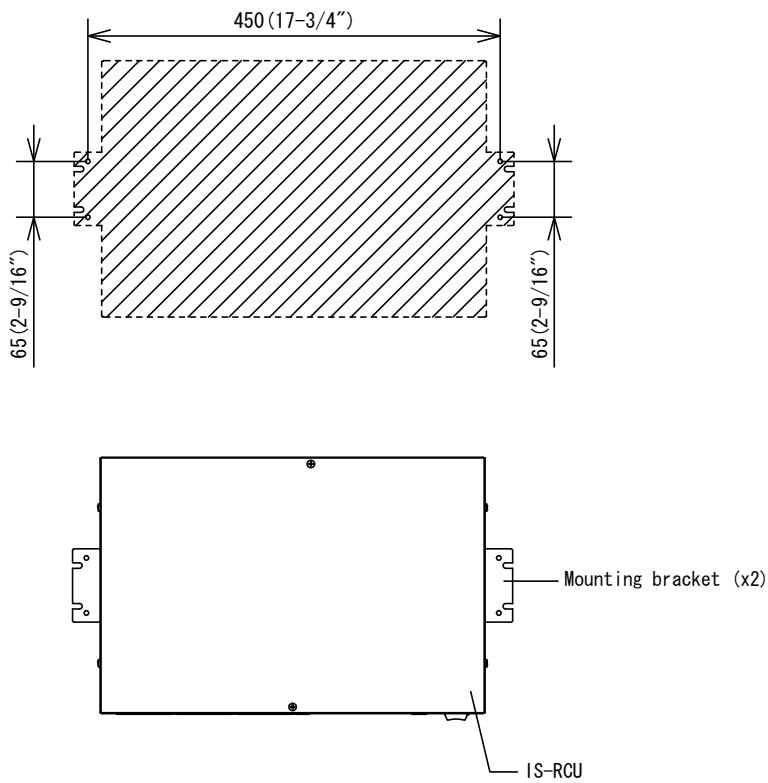
AIPHONE

● MOUNTING

▪ Rack-mounting

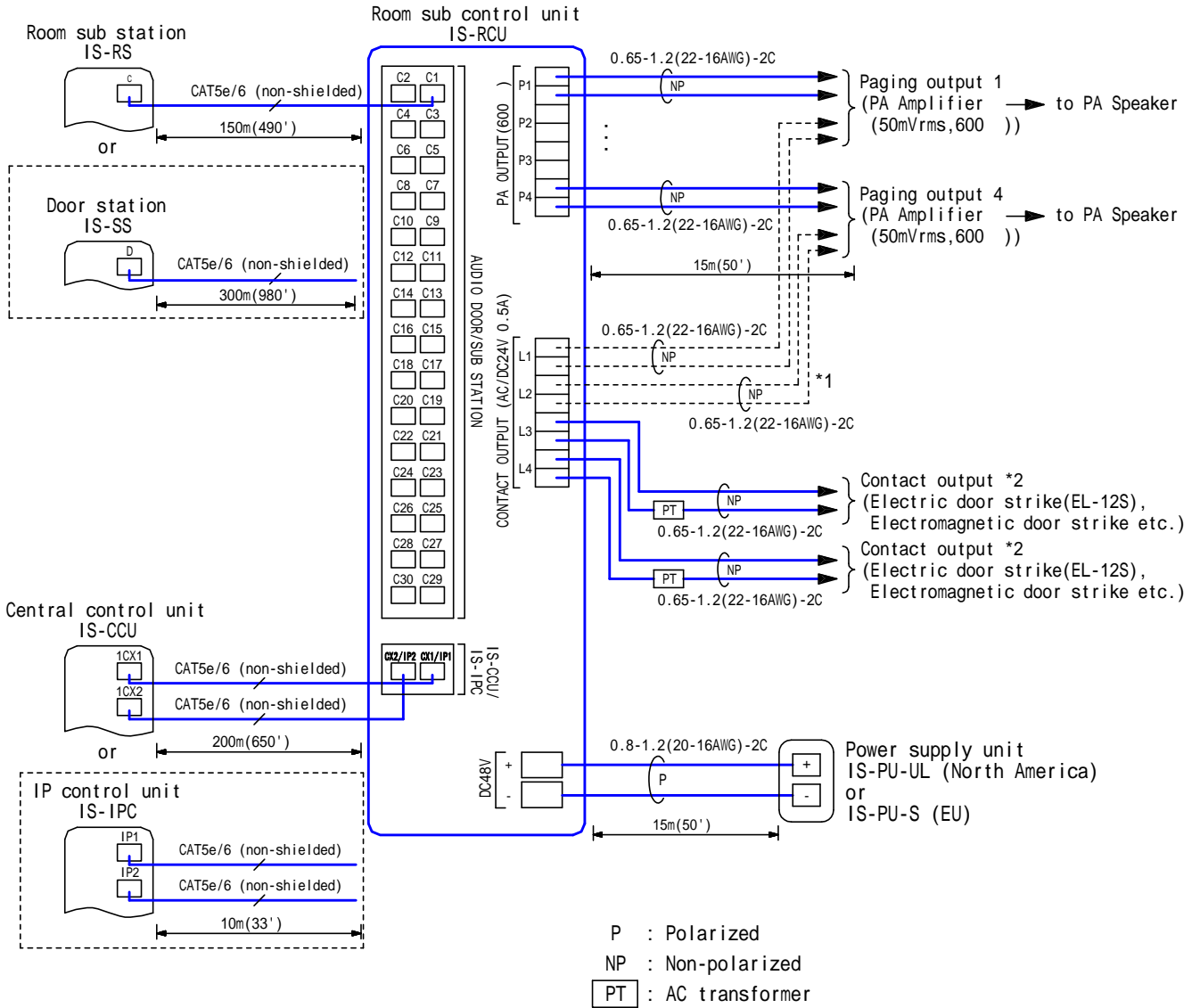


▪ Wall-mounting



DESCRIPTION ROOM SUB CONTROL UNIT	FIG. NAME PRODUCT DRAWING	UNIT mm	DATE 25 February, 2011
MODEL NO. IS-RCU	FIG. NO. 01854-2-4	PAGE 2/4	REVISION 1
			AIPHONE

WIRING DIAGRAM



*1. When the PA Amplifier needs the external trigger input for the activation.

*2. Output specifications

Output method	N/O or N/C dry closure contact
Voltage between terminals	24V AC, 0.5A (resistive load)
	24V DC, 0.5A (resistive load)
	Minimum overload (AC/DC): 100mV, 0.1mA

RESTRICTIONS

System settings by PC (Connected to the IS-CCU) is required.

DESCRIPTION ROOM SUB CONTROL UNIT	FIG. NAME WIRING/RESTRICTIONS	UNIT mm	DATE 25 February, 2011
MODEL NO. IS-RCU	FIG.NO. 01854-3-4	PAGE 3/4	REVISION 1

AIPHONE

FUNCTIONS

POWER LED and STATUS LED list

Status	POWER LED	STATUS LED
Initialize	Lit (Green)	Blinking (Green)
Standby		Lit (Green)
Error		Blinking (Green) *

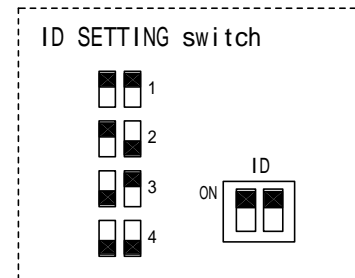
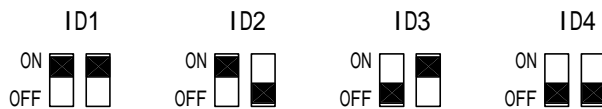
*.Error display list of STATUS LED

Connected unit	Status	LED display	Until state recovery
Central control unit	Initialization failed; required signal was not detected	Blinking (Green)	Blinking continues
	No supervisory		
Door or room sub station	Required signal was not detected		

SETTINGS

ID setting(ID1 ~ ID4) ID SETTING switch 1 ~ 4

*ID number to be set must correspond to the connected port number of the IS-CCU.



- Room sub control unit ID1:
When connected to the Ports "1CX1 and 1CX2" of the IS-CCU.
- Room sub control unit ID2:
When connected to the Ports "2CX1 and 2CX2" of the IS-CCU.
- Room sub control unit ID3:
When connected to the Ports "3CX1 and 3CX2" of the IS-CCU.
- Room sub control unit ID4:
When connected to the Ports "4CX1 and 4CX2" of the IS-CCU.

DESCRIPTION ROOM SUB CONTROL UNIT	FIG. NAME FUNCTIONS/SETTINGS	UNIT mm	DATE 25 February, 2011
MODEL NO. IS-RCU	FIG.NO. 01854-4-4	PAGE 4/4	REVISION 1
			AIPHONE