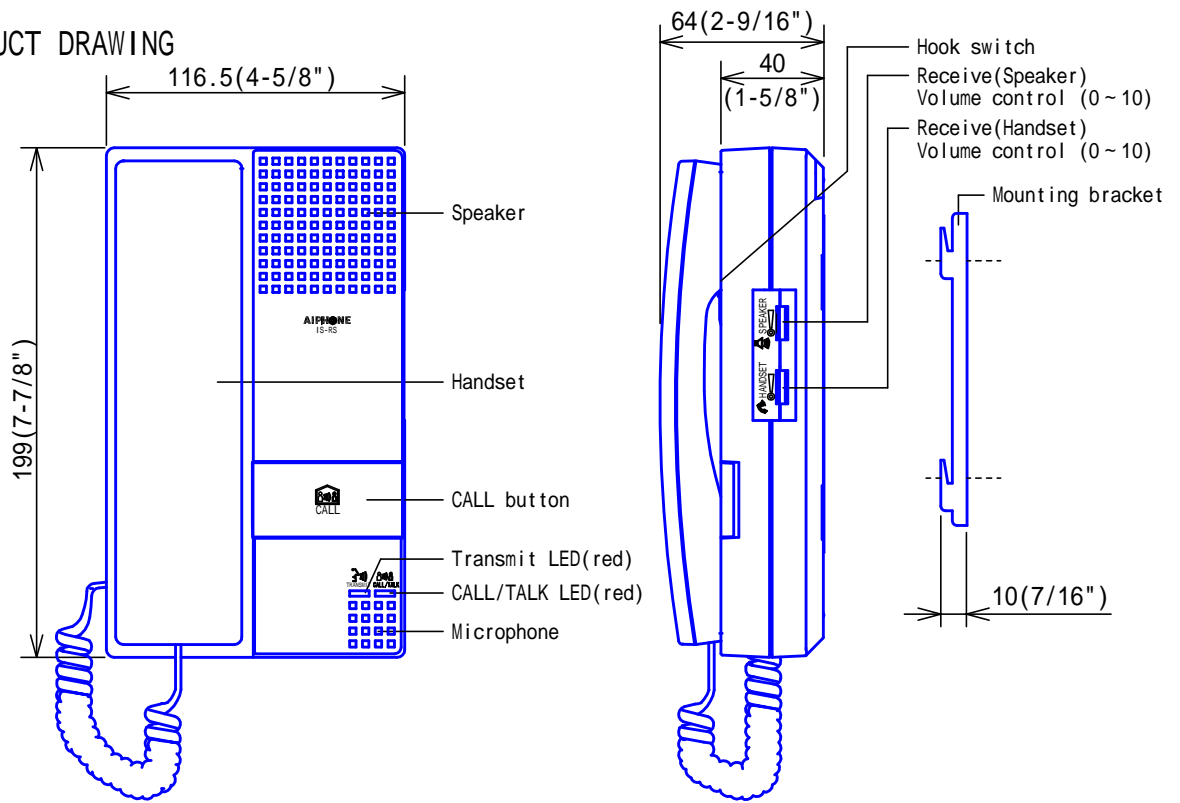
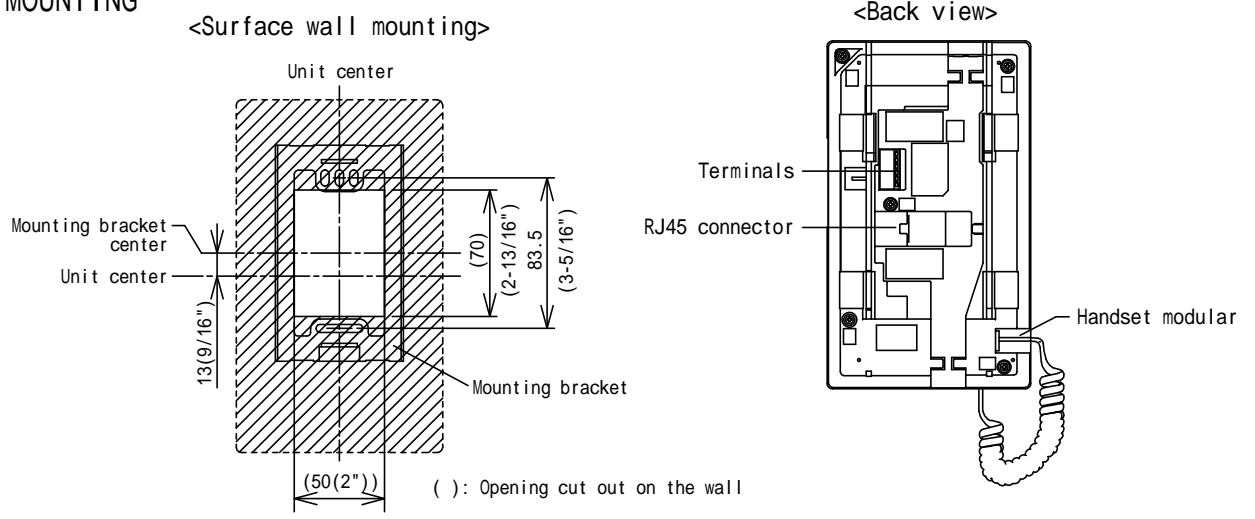


PRODUCT DRAWING



MOUNTING



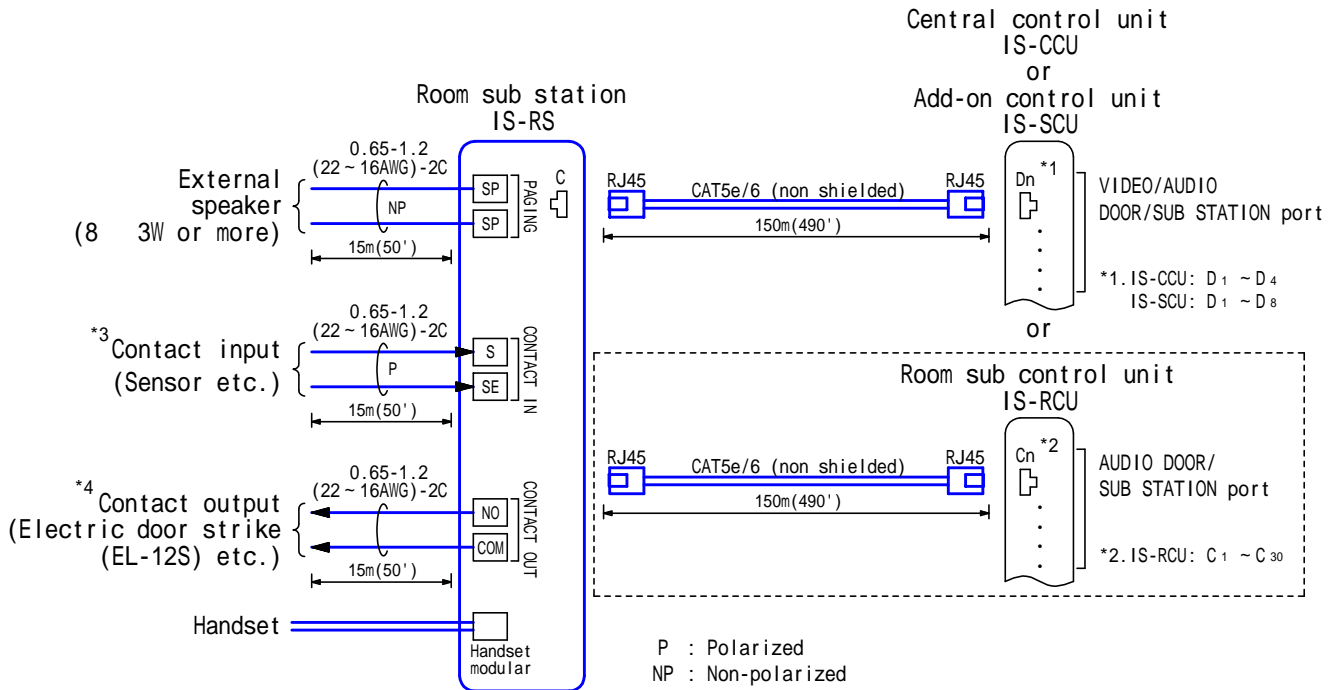
SPECIFICATIONS

Power source	Supplied from Central control unit, Add-on control unit or Room sub control unit
Communication	Handset: Simultaneous Communication Hands-free: Auto-voice actuation
Ambient temperature	0 ~ 40 (+32 ° F ~ +104 ° F)
Mounting	Surface wall mount (Directly to wall or electrical box)
Electrical box	1-gang box
Material	Flame resisting ABS resin
Weight	530g (1.17 lbs.)(approx.)
Color	Black

DESCRIPTION ROOM SUB STATION	FIG. NAME PRODUCT/SPECIFICATIONS	UNIT mm	DATE 25 February, 2011
MODEL NO. IS-RS	FIG.NO. 57299-1-3	PAGE 1/3	REVISION 1

AIPHONE

WIRING DIAGRAM



*3. Input specifications

Input method	N/O or N/C dry closure contact (start signal only detection method)
Detection confirmation time	100 msec or more
Contact resistance	During N/O dry closure: Less than 700 During N/C dry closure: At least 4 k
Terminal short current	Less than 10 mA
Voltage between terminals	Less than 5 V DC (when open between terminals)

*4. Output specifications

Output method	N/O dry closure contact
Voltage between terminals	24V AC, 0.5A (resistive load) 24V DC, 0.5A (resistive load) Minimum overload (AC/DC): 100mV, 0.1mA

RESTRICTIONS

IS-RS room sub station is exclusively used with IS Series Master stations.

DESCRIPTION ROOM SUB STATION	FIG. NAME WIRING/RESTRICTIONS	UNIT mm	DATE 25 February, 2011
MODEL NO. IS-RS	FIG.NO. 57299-2-3	PAGE 2/3	REVISION 1

AIPHONE

FUNCTIONS

Initiating a call to and entering communication with Master station, IP master station, PC master station or telephone (in standard (IP) system, North America only).

It can ring multiple Master stations(programmable, up to 20 masters)

Inter site calling and communication (standard (IP) system)

CALL/TALK LED and Transmit LED display List

Status	CALL/TALK LED	Transmit LED *1
Initialize	OFF	OFF
Standby	OFF	OFF
Error	Blinking(Red) *2 *3	—
Room sub monitor (Audio only)	OFF	Lit(Red)
Room sub scan-monitor (Audio only)	OFF	Lit(Red)
Room sub call(Normal)	Blinking(Red) *6	OFF
Room sub call(Priority)		
Room sub call(Urgent)		
Room sub call denied	Lit(Red) *4	OFF
Communication	Lit(Red)	Transmit: Lit(Red) Receive: OFF
Communication transfer	Lit(Red)	OFF
Chime(incoming)	Lit(Red)	OFF
Paging(incoming)	Lit(Red)	OFF
Forced termination	Lit(Red) *5	OFF

*1.The transmit LED turns on when hands-free communication is made. It does not, however, turn on when the Handset is used for communication.

*2.When transmission error (No transmission from or to the control unit) occurs, the blinking continues until state recovery

*3.The LED returns to the standby mode after error indication timeout or by replacing the handset.

*4.The indication of the room sub call continues until "Room sub call denied" is acknowledged.

*5.Lit when the current talk path is interrupted due to a of higher priority operation of another station.

*6.Blinking patterns are different.

DESCRIPTION ROOM SUB STATION	FIG. NAME FUNCTIONS	UNIT mm	DATE 25 February, 2011
MODEL NO. IS-RS	FIG.NO. 57299-3-3	PAGE 3/3	REVISION 1
			AIPHONE