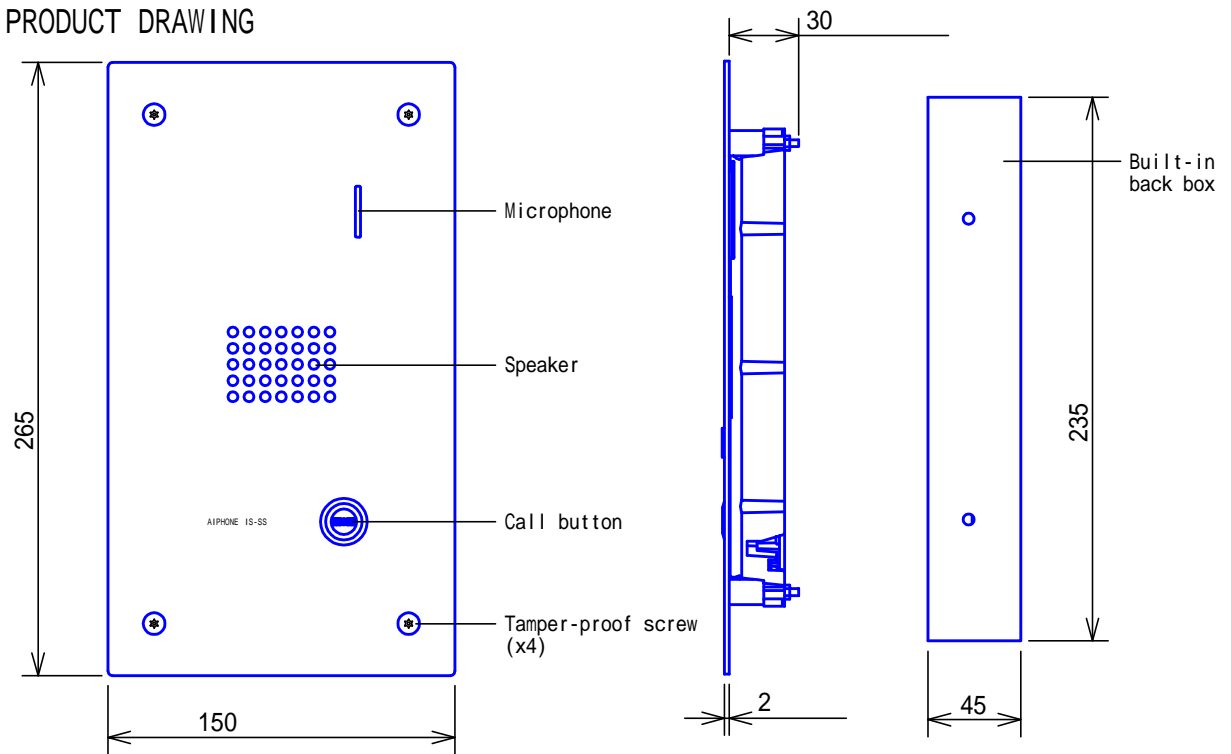
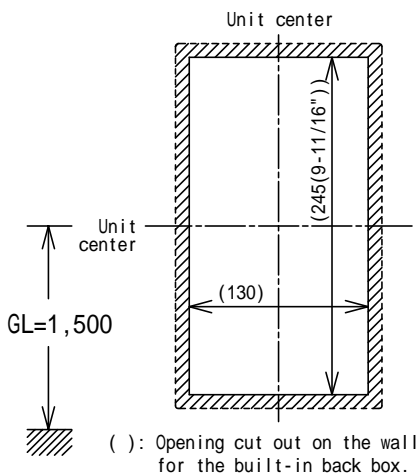


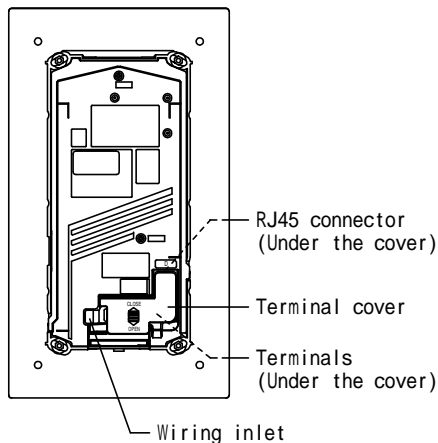
PRODUCT DRAWING



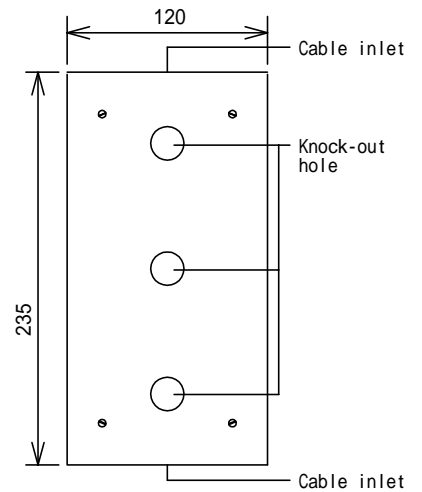
MOUNTING



<Back view>



<Back view(Built-in back box)>



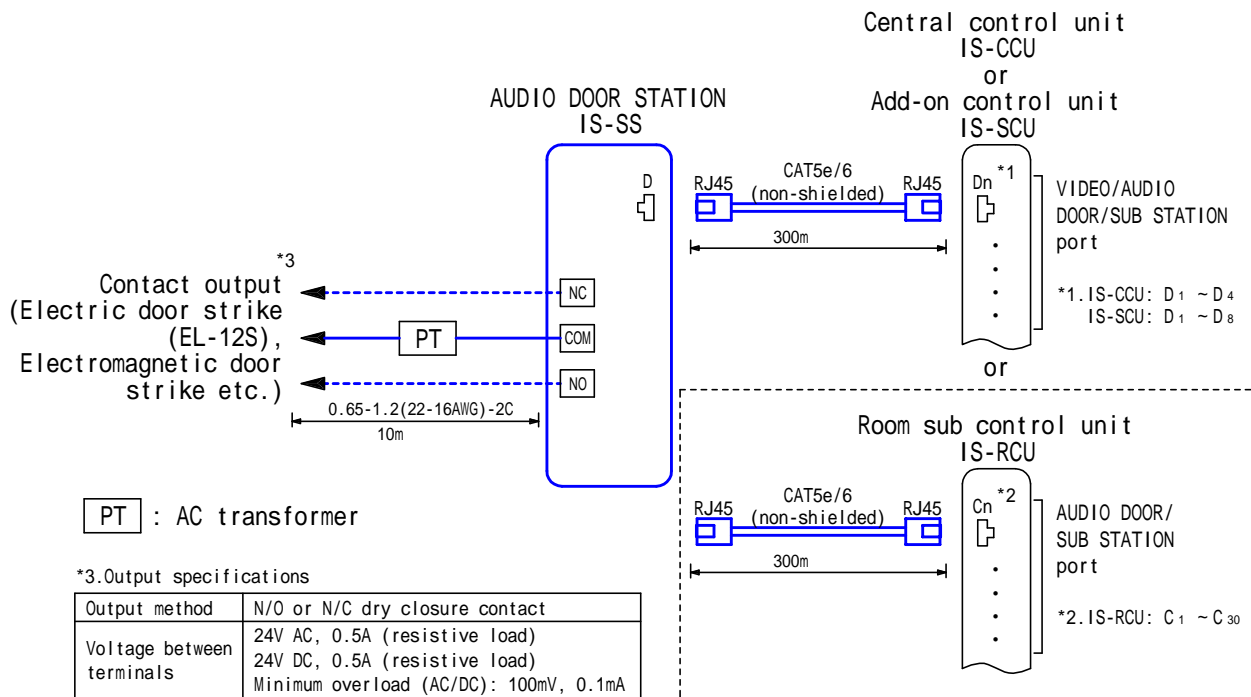
SPECIFICATIONS

Power source	Supplied from Central control unit, Add-on control unit or Room sub control unit.
Communication	Open voice hands-free communication
Ambient temperature	-10 ~ 60
Mounting	Flush mount
Electrical box	Not used (Mounts on built-in back box.)
Material	Front panel: Stainless steel. Main unit: Flame resisting PC + ABS resin
Weight	820g (approx.), back box 600g (approx.)
Color	Front panel: Silver (Stainless steel, vertical hair-line processed.) Back box: Black
Remarks	Weather-resistant

DESCRIPTION AUDIO DOOR STATION (Vandal-resistant)	FIG. NAME PRODUCT/SPECIFICATIONS	UNIT mm	DATE 23 February, 2011
MODEL NO. IS-SS	FIG.NO. 52788-1-2	PAGE 1/2	REVISION 1

AIPHONE

WIRING DIAGRAM



RESTRICTIONS

IS-SS door station is exclusively used with IS Series Master stations.

FUNCTIONS

Initiating a call to and entering communication with Master station, IP master station, PC master station or telephone (in standard (IP) system. North America only).
It can ring multiple Master stations(programmable, up to 20 masters)
Inter site calling and communication (standard (IP) system)

DESCRIPTION AUDIO DOOR STATION (Vandal-resistant)	FIG. NAME WIRING/RESTR./FCN.	UNIT mm	DATE 23 February, 2011
MODEL NO. IS-SS	FIG.NO. 52788-2-2	PAGE 2/2	REVISION 1
			AIPHONE