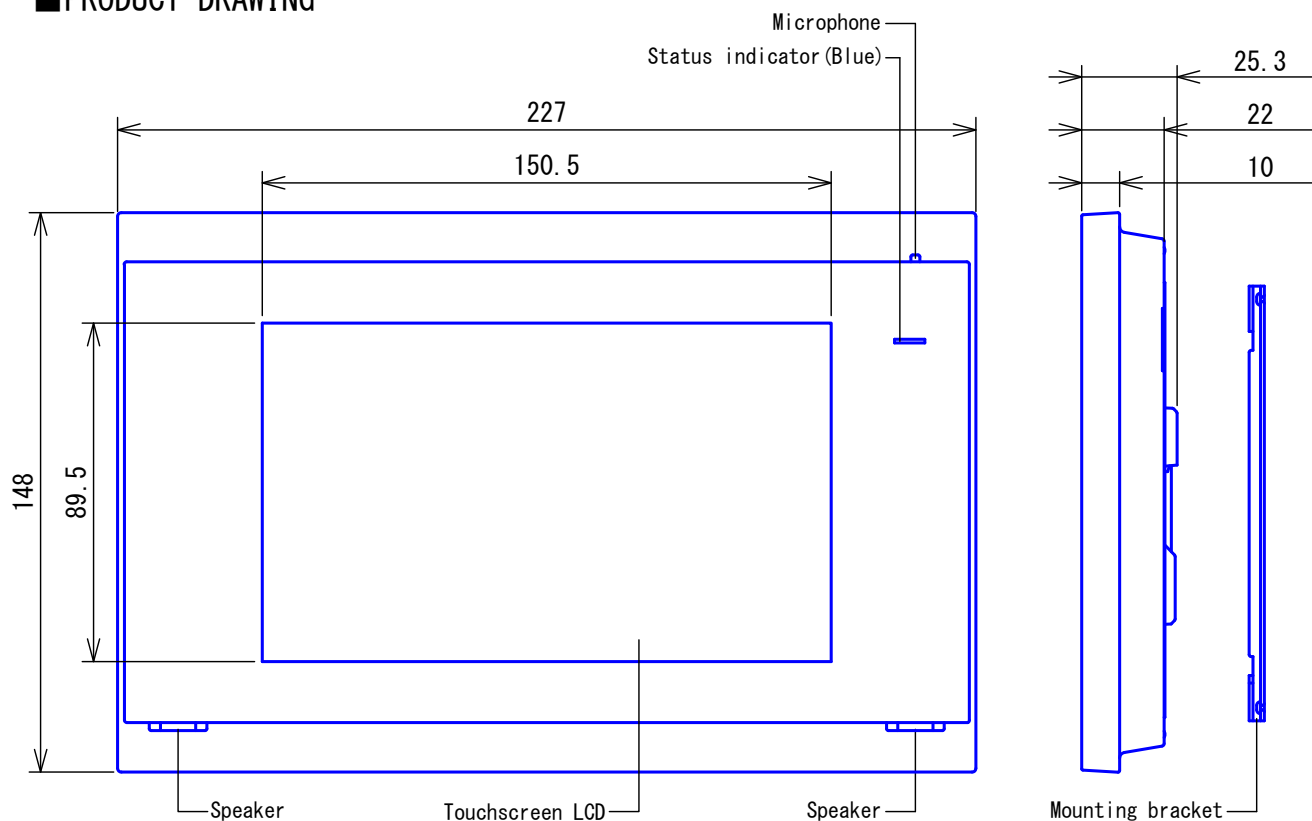


CAUTION: This is a preliminary specification sheet. All information subject to change without notice.

■ PRODUCT DRAWING

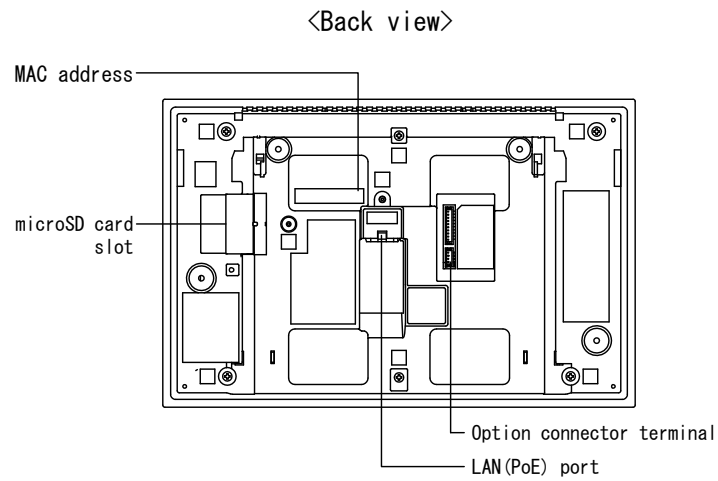


■ SPECIFICATIONS

Power source	Power-over-Ethernet (IEEE 802.3af Class 0)
Current consumption	Standby 5.3W, Max 12.0W (48 VDC)
Type of communication	Full-duplex
Monitor	7 inch TFT LCD display
Monitor resolution	WVGA 800 x 480 (Approx. 1.15 million pixels)
LAN	Ethernet (10BASE-T, 100BASE-TX), Auto MDI/MDI-X-compatible
Audio codec	G.711 (μ -law, A-law)
Video codec	H.264 BP/MP/HP, motion JPEG
Protocol	IPV4/V6, TCP, UDP, SIP, HTTP/HTTPS, RTSP, RTP/RTCP, IGMP, MLD, SMTP, FTP, DHCP, NTP, DNS, TLS
Encryption method	TLS1.0, TLS1.1, TLS1.2
Packet delivery	Unicast, Multicast
Number of stations in address book	Max. 500 rooms
Number of buildings	Max. 99 buildings
Number of stations per room	8 stations and 8 mobile applications
Ambient temperature	0 - 40°C
Mounting	Wall-mount
Electrical box	3-gang box
Material	Self-extinguishing PC+ABS resin
Unit color	Snow white (5Y9.3/0.1 Munsell Approximation)
Weight	Approx. 560g
Remarks	ONVIF Profile S supported

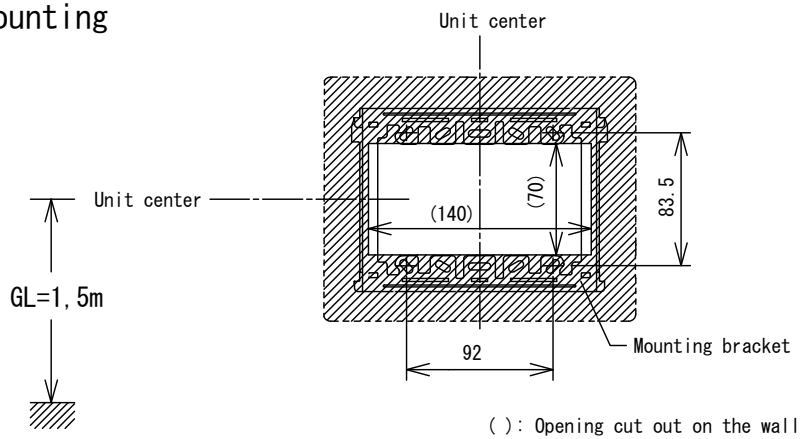
DESCRIPTION VIDEO TENANT STATION	FIG. NAME PRODUCT DRAWING/SPEC.	UNIT mm	DATE 5 September, 2019
MODEL NO. IXG-2C7	FIG. NO. IXG-2C7-1-5	PAGE 1/5	REVISION 1
			AIPHONE

CAUTION: This is a preliminary specification sheet. All information subject to change without notice.



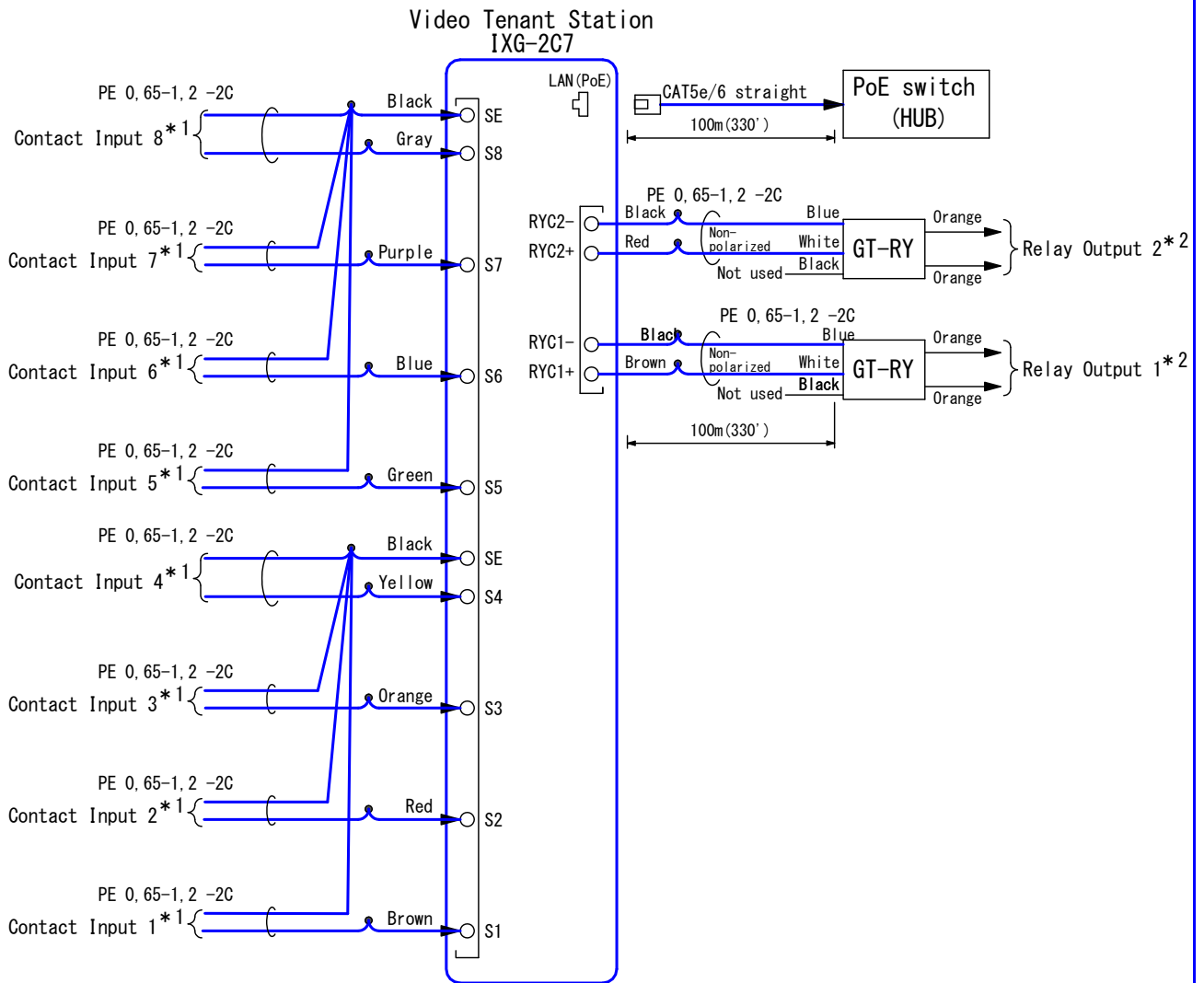
● MOUNTING

▪ Wall-mounting



DESCRIPTION VIDEO TENANT STATION	FIG. NAME PRODUCT DRAWING	UNIT mm	DATE 5 September, 2019
MODEL NO. IXG-2C7	FIG. NO. IXG-2C7-2-5	PAGE 2/5	REVISION 1
			AIPHONE

■ WIRING DIAGRAM



*1. Contact Input Specifications

Input method	Programmable dry contact (N/O or N/C)
Detection time	Level detection method
Detection time	200 msec or more
Contact resistance	Make: 700 Ω or less Break: 3 kΩ or more
Terminal short-circuit current	10 mA or less
Voltage between terminals	5.5 VDC or less (between open terminals)

*2. Relay Output Specifications (GT-RY)

Output method	Form A dry contact (N/O)
Contact rating	24 VAC, 0.5A (resistive load) 24 VDC, 0.5A (resistive load)

DESCRIPTION VIDEO TENANT STATION	FIG. NAME WIRING DIAGRAM	UNIT mm	DATE 5 September, 2019
MODEL NO. IXG-2C7	FIG. NO. IXG-2C7-3-5	PAGE 3/5	REVISION 1

AIPHONE

■ RESTRICTIONS

- A PoE-compatible switch must be used as the switch (hub) for station connection.
- A computer is required to make system settings.
IXG system can be configured in "IXG Support Tool" application.
- While updating the System settings, stations unavailable.
- Do not register unused units in the address list. If unused units are present in the address list, system performance will degrade.
- In order to audio or video record, the following microSD memory card (market goods) compliant with SD standard is necessary.

Standard	Supported storage capacity	Format	Speed Classes
microSDHC memory card	4GB to 32GB	FAT32	SD speed class 10

■ RESTRICTIONS ABOUT THE NETWORK

- When connecting via the Internet (global IP networks), VPN Service is necessary.
- We do not recommend using a wireless communication such as wireless LAN as it may not operate correctly due to security issues or communication speed delays.
- For IPv4 Address with DHCP, due to the architecture of the IXG system, DHCP configuration is only recommended for network environments utilizing managed (static) IP address leasing.
- For stateless IPv6 Address, do not change the prefix of the device so that it cannot transmit Router Advertisement (RA).
- For IPv6 Address with DHCP, due to the architecture of the IXG system, DHCP configuration is only recommended for network environments utilizing managed (static) IP address leasing.
The DUID of the device: 00030001 + MAC address
- Depending on the network environment and computer, prior arrangements and setup operations involving the network administrator might be necessary.
- Depending on the network environment, operation delays might occur.
- Depending on the network environment or other factors, audio or video dropout, delays, lower frame rates, or other loss of correct operation might occur.
- The protocols used by this system must be supported.
- The network bandwidth required by each device when communicating are as follows.
G. 711 : 64kbps x 2 (in communication), 64kbps x stations (on page)
- IPv4 and IPv6 cannot be mixed in the same system.
- When using multicasting for network-camera searches, video, or audio, use in an environment that does not reject IGMPv3 or MLDv2.

DESCRIPTION VIDEO TENANT STATION	FIG. NAME RESTRICTIONS	UNIT mm	DATE 5 September, 2019
MODEL NO. IXG-2C7	FIG. NO. IXG-2C7-4-5	PAGE 4/5	REVISION 1
			AIPHONE