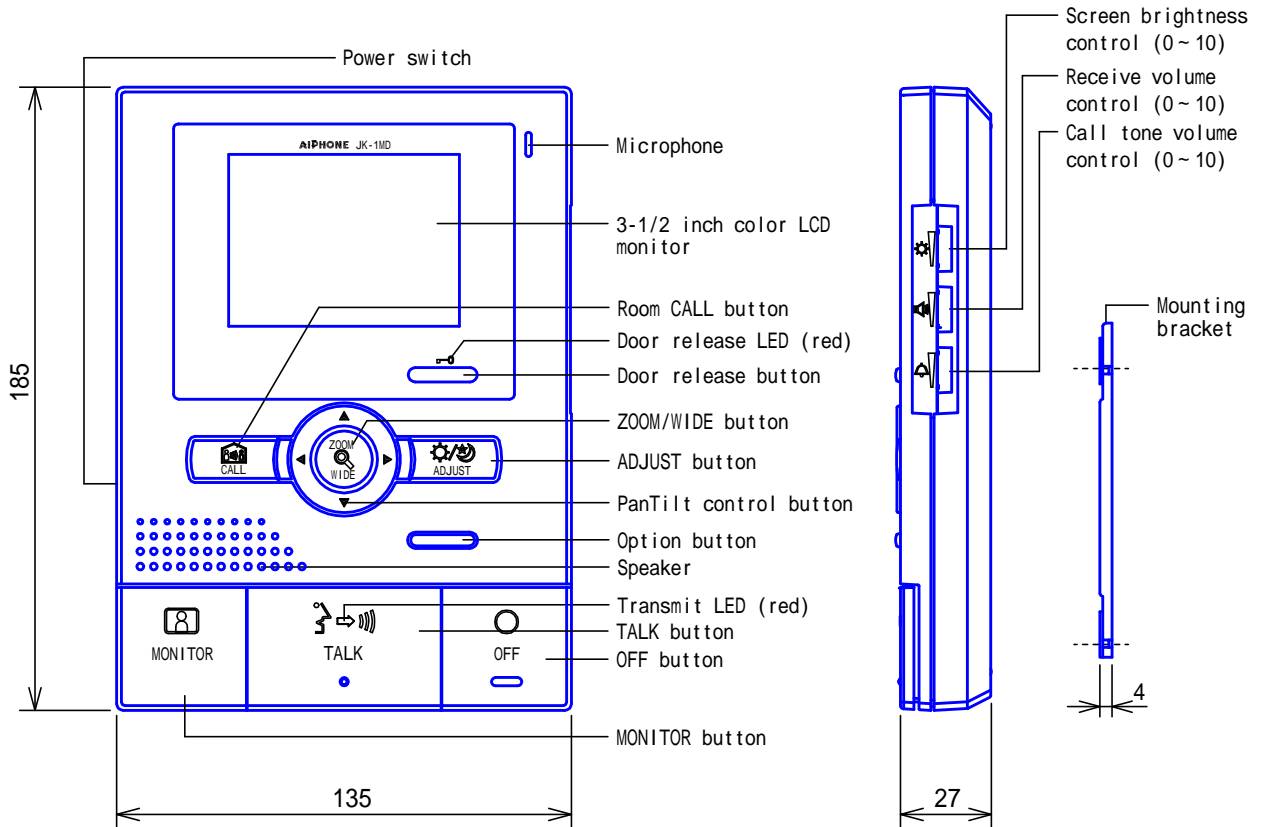
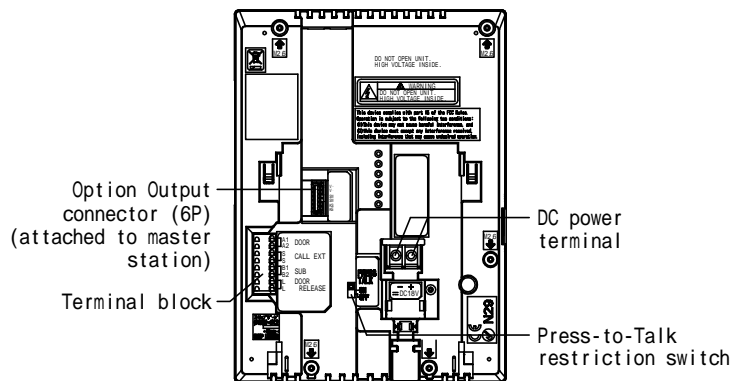
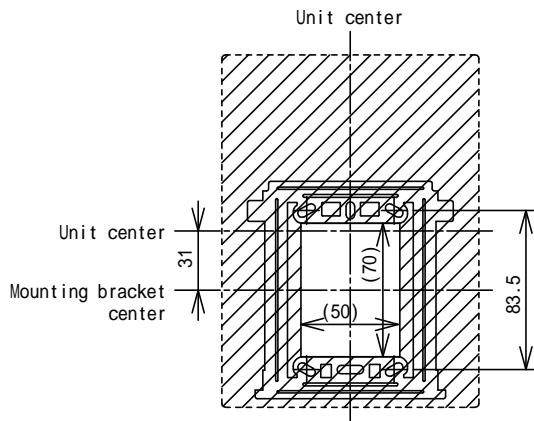


PRODUCT DRAWING



MOUNTING



(): Opening cut out on the wall.

DESCRIPTION MASTER STATION (Color monitor)	FIG. NAME PRODUCT DRAWING	UNIT mm	DATE 25 December, 2008
MODEL NO. JK-1MD	FIG.NO. 56809-1-4	PAGE 1/4	REVISION 1
			AIPHONE

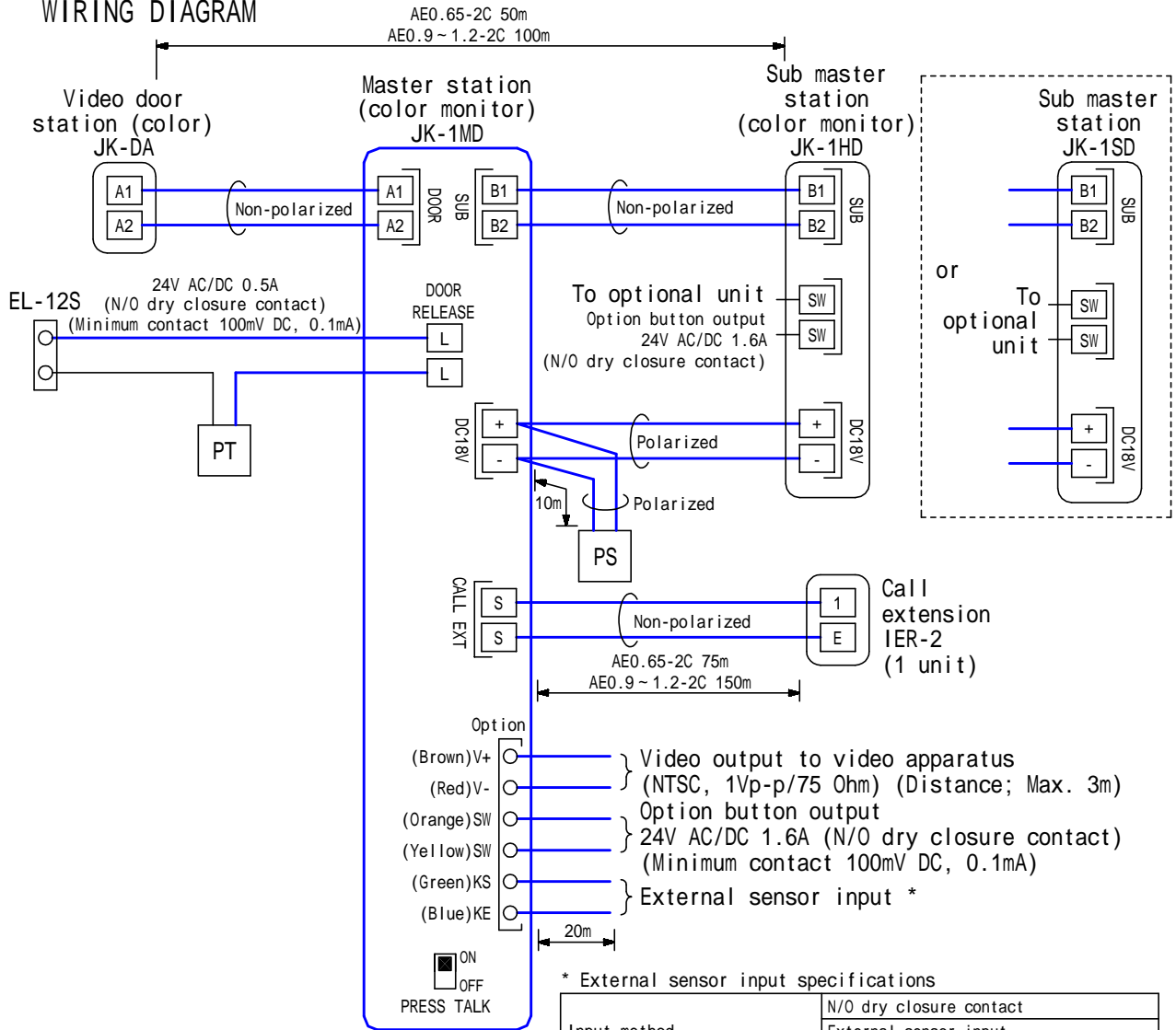
SPECIFICATIONS

Power source	18V DC, Supplied from a power supply
Power consumption	400mA (max.)
Video monitor	3-1/2 inch TFT color LCD
Pixels	230,000 pixels
Type of communication	Open voice hands-free auto-voice actuation or Press-to-talk communication
Ambient temperature	0 ~ 40
Video door station	1 unit
Sub master station	1 unit
Call extension	1 unit
Call tone	1 fixed call tone only
Door release contact	24V AC/DC, 0.5A (N/O dry closure contact)
Option button output	24V AC/DC, 1.6A (N/O dry closure contact)
External sensor input	1 input (N/O dry closure contact)
	Notification sound
Mounting	Surface wall mount
Electrical box	Single-gang box
Housing	Unit case: Fire-retardant ABS plastic
	Acrylic panel: Fire-retardant plastic
Weight	Approx.370g (0.82lbs.)
Unit color	Panel: Light gray
	Front case: Pure white(N9.5 Munsell Approximation)

DESCRIPTION	FIG. NAME	UNIT	DATE
MASTER STATION (Color monitor)	SPECIFICATIONS	mm	25 December, 2008
MODEL NO.	FIG.NO.	PAGE	REVISION
JK-1MD	56809-2-4	2/4	1

AIPHONE

WIRING DIAGRAM



PS : 18V DC, PS-1820S, PS-1820UL or PS-1810DIN power supply
PT : AC transformer

* External sensor input specifications

Input method	N/O dry closure contact External sensor input (start signal only detection method)
Detection confirmation time	100 mSec or more
Contact resistance	During N/O closure: Less than 700 During N/C dry closure: More than 3k
Terminal short current	Less than 10mA
Voltage between terminals	Less than DC 20V (when open between terminals)

When the output of the External sensor has polarity, set to KS (+) or KE (-) and connect.

RESTRICTIONS

- Due to hands-free auto-voice actuation system, smooth voice switching may be hindered by voice strength of the opponent or ambient noise, etc.
- One Call extension can be connected. However instant voice call of door station is not available from Call extension.
- The adjusting with call tone volume on the Master station does not vary the volume from Call extension.
- One Sub station, JK-1HD or JK-1SD, can be connected.
- The picture memory unit cannot be connected.
- No compatible with the other color series (JF, JA, KB, KC, etc.)

DESCRIPTION	FIG. NAME	UNIT	DATE
MASTER STATION (Color monitor)	WIRING/RESTRICTIONS	mm	25 December, 2008
MODEL NO.	FIG.NO.	PAGE	REVISION
JK-1MD	56809-3-4	3/4	1

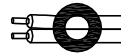
AIPHONE

RESTRICTIONS ON WIRING

For wiring, it is recommended to use a single vinyl jacketed cable with PE(polyethylene) insulation. The following cables can not be used;

- Coaxial cable
- Individual conductors
- Twisted pair cable
- Cable with conductors in odd number

PARALLEL CABLE



COAXIAL CABLE

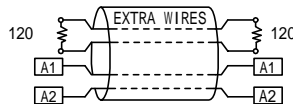


ODD NO. OF CONDUCTORS



Besides 2-conductor cable, when using a cable with extra wires, terminate with a 120 Ohm at both ends of an extra pair(s).

(Otherwise, the system does not operate properly, affecting seriously on communication).



Keep the intercom wires more than 30cm away from AC power lines.

(It causes noise in communication and malfunction) When using the existing cable run, the system may not work properly by type. In that case, it becomes necessary to install a new cable.

FUNCTIONS

Calling door station, call stand-by approx. 45 sec./Communication, approx. 1 min. timed/
Ending communication by pressing OFF button.

Transmit LED is steadily lit in red while speaking.

Backlight compensation by pressing ADJUST button while monitor is on.

(Low light compensation at night. Distinguishing between day and night is automatically done by the door station)

ZOOM & WIDE camera control by pressing ZOOM & WIDE button while monitor is on.

PanTilt camera control on ZOOM mode.

Pre-setting of PanTilt position for ZOOM mode.

Monitoring audio/video of door station, approx. 1min timed/White LED illumination by pressing TALK button.

Press-to-talk communication, after depressing TALK button approx. 1 sec. or more

Press-to-talk restriction: Disable Press-to-talk function

Instant voice call-in with image (approx. 45 sec.)

Room-to-room communication by pressing CALL button, communication approx. 10min.

External sensor input: When external sensor activates, monitor stations are notified by notification sounds and flashing Transmit LED.

Reset notification by pressing CALL button or sounds stop automatically after 30 sec.

Activating door strike.

Option button: Controls external device such as entrance light

Operation	Unit	JK-1MD		Door station Sound	Call extension	Priority
		Sound	Monitor			
Call from the door		✓	✓(image)		✓	1
Call from the sub master		✓				2
External sensor input	30 sec.	✓			✓	3

SETTING

ZOOM picture pre-sets..... Press ZOOM/WIDE button more than 2 sec. while viewing the ZOOM picture of desired position.

Adjust Call tone volume (10 - 0) TONE (call tone) volume control

Adjust Screen brightness (10 - 0)..... BRIGHT (screen brightness) control

Adjust Receive volume (10 - 0) RCV. (receive) volume control
(Instant voice call is also adjusted)

Press-to-talk restriction..... Press-to-talk restriction switch

DESCRIPTION	FIG. NAME	UNIT	DATE
MASTER STATION (Color monitor)	RESTR./FCN./SETTING	mm	25 December, 2008
MODEL NO.	FIG.NO.	PAGE	REVISION
JK-1MD	56809-4-4	4/4	1
			AIPHONE