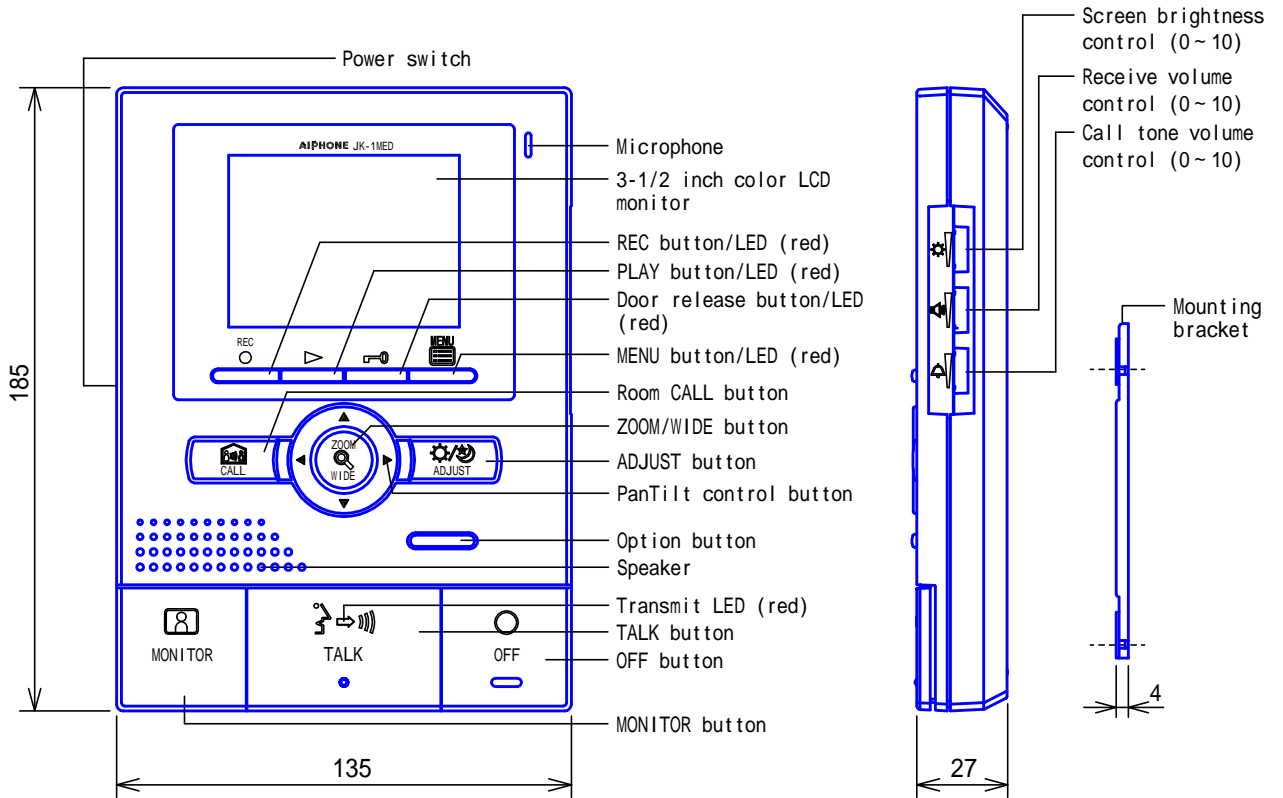
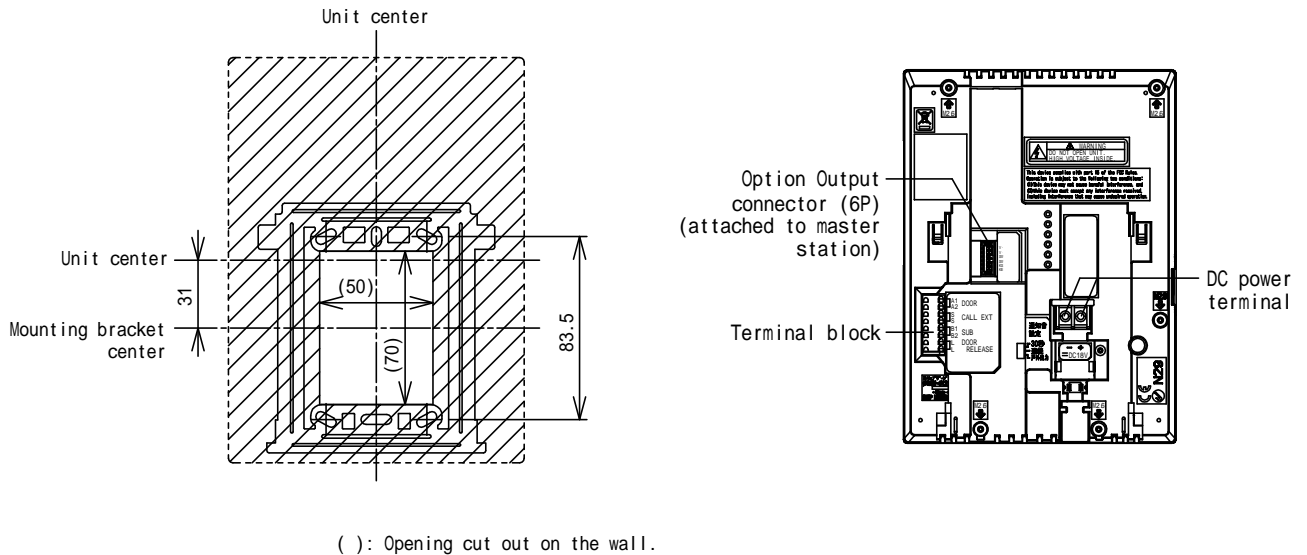


PRODUCT DRAWING



MOUNTING

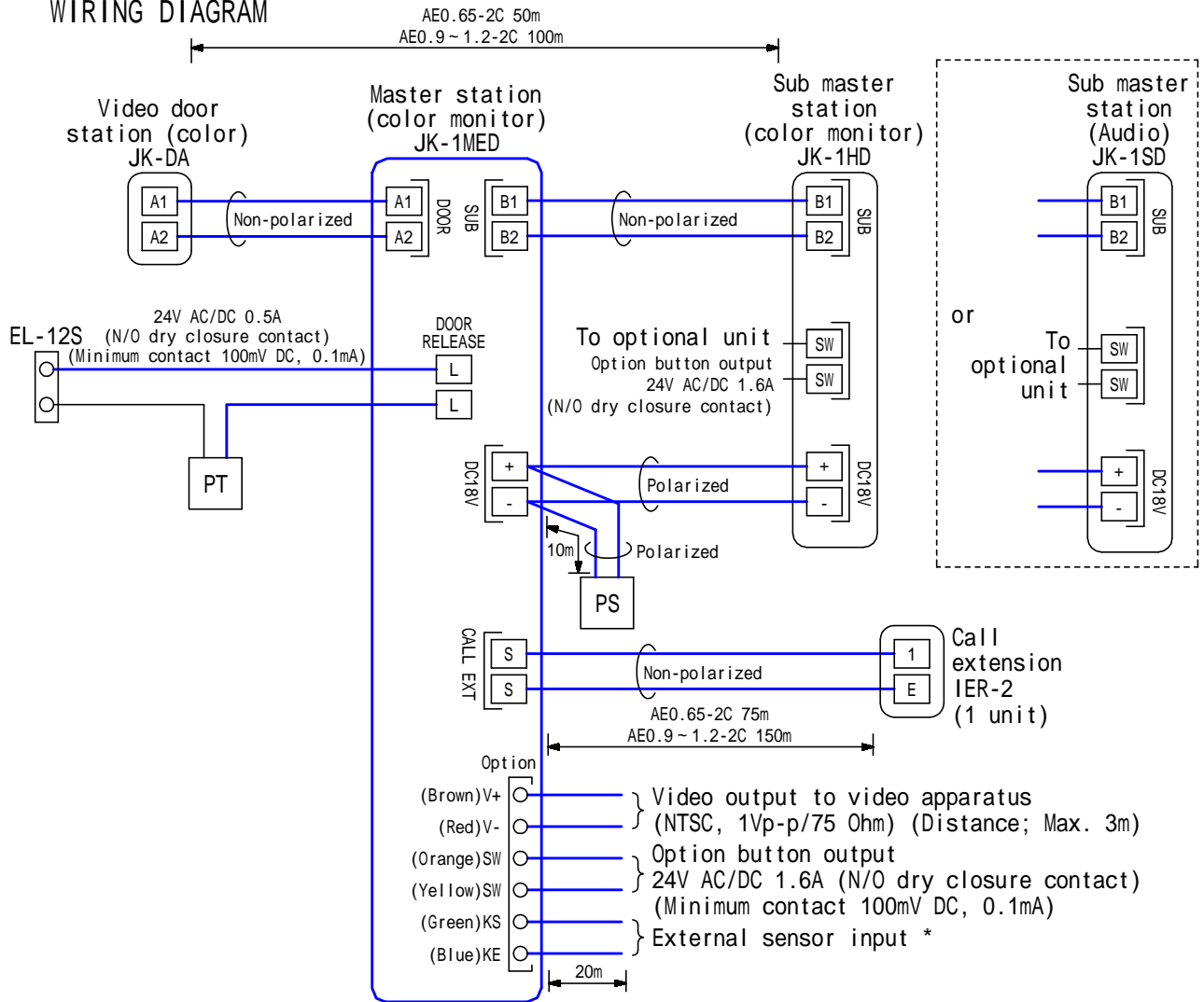


DESCRIPTION MASTER STATION (Color monitor)	FIG. NAME PRODUCT DRAWING	UNIT mm	DATE 25 December, 2008
MODEL NO. JK-1MED	FIG.NO. 56906-1-5	PAGE 1/5	REVISION 1
			AIPHONE

SPECIFICATIONS

Power source	18V DC, Supplied from a power supply		
Power consumption	400mA (max.)		
Video monitor	3-1/2 inch TFT color LCD		
Pixels	230,000 pixels		
Type of communication	Open voice hands-free auto-voice actuation or Press-to-talk communication		
Ambient temperature	0 ~ 40		
Video door station	1 unit		
Sub master station	1 unit		
Call extension	1 unit		
External sensor input	1 input (N/O dry closure contact)		
	Notification sound		
Picture memory	40 pictures (6 shots/picture)		
Save picture	10 pictures		
Door release contact	24V AC/DC, 0.5A (N/O dry closure contact)		
Option button output	24V AC/DC, 1.6A (N/O dry closure contact)		
Call tone	4 selections		
Mounting	Surface wall mount		
Electrical box	Single-gang box		
Housing	Unit case: Fire-retardant ABS plastic		
	Acrylic panel: Fire-retardant plastic		
Weight	Approx.390g (0.82lbs.)		
Unit color	Panel: Light gray		
	Front case: Pure white(N9.5 Munsell Approximation)		
DESCRIPTION	FIG. NAME	UNIT	DATE
MASTER STATION (Color monitor)	SPECIFICATIONS	mm	25 December, 2008
MODEL NO.	FIG.NO.	PAGE	REVISION
JK-1MED	56906-2-5	2/5	1
			AIPHONE

WIRING DIAGRAM



- PS : 18V DC, PS-1820S, PS-1820UL or PS-1810DIN power supply
- PT : AC transformer

* External sensor input specifications

Input method	N/O dry closure contact External sensor input (start signal only detection method)
Detection confirmation time	100 mSec or more
Contact resistance	During N/O closure: Less than 700 During N/C dry closure: More than 3k
Terminal short current	Less than 10mA
Voltage between terminals	Less than DC 20V (when open between terminals)

When the output of the External sensor has polarity, set to KS (+) or KE (-) and connect.

RESTRICTIONS

- Due to hands-free auto-voice actuation system, smooth voice switching may be hindered by voice strength of the opponent or ambient noise, etc.
- One Call extension can be connected. However instant voice call of door station is not available from Call extension.
- The adjusting with call tone volume on the Master station does not vary the volume from Call extension.
- One Sub station, JK-1HD or JK-1SD, can be connected.
- The picture memory unit cannot be connected.
- Not compatible with the other color series (JF, JA, KB, KC, etc.)

DESCRIPTION	FIG. NAME	UNIT	DATE
MASTER STATION (Color monitor)	WIRING/RESTRICTIONS	mm	25 December, 2008
MODEL NO.	FIG.NO.	PAGE	REVISION
JK-1MED	56906-3-5	3/5	1

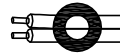
AIPHONE

RESTRICTIONS ON WIRING

For wiring, it is recommended to use a single vinyl jacketed cable with PE(polyethylene) insulation. The following cables can not be used;

- Coaxial cable
- Individual conductors
- Twisted pair cable
- Cable with conductors in odd number

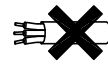
PARALLEL CABLE



COAXIAL CABLE

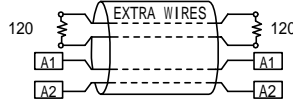


ODD NO. OF CONDUCTORS



Besides 2-conductor cable, when using a cable with extra wires, terminate with a 120 Ohm at both ends of an extra pair(s).

(Otherwise, the system does not operate properly, affecting seriously on communication).



Keep the intercom wires more than 30cm away from AC power lines.

(It causes noise in communication and malfunction) When using the existing cable run, the system may not work properly by type. In that case, it becomes necessary to install a new cable.

FUNCTIONS

Calling door station, call stand-by approx. 45 sec./Communication, approx. 1, 2, 3 or 5 min according to set time./Ending communication by pressing OFF button.

Transmit LED is steadily lit in red while speaking.

Backlight compensation by pressing ADJUST button while monitor is on.

(Low light compensation at night. Distinguishing between day and night is automatically done by the door station)

ZOOM & WIDE camera control by pressing ZOOM & WIDE button while monitor is on.

PanTilt camera control on ZOOM mode.

Pre-setting of PanTilt position for ZOOM mode.

Monitoring audio/video of door station, approx. 1min timed/White LED illumination by pressing TALK button.

Press-to-talk communication, after depressing TALK button approx. 1 sec. or more

Press-to-talk restriction: Disable Press-to-talk function

Instant voice call-in with image (approx. 45 sec.)

Room-to-room communication by pressing CALL button, communication approx. 10min.

External sensor input: When external sensor activates, monitor stations are notified by displaying icon (I), notification sounds (When the outdoor output is set, JK-1MED and door station sound at a volume equivalent to "10 (High).", and flashing Transmit LED.

Reset notification by pressing CALL button or sounds stop automatically after 30 sec. by setting

Activating door strike.

Option button: Controls external device such as entrance light

Unit		JK-1MED		Door station	Call extension	Priority
		Sound	Monitor			
Call from the door		✓	✓(image)	-	✓	2
Call from the sub master		✓				3
External sensor input	30 sec.					
	continuous	✓	✓(icon)		✓	4
	Outdoor output			✓		1

<Picture memory>

Records call from video door station automatically (first shot is recorded after 2 seconds, and total of 6 shots per sec.) / REC LED flashes (red)

Press REC button to record manually (total of 6 shots per sec.) / REC LED flashes (red)

Max. 40 pictures can be recorded (automatic and manual recording), (max. 6 shots per picture)

Save max. 10 pictures

DESCRIPTION	FIG. NAME	UNIT	DATE
MASTER STATION (Color monitor)	RESTRICTIONS/FUNCTIONS	mm	25 December, 2008
MODEL NO.	FIG.NO.	PAGE	REVISION
JK-1MED	56906-4-5	4/5	1
			AIPHONE

SETTING

ZOOM picture pre-sets.....	Press ZOOM/WIDE button more than 2 sec. while viewing the ZOOM picture of desired position.
Adjust Call tone volume (10 - 0)	TONE (call tone) volume control
Adjust Screen brightness (10 - 0).....	BRIGHT (screen brightness) control
Adjust Receive volume (10 - 0)	RCV. (receive) volume control (Instant voice call is also adjusted)

<Setting screens and display>

Date/Time

External sensor input

- Detection method (N/O, N/C, Disable)
- Outdoor output notification period: 30 sec./Continuously/Continuously

Initialization

Door station Call tone (1 to 4)

Communication

- Communication time (1/2/3/5 min)
- Automatic volume adjustmend at night (DISABLE/ENABLE)

Setting recording method.

(Zoom pictures x3 Wide pictures x3, Wide pictures x3 Zoom pictures x3,
Zoom pictures x6, Wide pictures x6)

Language (English/French/Italian/Spanish/Dutch)

Press-to-talk restriction

DESCRIPTION	FIG. NAME	UNIT	DATE
MASTER STATION (Color monitor)	SETTING	mm	25 December, 2008
MODEL NO.	FIG.NO.	PAGE	REVISION
JK-1MED	56906-5-5	5/5	1
			AIPHONE