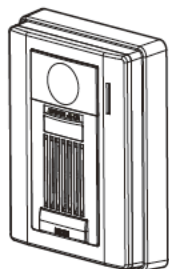




JK-DA, JK-DV, JK-DVF

VIDEO DOOR STATION
 POSTE DE PORTE VIDÉO
 VIDEO PORTERO
 VIDEODEURPOST

POSTAZIONE VIDEOCITOFONICA ESTERNA



JK-DA

*Video door station
 Poste de porte vidéo
 Video portero
 Videodeurpost met kunststof
 opbouwbehuizing
 Postazione videocitofonica
 esterna*



JK-DVF

*Vandal-resistant video door station
 Portier vidéo résistant au vandalisme
 Video portero antivandálico
 Videodeurpost met inox antivandalisme-
 inbouwbehuizing
 Postazione videocitofonica esterna
 resistente agli atti vandalici*



JK-DV

*Vandal-resistant video door station
 Portier vidéo résistant au vandalisme
 Video portero antivandálico
 Videodeurpost met metalen
 antivandalisme-opbehuizing
 Postazione videocitofonica esterna
 resistente agli atti vandalici*

INSTALLATION MANUAL
 MANUEL D'INSTALLATION
 MANUAL DE INSTALACIÓN
 INSTALLATIEHANDLEIDING
 MANUALE D'INSTALLAZIONE

PRECAUTIONS

- General Prohibitions
 Prohibition to Dismantle the Unit
 Prohibition on Subjecting the Unit to Water
 General Precautions

⚠ WARNING

(Negligence could result in death or serious injury.)

- ❶ 1. Do not dismantle or alter the unit. Fire or electric shock could result.
- ❷ 2. Existing wiring such as chime wiring, etc. may contain high voltage AC electricity. Damage to the unit or electric shock could result. Wiring and installation should be done by a qualified technician.
- ❸ 3. This unit is not an explosion-proof unit. Do not install or use the unit in locations that are filled with flammable gas such as oxygen rooms. Fire or an explosion could result.

⚠ CAUTION

(Negligence could result in injury to people or damage to property.)

- ❶ 1. Before turning on power, make sure wires are not crossed or shorted. If not, fire or electric shock could result.
- ❷ 2. Do not install or make any wire terminations while power supply is plugged in. It can cause electrical shock or damage to the unit.

General Precautions

1. The door station is weather resistant, but do not spray high pressure water on door station directly. Unit trouble could result.

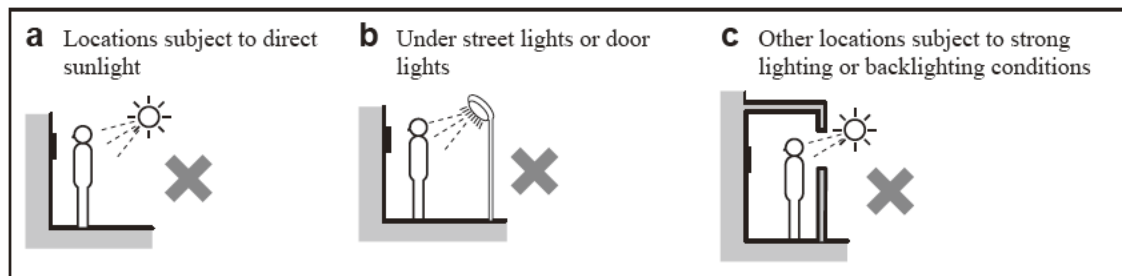
1 PACKAGE CONTENTS

<p>JK-DA Front panel Main unit</p>	<p>Mounting screws (Mounting screws x 2 Wood mounting screws x 2)</p>	<p>Special screwdriver Transparent nameplates x 2</p>	<p>INSTALLATION MANUAL</p>
<p>JK-DV</p>	<p>Mounting screws (x4) and anchor bolts (x4)</p>		
<p>JK-DVF</p>	<p>Special screws (x4) Flush mount back box</p>		

2 INSTALLATION

2-1 Mounting locations

"Do not install video door station in any of the following locations where lighting or the ambient environment could impact the display on the video monitor due to the characteristics of the door station's camera."



2-2 Mounting positions and image view area

◇ Wide picture

Approx. 1,050 mm (3' 5")

◆ Objects appear smaller due to greater distortion in the surrounding sections compared to the central section, but a wider area is displayed. The display range is a rough estimation and may change due to the installation environment.

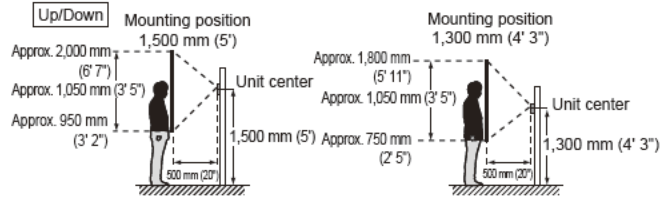
◇ Zoom picture

Approx. 700 mm (2' 3")

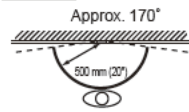
Approx. 900 mm (3')

◆ The zoom position can be changed. (Refer to the master station's operation manual.) The factory setting is "Center" for Zoom mode.

◇ Wide picture

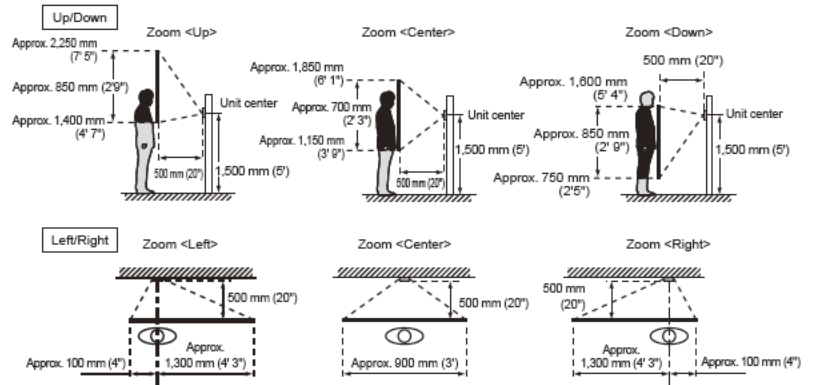


Left/Right



◆ An area over a range of approx. 170° in a 500 mm radius from the camera displays. (The display range is a rough estimation and may change due to the installation environment.)

◇ Zoom picture (when mounting position is 1,500 mm (5'))

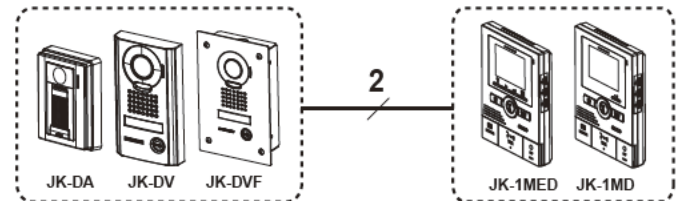
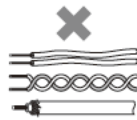


2-3 Cable

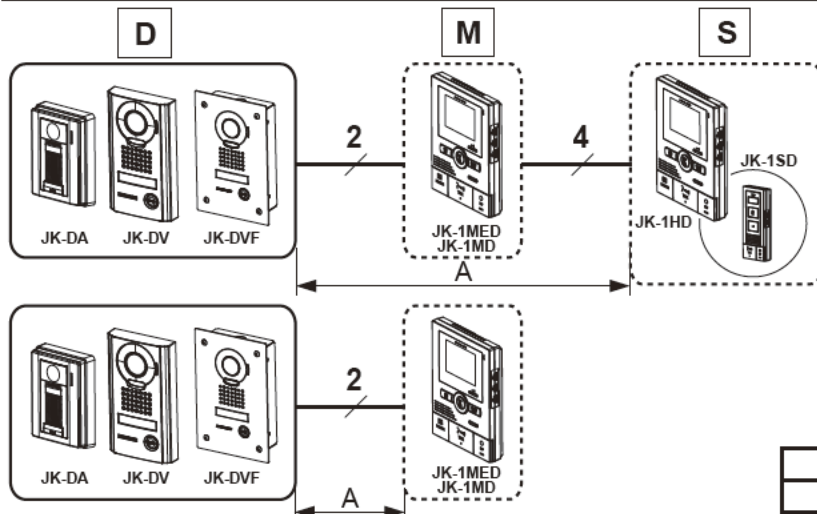
- 1 PVC jacket with PE (polyethylene) insulated cable is recommended.



- 2 Never use individual conductors, twisted pair cable or coaxial cable.



2-4 Wiring distance



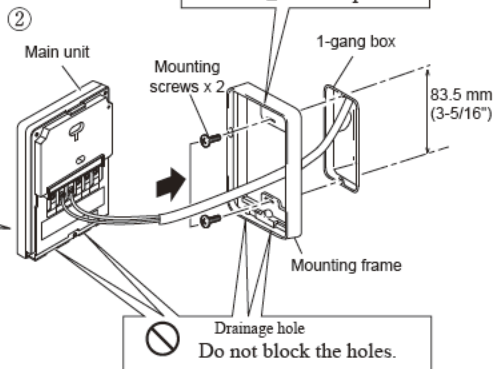
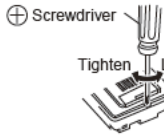
	Ø 0.65 mm	22 AWG	Ø 1.0 mm	18 AWG
A	50 m	165'	100 m	330'

3 MOUNTING

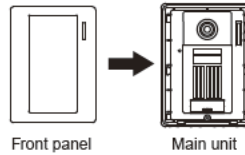
JK-DA

① Removing the main unit from the mounting frame

Remove the main unit. (Loosen the locking screws.)

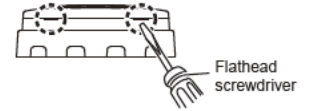


③ Mount the main unit on the mounting frame, and fit the front panel on.



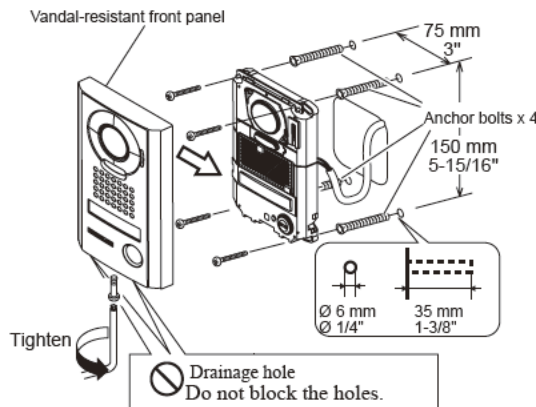
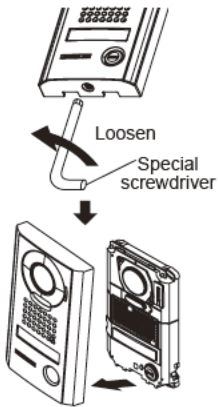
Removing the front panel

<Bottom surface>



Pry off the front panel with a flathead screwdriver.

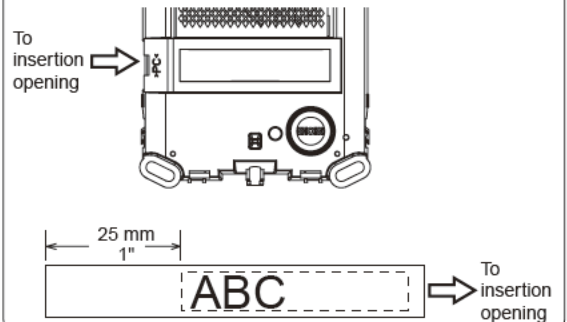
JK-DV



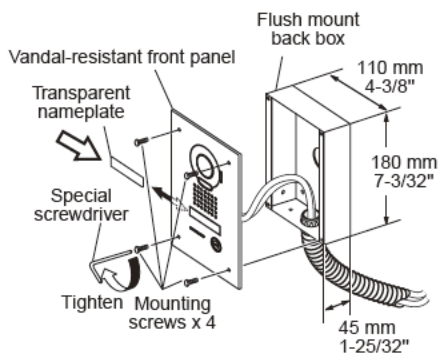
Using the transparent nameplates

Inserting the transparent nameplates

- ① Remove the vandal-resistant front panel.
- ② Peel off the protective seals on the plate (both sides).
- ③ Fill in the name of the resident on the transparent nameplate.
 - ⚠ Be sure to leave 25 mm (1") of white space on the left end to account for insertion.
- ④ Insert the filled-in transparent nameplate at the specified insertion opening (indicated with ⇨ in diagram).



JK-DVF



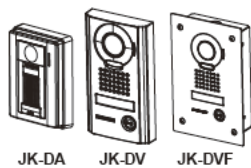
Using the transparent nameplates

Inserting the transparent nameplates

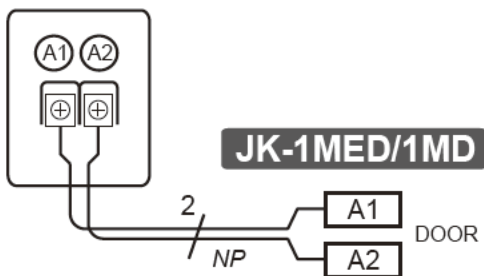
- ① Remove the vandal-resistant front panel from the flush mount back box.
- ② Peel off the protective seals on the plate (both sides).
- ③ Fill in the name of the resident on the transparent nameplate.
 - ⚠ Be sure to leave 25 mm (1") of white space on the left end to account for insertion.
- ④ Insert the filled-in transparent nameplate at the specified insertion opening on the rear side of the vandal-resistant front panel (indicated with ⇨ in diagram).



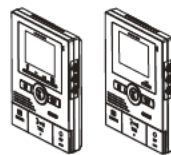
4 WIRING



JK-DA JK-DV JK-DVF



NP: Non-polarized



JK-1MED JK-1MD

5 TECHNICAL PRECAUTIONS

Technical precautions

- Operating temperature: -10 °C to +60 °C (+14 °F to +140 °F)
- Cleaning: Clean the units with a soft cloth dampened with a neutral household cleanser. Do not use any abrasive cleaner or cloth.
- Door station is weather resistant. However, do not spray high pressure water on door station directly. Unit trouble could result.

6 SPECIFICATIONS

- | | | | |
|---------------------------------|---|-----------------------|---------------------------|
| • Camera unit: | Complementary metal oxide semiconductor (CMOS) | • Weight: | |
| • Scanning lines: | 525 lines | JK-DA: | Approx. 190 g (0.42 lbs.) |
| • Minimum subject illumination: | 5 Lux at 50 cm (1'6") distance | JK-DV: | Approx. 650 g (1.43 lbs.) |
| • Dimensions: | | JK-DVF: | Approx. 580 g (1.27 lbs.) |
| JK-DA: | 129 (H) x 97 (W) x 35.5 (D) (mm)
5-1/8 (H) x 3-7/8 (W) x 1-9/16 (D) (inches) | Flush mount back box: | Approx. 450 g (1.0 lbs.) |
| JK-DV: | 173 (H) x 98 (W) x 29.5 (D) (mm)
6-13/16 (H) x 3-7/8 (W) x 1-3/8 (D) (inches) | | |
| JK-DVF: | 209 (H) x 135 (W) x exposed area 8 (D) (mm)
8-1/4 (H) x 5-5/16 (W) x 5/16 (D) (inches) | | |
| Flush mount back box: | 180 (H) x 110 (W) x 45 (D) (mm) | | |
| (JK-DVF) | 7-3/32 (H) X 4-3/8 (W) X 1-25/32 (D) (inches) | | |

