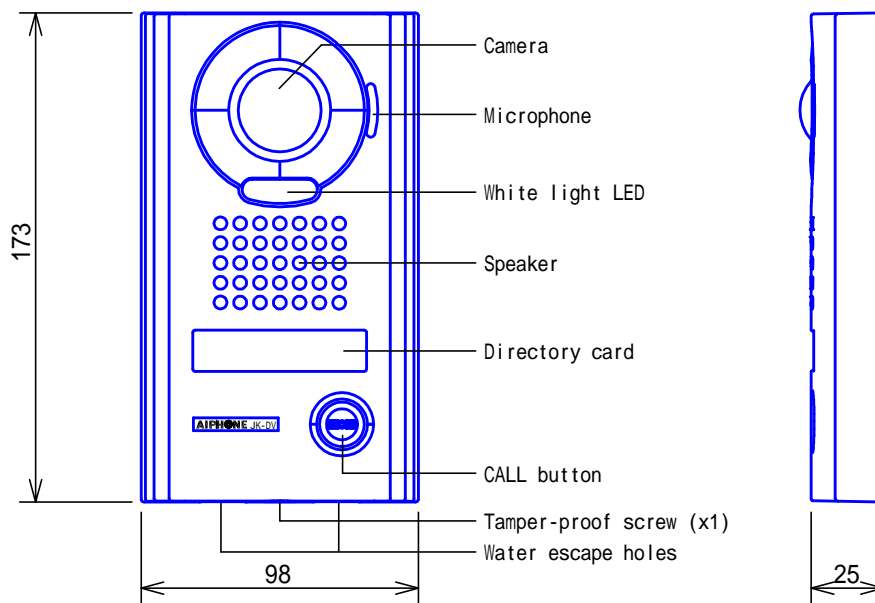
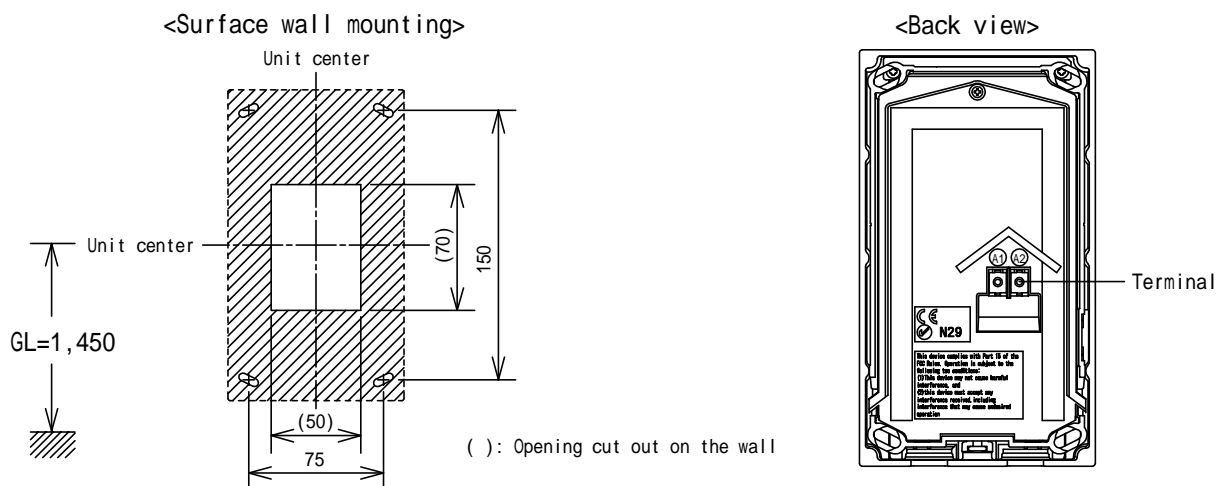


## PRODUCT DRAWING



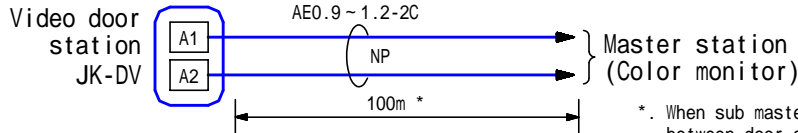
## MOUNTING



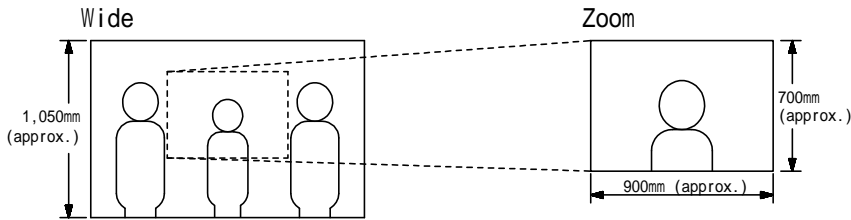
## SPECIFICATIONS

Power source	Supplied from Master station			
Type of communication	Open voice hands-free communication			
Camera	1/4 inch color CMOS			
Minimum illumination	5 Lux			
Camera angle	Wide: 170 ° (approx.) (Horizontal)			
Ambient temperature	-10 ~ 60			
Mounting	Surface wall mount (Directly to wall or electrical box)			
Electrical box	Single-gang box			
Housing	Front panel: Zinc diecasting			
Weight	650g (approx.) (1.43lbs.)			
Unit color	Front panel: Solid silver			
Remarks	Weather-resistant (JIS C 0920 Protection grade 3 equivalent)			
DESCRIPTION VIDEO DOOR STATION	(Color, Vandal-resistant)	FIG. NAME <b>PRODUCT/SPECIFICATIONS</b>	UNIT mm	DATE 25 December, 2008
MODEL NO. <b>JK-DV</b>		FIG.NO. 56843-1-3	PAGE 1/3	REVISION 1 <b>AIPHONE</b>

## WIRING DIAGRAM



## IMAGE VIEW AREA & MOUNTING HEIGHT

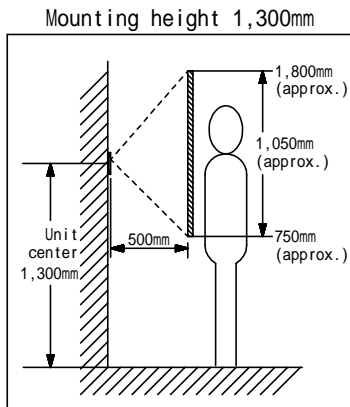
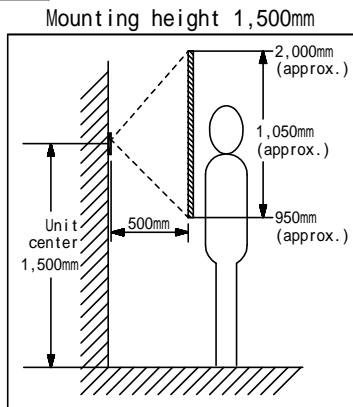


Objects appear smaller due to greater distortion in the surrounding sections compared to the central section, but a wider area is displayed.

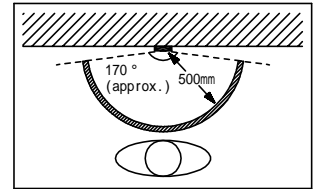
Image view area depends on the camera zoom position.

Wide

Vertical

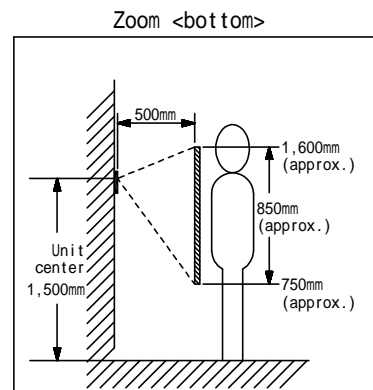
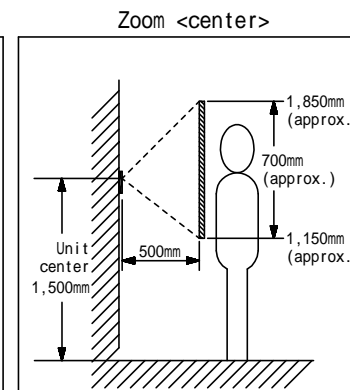
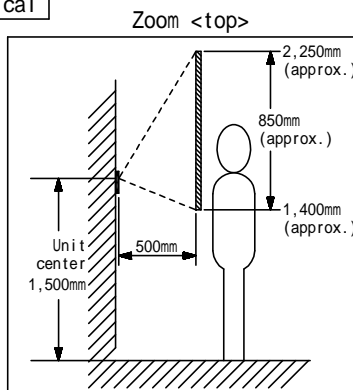


Horizontal

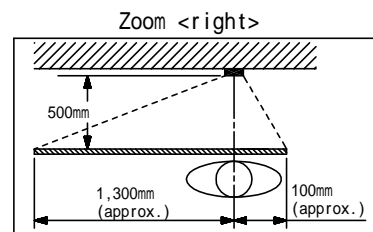
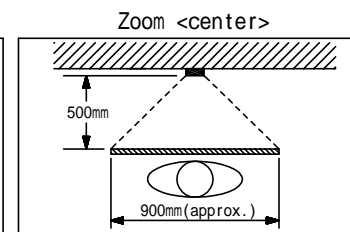
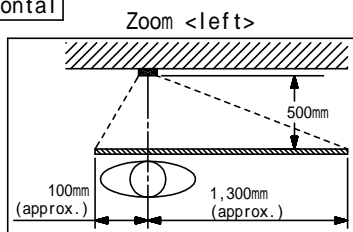


Zoom (Mounting height: 1,500mm)

Vertical



Horizontal



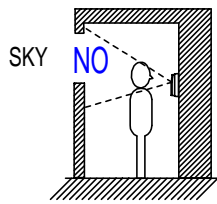
DESCRIPTION VIDEO DOOR STATION	(Color, Vandal-resistant)	FIG. NAME WIRING DIAGRAM/IMAGE	UNIT mm	DATE 25 December, 2008
MODEL NO. JK-DV		FIG.NO. 56843-2-3	PAGE 2/3	REVISION 1
				<b>AIPHONE</b>

## RESTRICTIONS

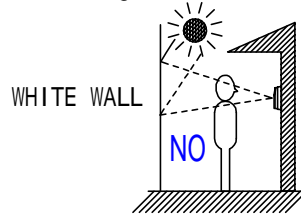
Do not cover the water escape holes with caulking seals.

JK-DV door station is exclusively used with JK Series Master stations.

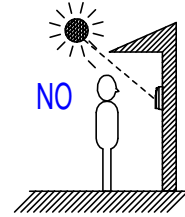
Avoid to install JK-DV in the following locations;



At the Entrance where background is sky in upper floors of Condominiums, etc.



The background of the standing caller's is white wall.



Where the standing location is strongly sunlit.

## FUNCTIONS

Initiating a call to and entering communication with Master station

DESCRIPTION VIDEO DOOR STATION	(Color, Vandal-resistant)	FIG. NAME <b>RESTRICTIONS/FUNCTIONS</b>	UNIT mm	DATE 25 December, 2008
MODEL NO. <b>JK-DV</b>		FIG.NO. 56843-3-3	PAGE 3/3	REVISION 1
				<b>AIPHONE</b>