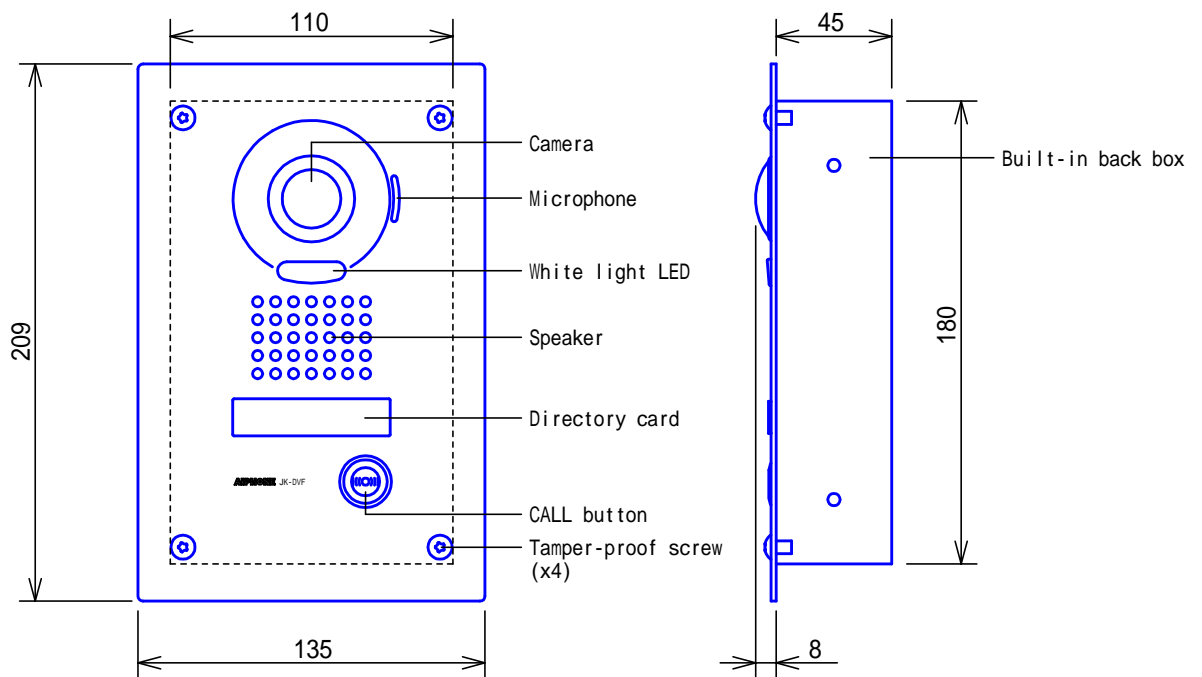
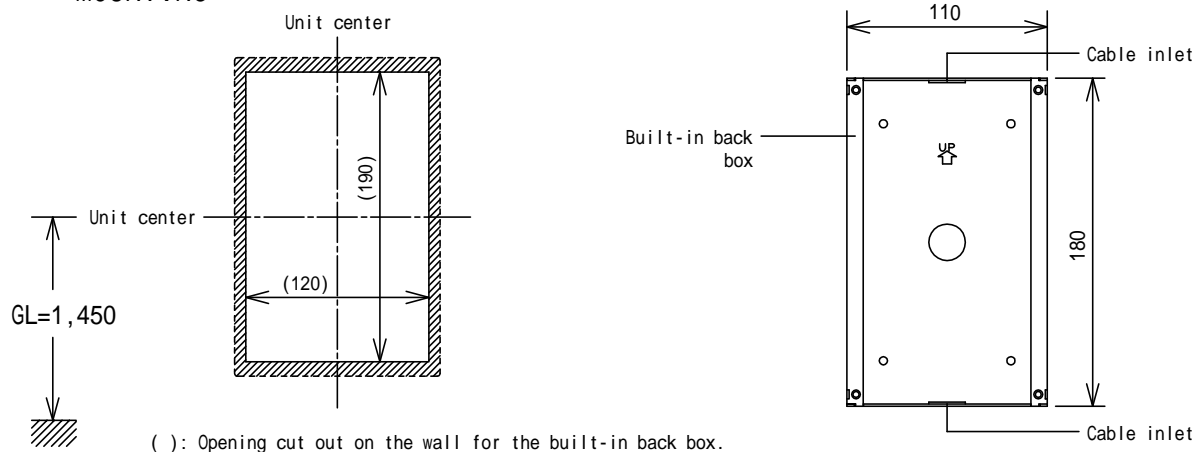


PRODUCT DRAWING



MOUNTING

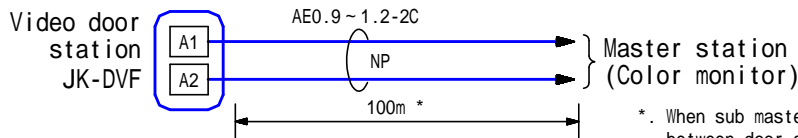


SPECIFICATIONS

Power source	Supplied from Master station			
Type of communication	Open voice hands-free communication			
Camera	1/4 inch color CMOS			
Minimum illumination	5 Lux			
Camera angle	Wide: 170 ° (approx.) (Horizontal)			
Ambient temperature	-10 ~ 60			
Mounting	Flush mount			
Electrical box	Not used (Mounts on built-in back box.)			
Housing	Front panel: Stainless steel.			
Weight	580g (approx.)(1.3lbs), back box 450g (approx.)(1lbs)			
Unit color	Stainless steel, vertical hair-line processed.			
Remarks	Weather-resistant (JIS C 0920 Protection Class 3 equivalent)			
DESCRIPTION VIDEO DOOR STATION	(Color, Vandal-resistant)	FIG. NAME PRODUCT/SPECIFICATIONS	UNIT mm	DATE 25 December, 2008
MODEL NO. JK-DVF		FIG.NO. 56854-1-3	PAGE 1/3	REVISION 1

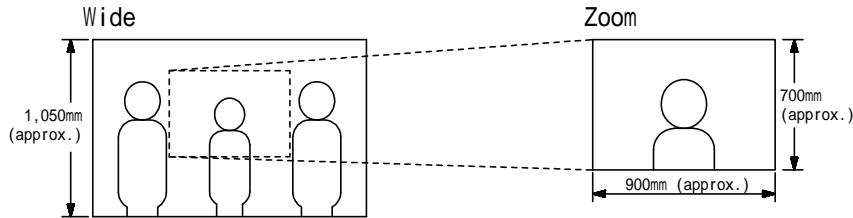
AIPHONE

WIRING DIAGRAM



*. When sub master station is connected, the distance between door and sub master will be 100m.

IMAGE VIEW AREA & MOUNTING HEIGHT

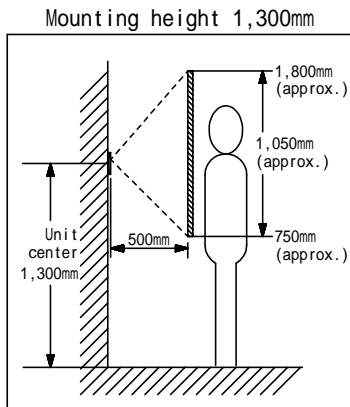
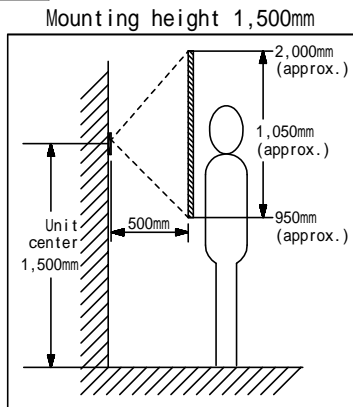


Objects appear smaller due to greater distortion in the surrounding sections compared to the central section, but a wider area is displayed.

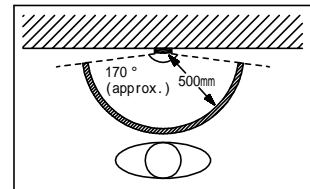
Image view area depends on the camera zoom position.

Wide

Vertical

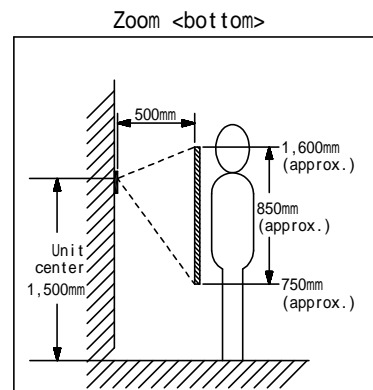
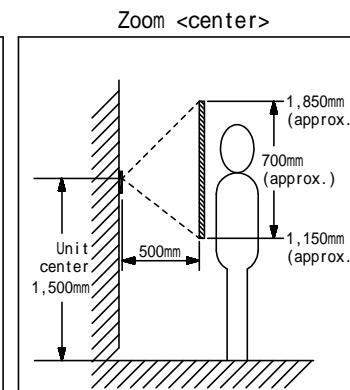
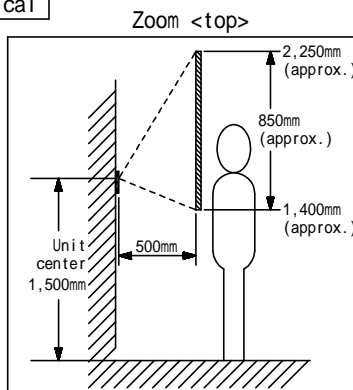


Horizontal

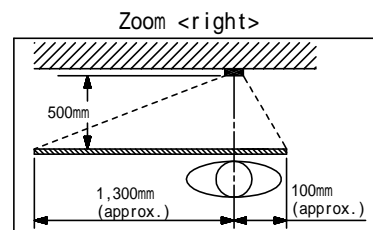
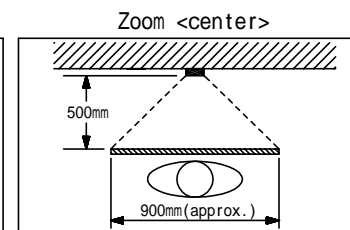
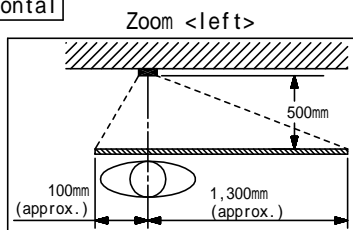


Zoom (Mounting height: 1,500mm)

Vertical



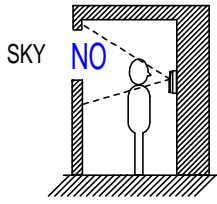
Horizontal



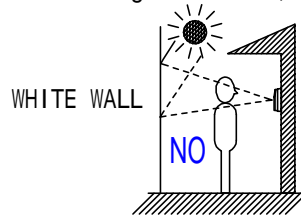
DESCRIPTION VIDEO DOOR STATION	(Color, Vandal-resistant)	FIG. NAME WIRING DIAGRAM/IMAGE	UNIT mm	DATE 25 December, 2008
MODEL NO. JK-DVF		FIG.NO. 56854-2-3	PAGE 2/3	REVISION 1
				AIPHONE

RESTRICTIONS

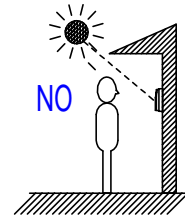
JK-DVF door station is exclusively used with JK Series Master stations.
 Avoid to install JK-DVF in the following locations;



At the Entrance where background is sky in upper floors of Condominiums, etc.



The background of the standing caller's is white wall.



Where the standing location is strongly sunlit.

FUNCTIONS

Initiating a call to and entering communication with Master station

DESCRIPTION VIDEO DOOR STATION	(Color, Vandal-resistant)	FIG. NAME RESTRICTIONS/FUNCTIONS	UNIT mm	DATE 25 December, 2008
MODEL NO. JK-DVF		FIG.NO. 56854-3-3	PAGE 3/3	REVISION 1
				AIPHONE