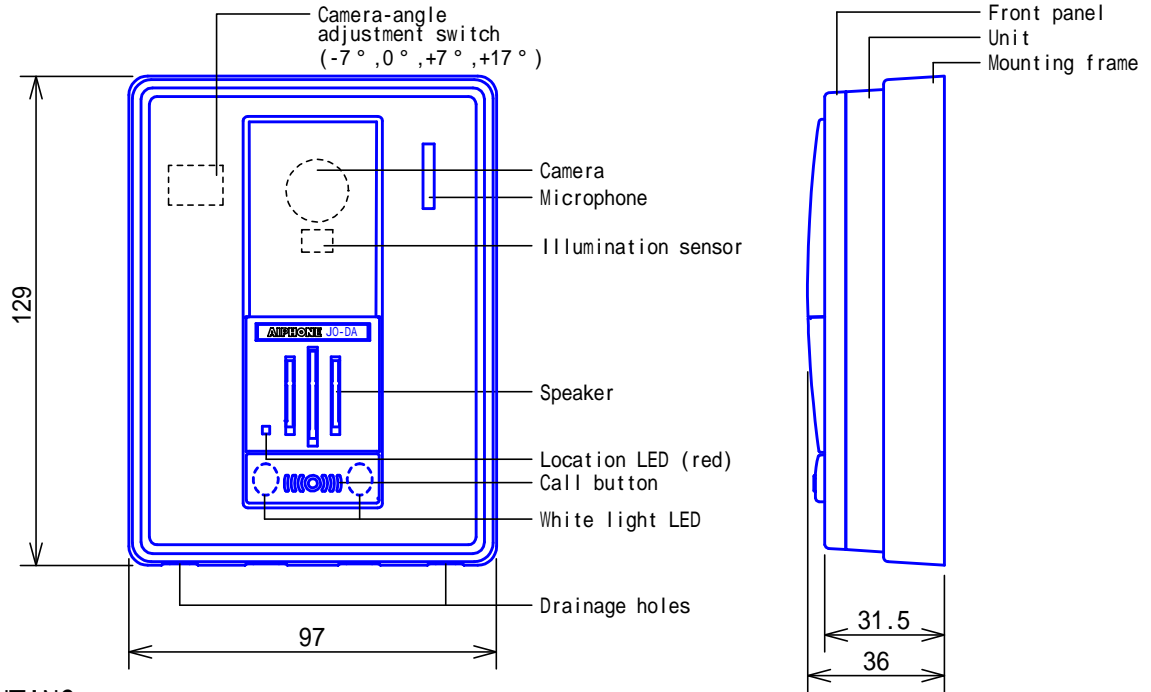
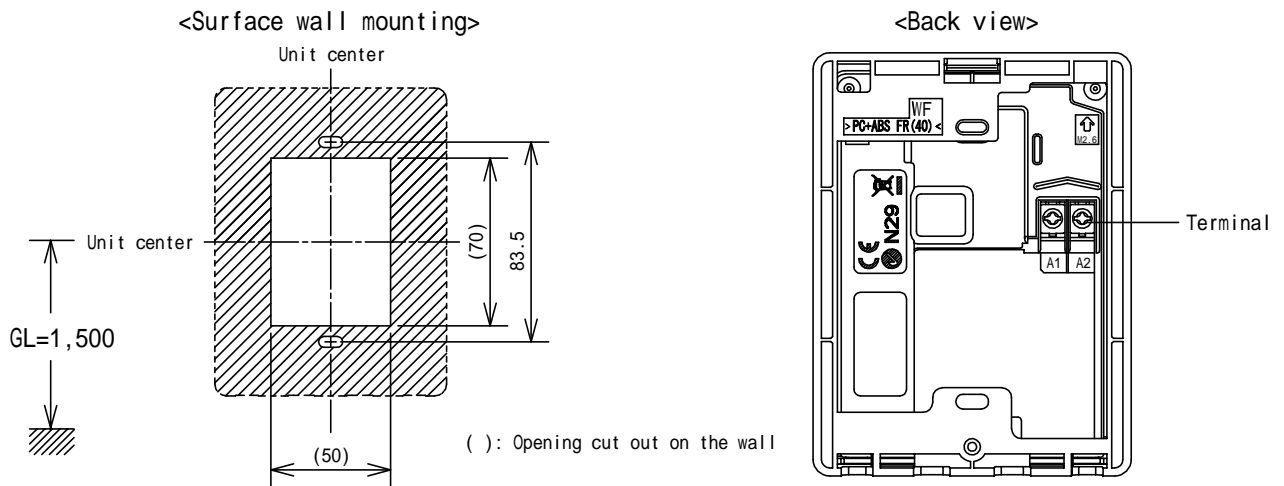


PRODUCT DRAWING



MOUNTING



SPECIFICATIONS

Power source	Supplied from Master monitor station or Expansion monitor station		
Type of communication	Open voice hands-free communication		
Camera	1/4 inch color CMOS		
Minimum illumination	5 lux (approx.)		
Camera angle adjustment	-7°, 0°, +7°, +17° (4-positions)		
Ambient temperature	-20 ~ +60		
Mounting	Surface wall mount (Directly to wall or electrical box)		
Electrical box	Single-gang box		
Material	Fire-retardant PC + ABS plastic		
Weight	200g (approx.) (0.44 lbs)		
Unit color	Clear Black		
IP rating	IP54		

DESCRIPTION	FIG. NAME	UNIT	DATE
VIDEO DOOR STATION (Color)	PRODUCT/SPECIFICATIONS	mm	10 June, 2013
MODEL NO.	FIG.NO.	PAGE	REVISION
JO-DA	59273-1-3	1/3	1

AIPHONE

WIRING DIAGRAM

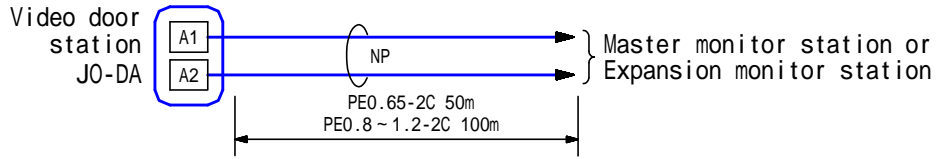
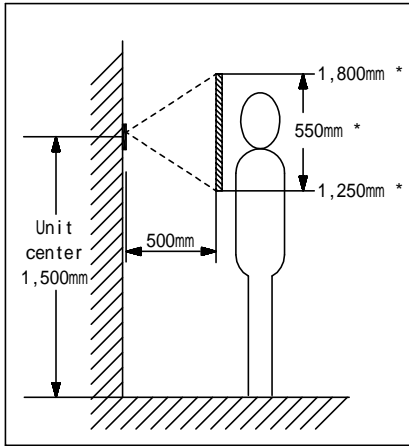


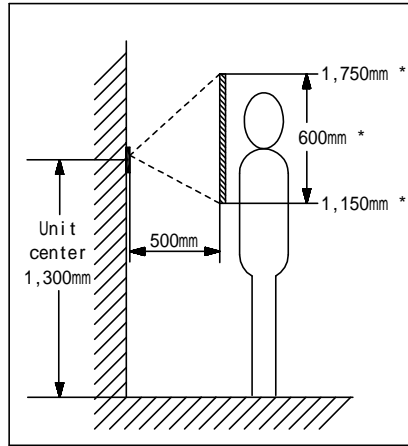
IMAGE VIEW AREA & MOUNTING HEIGHT

Vertical

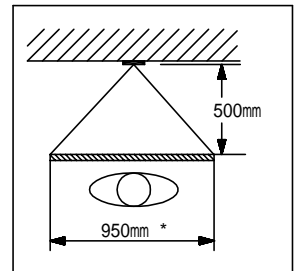
Camera angle: 0°



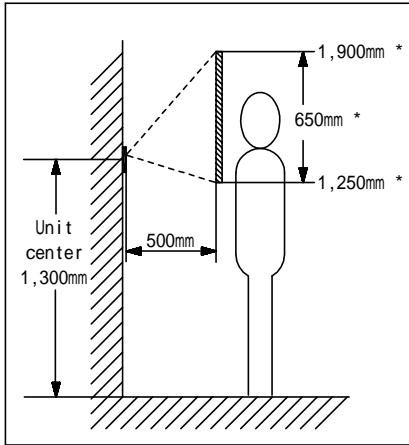
Camera angle: +7°



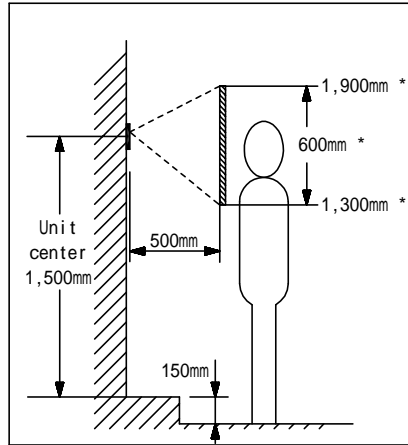
Horizontal



Camera angle: +17°



Camera angle: -7°
(When the station is at a high position due to a step)

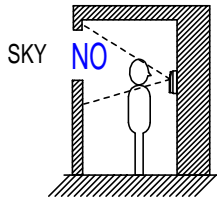


* The figures are approximate.

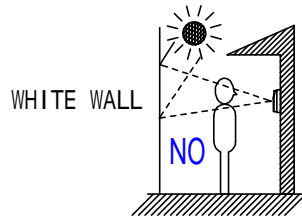
DESCRIPTION VIDEO DOOR STATION (Color)	FIG. NAME WIRING/IMAGE VIEW AREA	UNIT mm	DATE 10 June, 2013
MODEL NO. JO-DA	FIG.NO. 59273-2-3	PAGE 2/3	REVISION 1
			AIPHONE

RESTRICTIONS

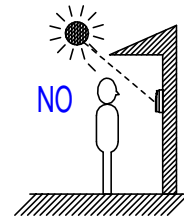
Do not cover the drainage holes with caulking seals.
 JO-DA door station is exclusively used for JO Series.
 JO-DA is mountable on each Angle box: JBW-D & KAW-D.
 Avoid installing JO-DA door station in the following locations;



At the entrance where background is sky in upper floors of building, etc.



The background of the standing caller's is white wall.



Where the standing location is strongly sunlit.

FUNCTIONS

Initiating a call to and entering communication with Master monitor station or Expansion monitor station.
 White light LED turns on during low-light conditions when monitoring and talking status.
 Location LED is steadily lit while the Master monitor station or the Expansion monitor station is in powered status.

DESCRIPTION VIDEO DOOR STATION (Color)	FIG. NAME RESTRICTIONS/FUNCTIONS	UNIT mm	DATE 10 June, 2013
MODEL NO. JO-DA	FIG.NO. 59273-3-3	PAGE 3/3	REVISION 1
			AIPHONE