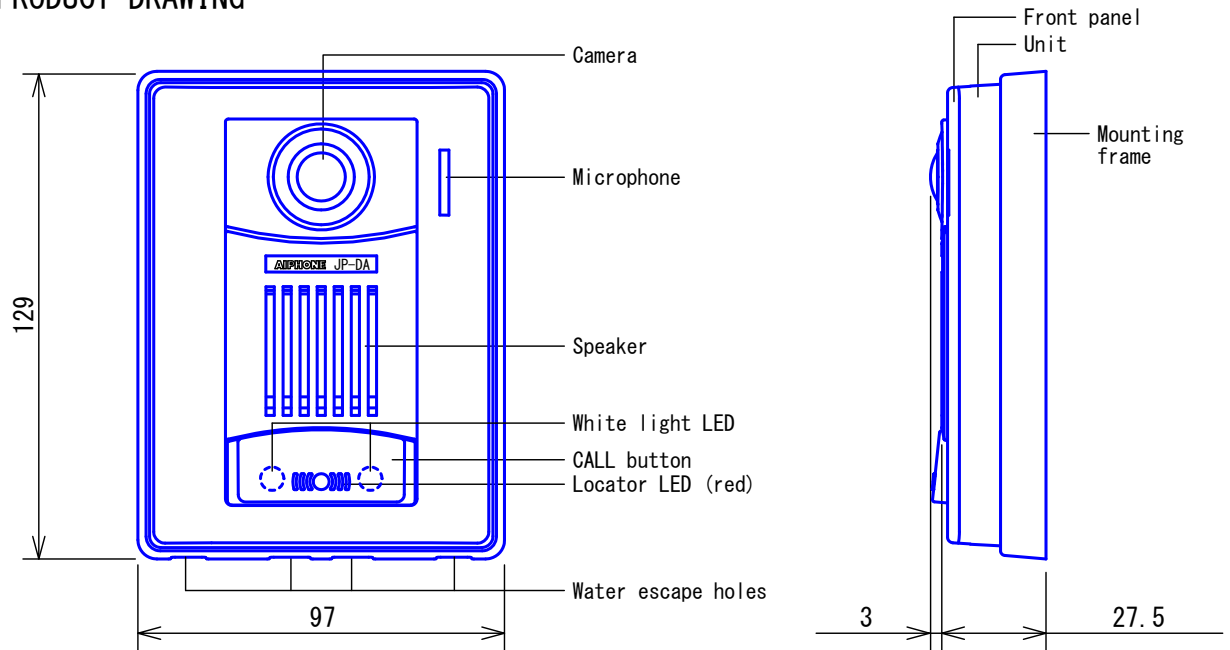
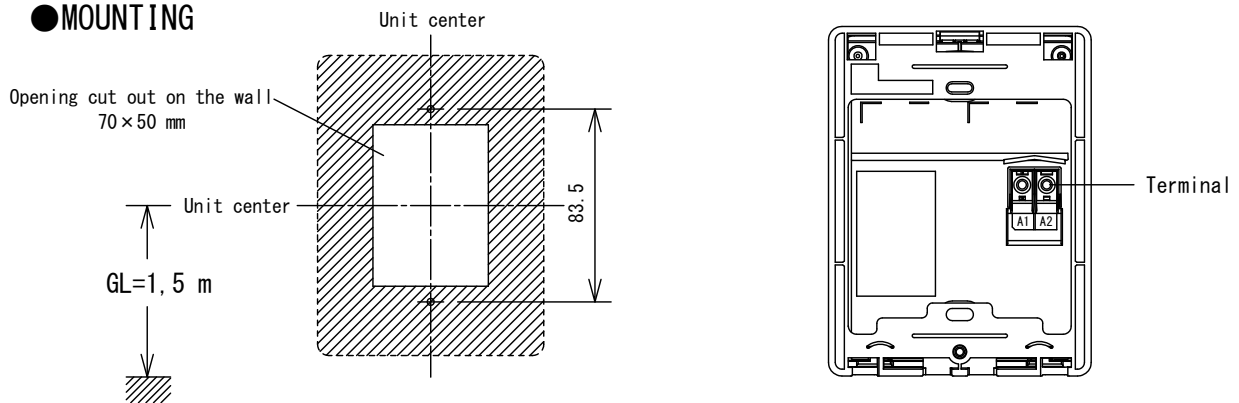


## ■ PRODUCT DRAWING



## ● MOUNTING

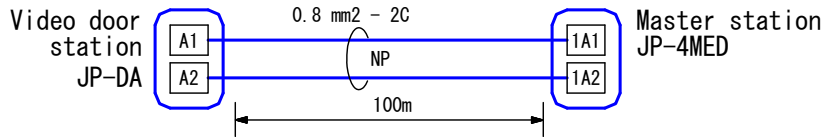


## ■ SPECIFICATIONS

Power source	Supplied from Master station		
Type of communication	Open voice hands-free communication		
Camera	1/4 inch color CMOS		
Minimum illumination	5 Lux		
Camera angle	Wide: 170° (approx.) (Horizontal)		
Ambient temperature	-10~+60°C		
Mounting	Surface wall mount (Directly to wall or electrical box)		
Electrical box	Single-gang box		
Material	Fire-retardant PC + ABS plastic		
Weight	170g (approx.)		
Unit color	Front panel: Shining silver Unit: Clear Black		
IP rating	IP54		
IK rating	IK07		
DESCRIPTION	FIG. NAME	UNIT	DATE
VIDEO DOOR STATION (Color)	PRODUCT/SPECIFICATIONS	mm	6 October, 2014
MODEL NO.	FIG. NO.	PAGE	REVISION
JP-DA	59723-1-3	1/3	1

**AIPHONE**

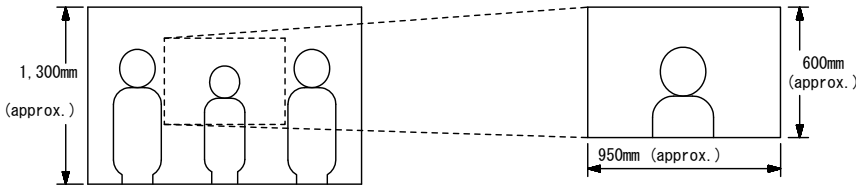
■ WIRING DIAGRAM



■ IMAGE VIEW AREA & MOUNTING HEIGHT

● Wide

● Zoom

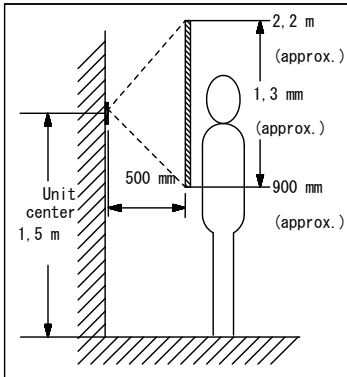


- Objects appear smaller due to greater distortion in the surrounding sections compared to the central section, but a wider area is displayed.
- Image view area depends on the camera zoom position.

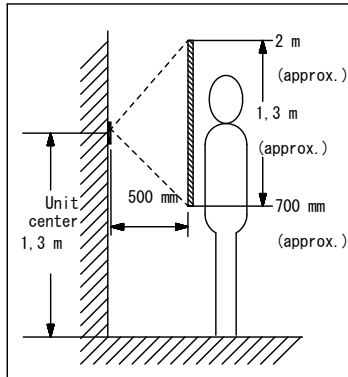
● Wide

Vertical

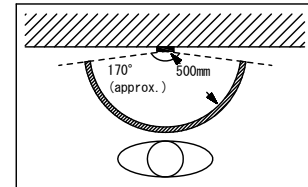
Mounting height 1,500mm (5')



Mounting height 1,300mm (4' 3")



Horizontal

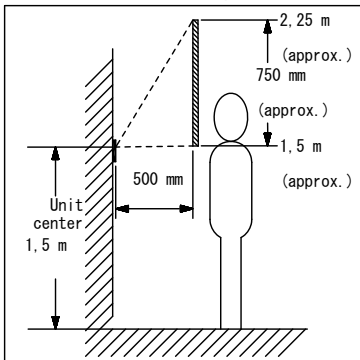


- ◆ An area over a range of approx. 170° in a 500mm (20") radius from the camera displays. (The display range is a rough estimation and may change due to the installation environment.)

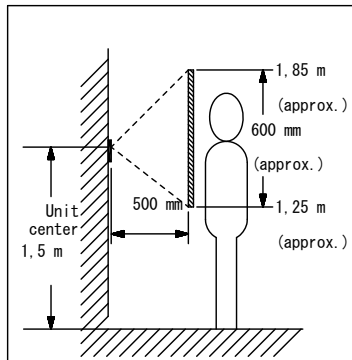
● Zoom (Mounting height: 1,5 m)

Vertical

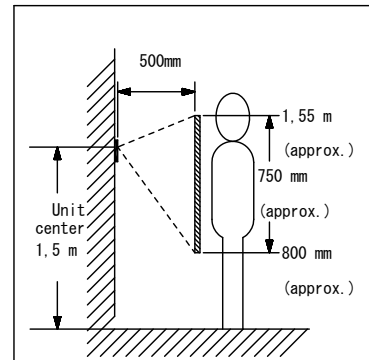
Zoom <top>



Zoom <center>

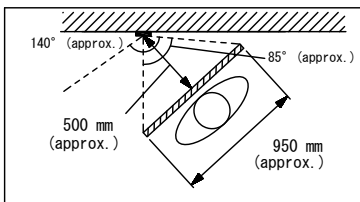


Zoom <bottom>

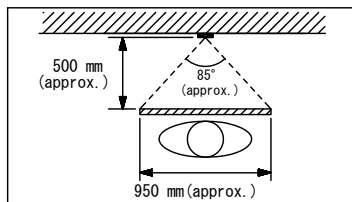


Horizontal

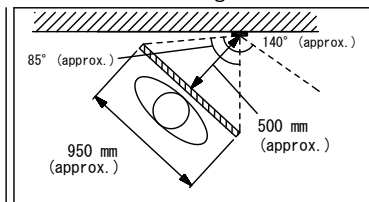
Zoom <left>



Zoom <center>



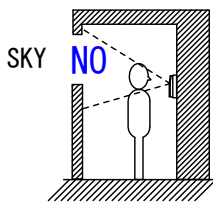
Zoom <right>



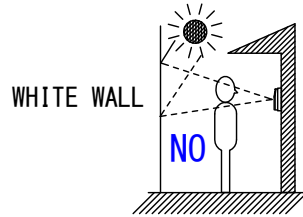
DESCRIPTION <b>VIDEO DOOR STATION (Color)</b>	FIG. NAME <b>WIRING DIAGRAM/IMAGE</b>	UNIT mm	DATE 6 October, 2014
MODEL NO. <b>JP-DA</b>	FIG. NO. 59723-2-3	PAGE 2/3	REVISION 1
			<b>AIPHONE</b>

## ■ RESTRICTIONS

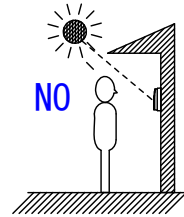
- Do not cover the water escape holes with caulking seals.
- JP-DA door station is exclusively used with JP Series.
- Avoid to install JP-DA in the following locations;



At the Entrance where background is sky in upper floors of Condominiums, etc.



The background of the standing caller's is white wall.



Where the standing location is strongly sunlit.

## ■ FUNCTIONS

- Initiating a call to and entering communication with Master station

DESCRIPTION <b>VIDEO DOOR STATION (Color)</b>	FIG. NAME <b>RESTRICTIONS/FUNCTIONS</b>	UNIT mm	DATE 6 October, 2014
MODEL NO. <b>JP-DA</b>	FIG. NO. 59723-3-3	PAGE 3/3	REVISION 1
			<b>AIPHONE</b>