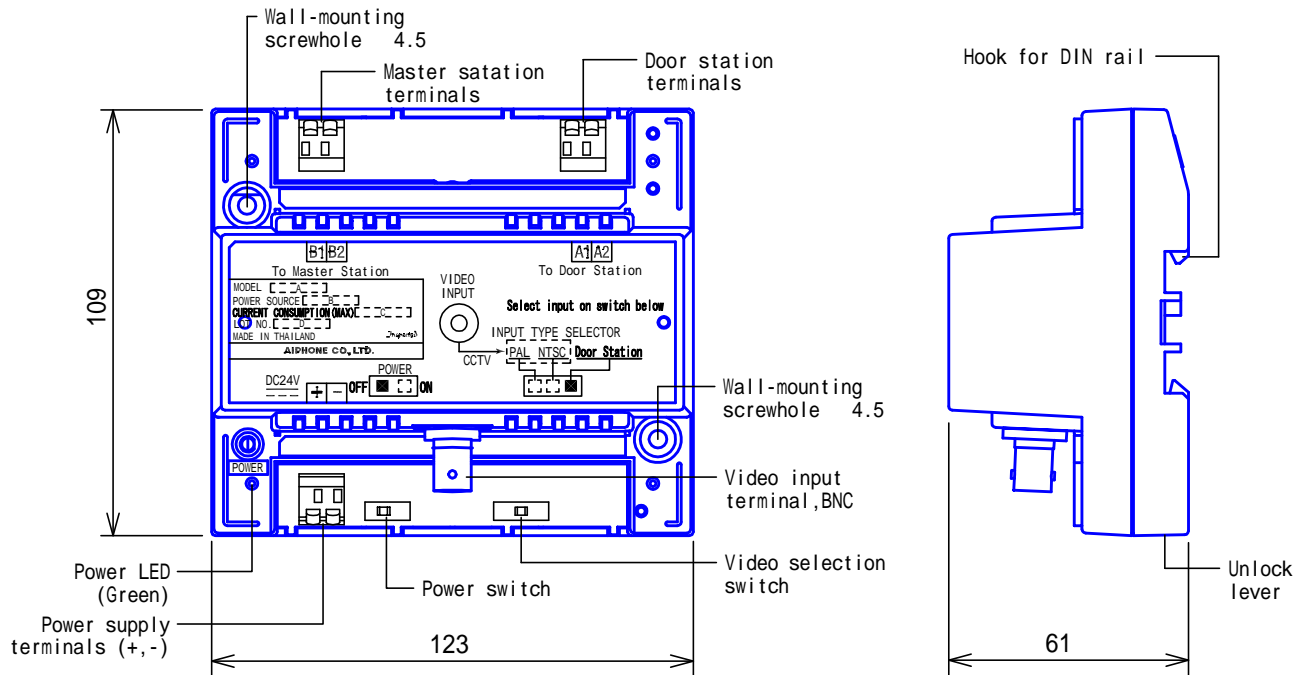
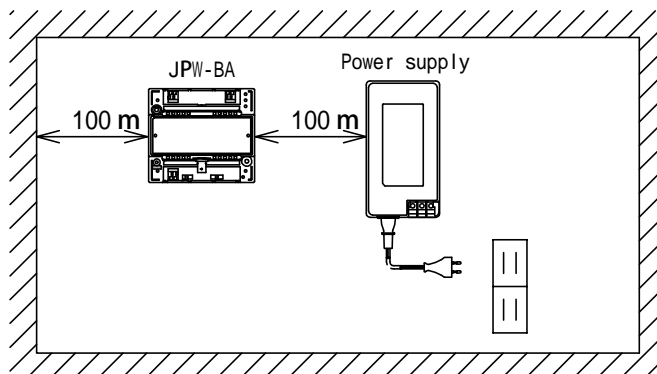


## PRODUCT DRAWING



## MOUNTING

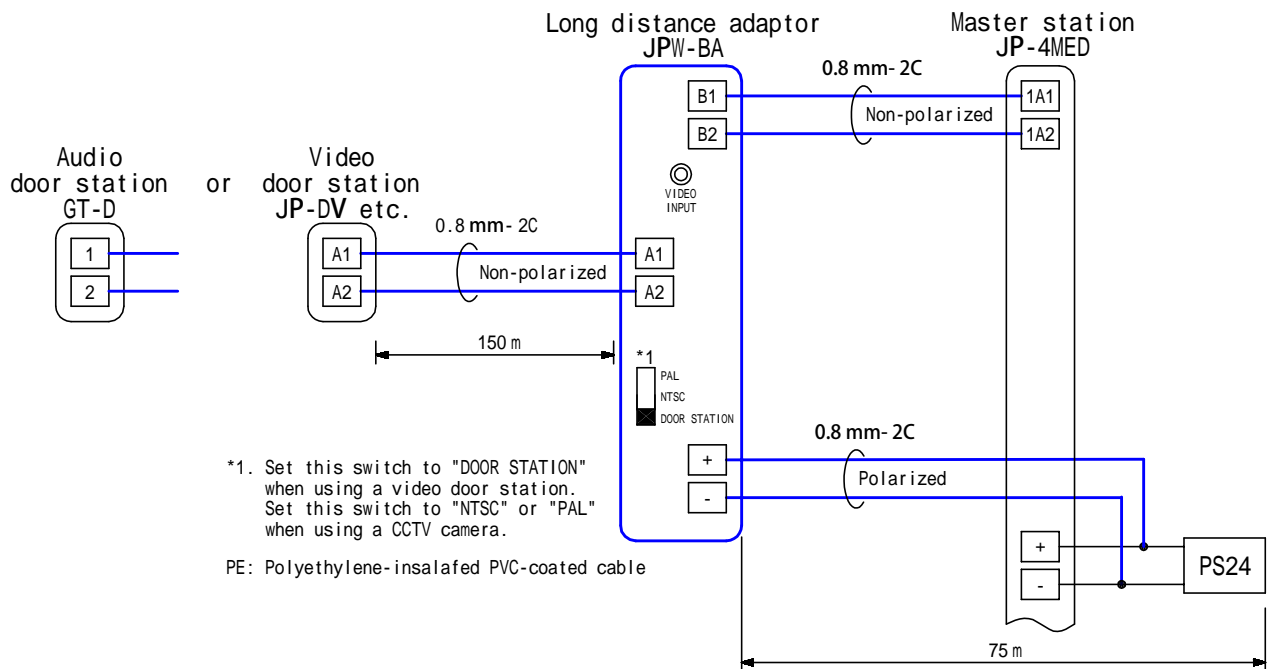


Locate JPW-BA together with Power supply inside an Enclosure box or other protected for limited access.

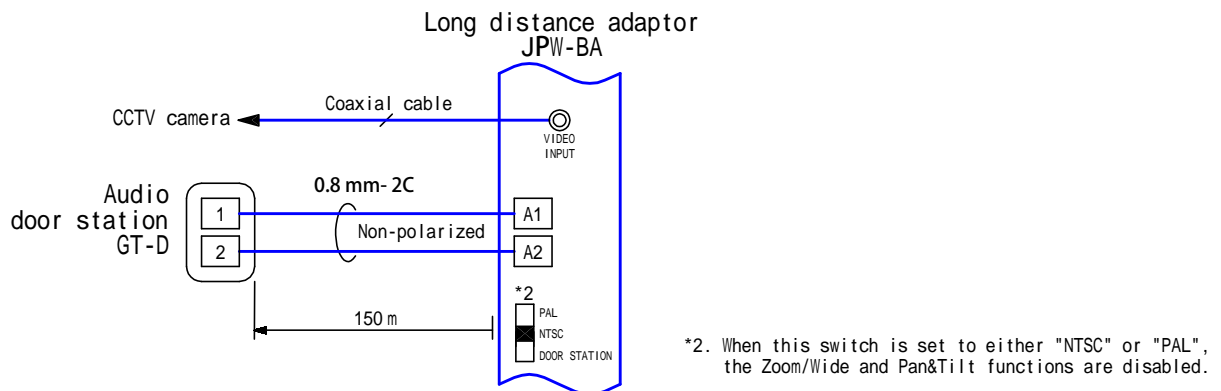
## SPECIFICATIONS

Power source	24V DC. Supplied from Power supply (JP system or separate).		
Current consumption	90mA (max.)		
Wiring distance	0.65	1.0	
JPW-BA - Door station	100m	200m	
JPW-BA - Master station	50m	100m	
JPW-BA - power supply	50m	100m	
Mounting	Surface wall mounting or DIN rail (W-DIN11).		
Housing	Fire-retardant ABS plastic.		
Weight	Approx.200g		
Unit color	Gray (5Y8/1 Munsell Approximation)		
Remarks	Used for; JP-4MED		
DESCRIPTION LONG DISTANCE ADAPTOR (JP series)	FIG. NAME PRODUCT/SPECIFICATIONS	UNIT mm	DATE 20 September, 2012
MODEL NO. JPW-BA	FIG.NO. J59068-1-2	PAGE 1/2	REVISION 1 <b>AIPHONE</b>

## WIRING DIAGRAM



- Connecting a CCTV camera and an audio door station in place of a video door station



## RESTRICTIONS

JPW-BA is compatible only with JP series.

When a single Power supply is used for both Master station and JMW-BA, do not common connecting wires.

Power supply for JPW-BA shall be for the same DC 24V voltage as for Master station.

## FUNCTIONS

Enabling a Video door station to be installed max. 300m away from (Sub) Master station.

DESCRIPTION LONG DISTANCE ADAPTOR (JP series)	FIG. NAME WIRING/RESTR./FCN.	UNIT mm	DATE 20 September, 2012
MODEL NO. JPW-BA	FIG.NO. J59068-2-2	PAGE 2/2	REVISION 1
			<b>AIPHONE</b>