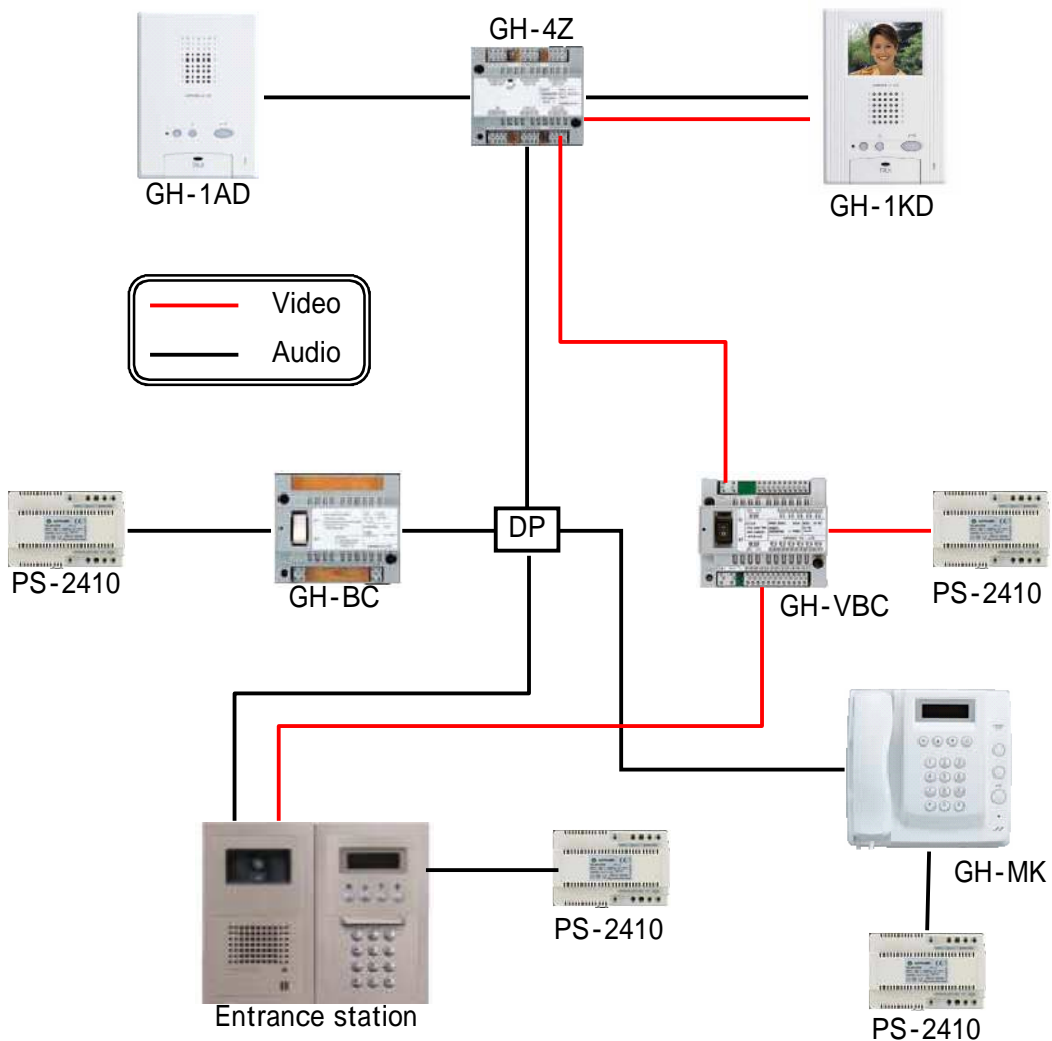


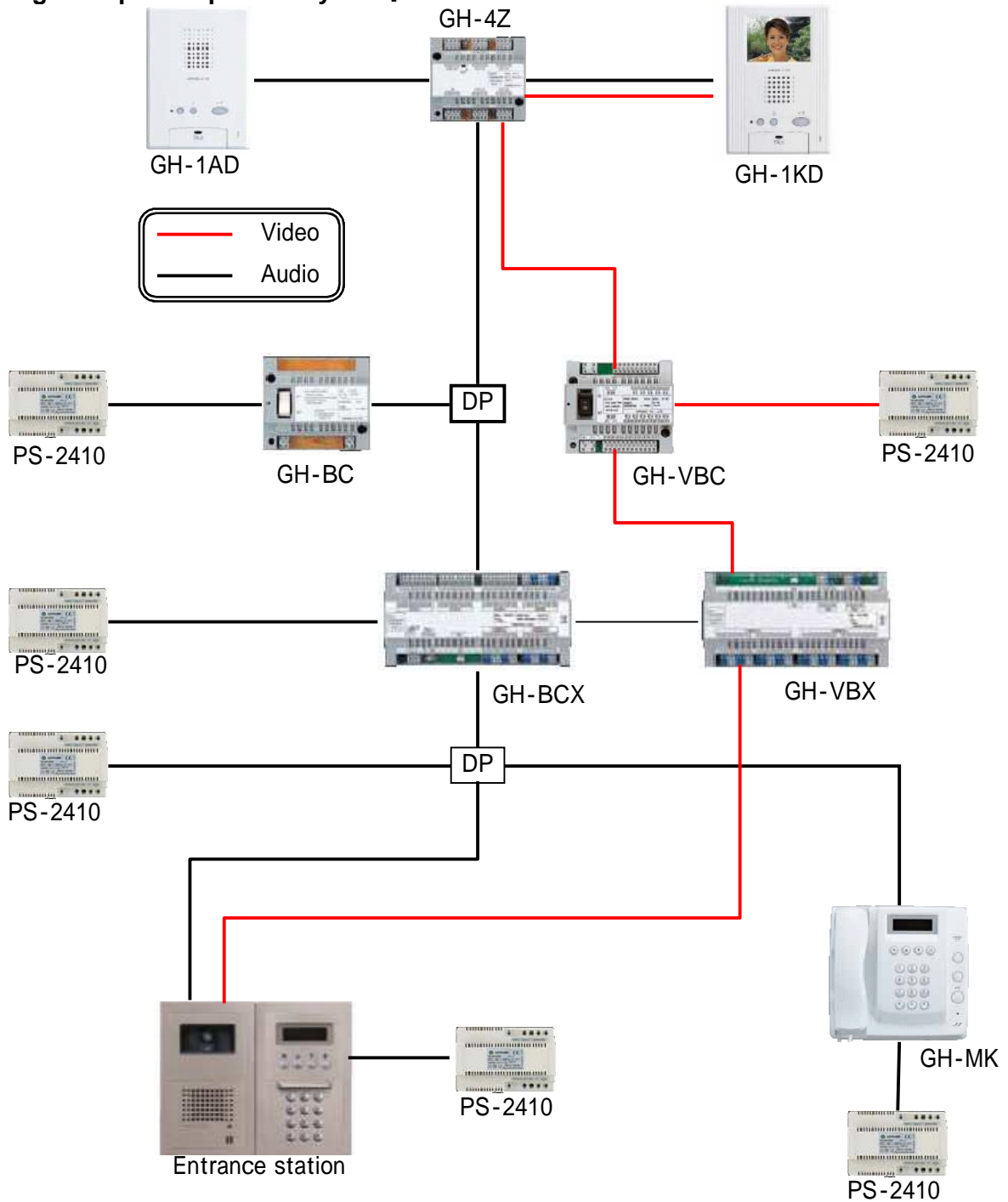
| |
|-------------------|
| GH System |
| Using CAT5e cable |

- SYSTEM/MODEL:** GH Standard System and Expanded System
- MODIFICATION:** Using CAT5e instead of PE cable
- DIFFICULTY LEVEL:** Level 1 - Easy - Wire Connection Only
- COMPONENTS REQUIRED:** No
- APPLICATION:** Apartment
- INSTR/OPERATION:** System layout & installation are same as GH system. Specification of wiring distance are fig.1. And how to bundle wiring is shown in fig2.

[Wiring example : Standard system]



[Wiring example : Expanded system]



GENERAL PRECAUTIONS:

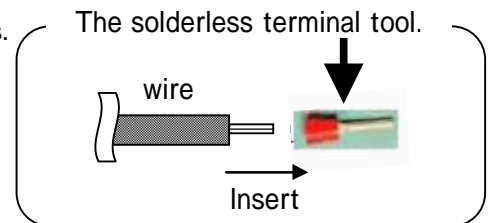
Please note that modifying a unit will not void its warranty unless while doing the modification you damage the unit. Aiphone is not liable for any damage caused during modification. Modifications should only be performed by a person with the skills and knowledge necessary to successfully complete the modification. Modification levels are broken down into 5 levels, based on their difficulty.

- Level 1 - Easy - Wire Connection Only
- Level 2 - Easy/Moderate - Component Connection to External points.
- Level 3 - Moderate - Removal and replacement of internal Components.
- Level 4 - Moderate/Hard - Internal connection or component addition.
- Level 5 - Hard - Circuit Creation and Internal Addition.

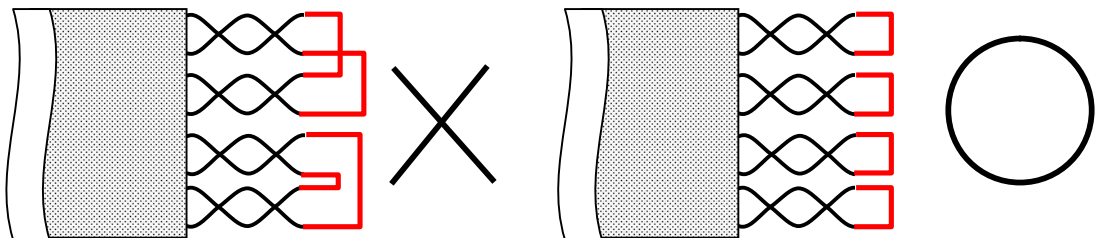
FIG.1 Specifications of Wiring distance

| Diameter of wires | PE cable | CAT5e | Equivalent with PE 0.8mm. |
|---------------------------------------|-------------|----------------------|------------------------------|
| | 0.8 mm | 4wires in 1 line | |
| | (20 AWG) | correspond 0.88mm | |
| GH-BC - DP | | 5m | |
| DP - GH-DA | | 300m | |
| GH-VBC - GH-VA | | 300m | |
| GH-MK - DP | | 300m | |
| DP - farthest residential station | | 300m | |
| GH-VBC (1monitor/residence) | Color | 150m | |
| | Black/White | - | |
| GH-VBC (2monitor/residence) | Color | 100m | |
| | Black/White | - | |
| GH-VBC (SW: STD) | | 150m | |
| GH-BC - power supply | | 5m | |
| GH-VBC - power supply | | 5m | |
| GH-NS - power supply | | 300m | |
| GH-MK - power supply | | 300m | |
| Standard system | | 2500m | |
| GH-BCX - power supply | | 5m | |
| GH-BC - GH-BCX | | 300m | |
| GH-VBC - GH-VBX | | 150m | |
| GH-DA - GH-BCX | | 300m | |
| GH-VA - GH-VBX | | 300m | |
| Expanded system | | | |
| total per Common trunk line(max:2) | | 2500m | |
| Expanded system | | 2500m | |

[Note] 1.Please use a solderless terminal tool to bundle wires.



- 2.Do not use CAT5 cable. CAT5 has the less capacity of signal transmission.
- 3.Do not break the pair cable.



Example : 4 wires in 1 line

