

### COMPONENTS

#### Central unit 24VDC

aluminium housing, dim.: 135 x 165 x 40 mm

#### Microphones

Type: *electret*

- directional swan-neck microphone, ABS case, with plug and jack  
swan-neck microphone, stainless steel case, with plug and jack
- omnidirectional in stainless steel capsule

#### Loudspeakers

- Type: pressure chamber loudspeaker, 6W/8Ω
- Type: flush-mounted ceiling loudspeaker, 6W/20Ω

25kΩ potentiometer with cable lugs

### Technical Data:

#### Supply voltage range:

min. 18V  
type 24V  
max. 30V

#### Power consumption:

max. 2,5A

#### Output power:

2 x 22W at 4Ω  
1 x 5W at 8Ω

#### Input sensitivity X 2, 1-2

DIP-SW1.3 ON  
DIP-SW1.4 OFF -57dB  
DIP-SW1.3 OFF  
DIP-SW1.4 ON -44dB

#### Setting range:

bass +/- 12dB at 125Hz  
treble +/- 12dB at 10kHz  
balance 13dB  
external  
potentiometer 30dB

#### Input sensitivity X 2, 4-5

DIP-SW1.1 OFF  
DIP-SW1.2 ON -50dB  
DIP-SW1.1 ON  
DIP-SW1.2 OFF -30dB

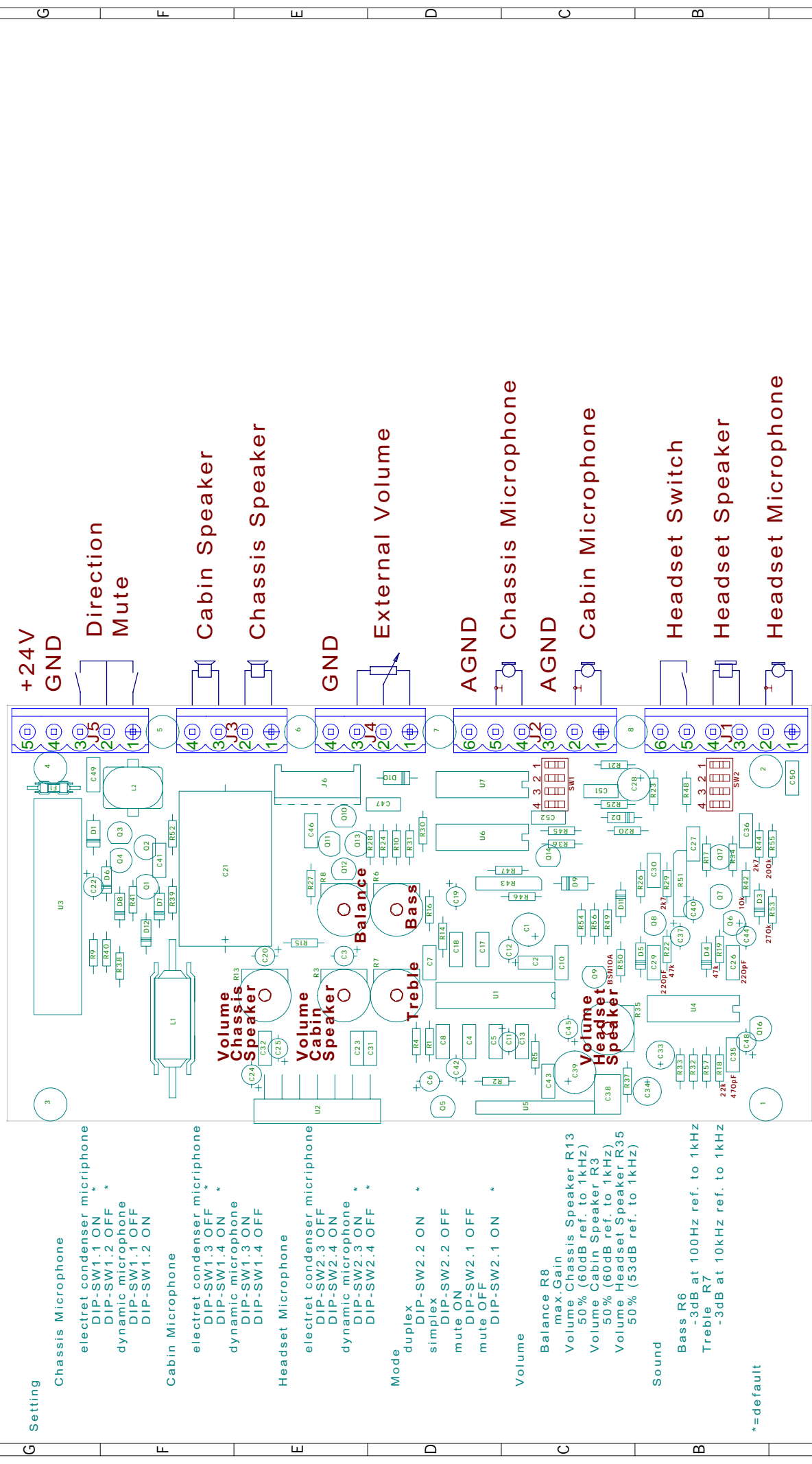
#### Selection of signal path:

SW X 1, 4 - 5 open  
X 2, 4-5 → X 4, 3-4  
X 2, 1-2 → X 4, 1-2  
closed  
X 1, 1-2 → X 4, 3-4  
X 2, 1-2 → X 1, 3-4

#### Input sensitivity X 1, 1-2

DIP-SW2.3 OFF  
DIP-SW2.4 ON -46dB  
DIP-SW2.3 OFF  
DIP-SW2.4 ON -31dB

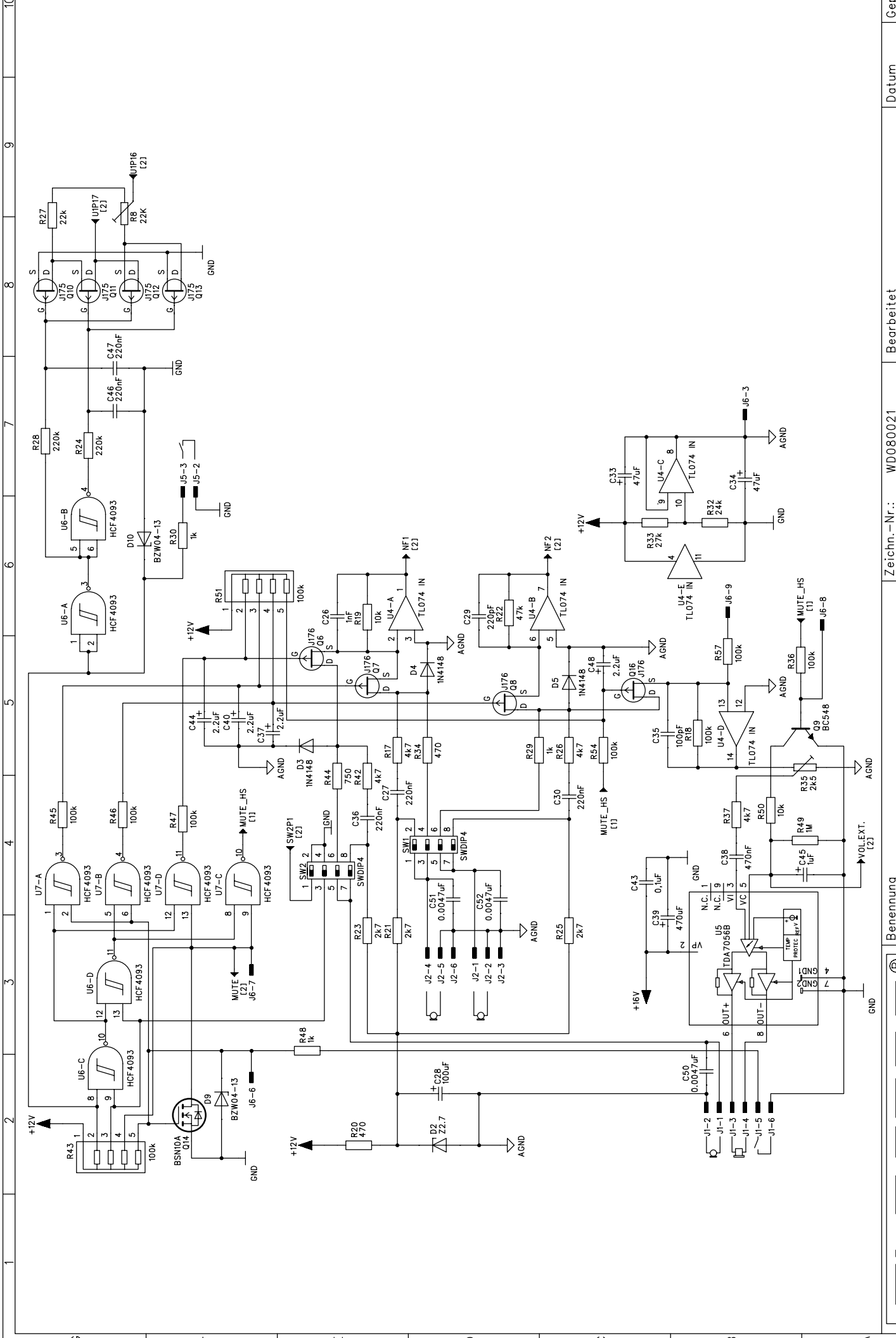
10 9 8 7 6 5 4 3 2 1

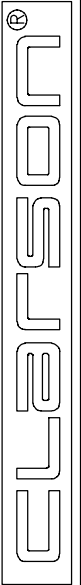


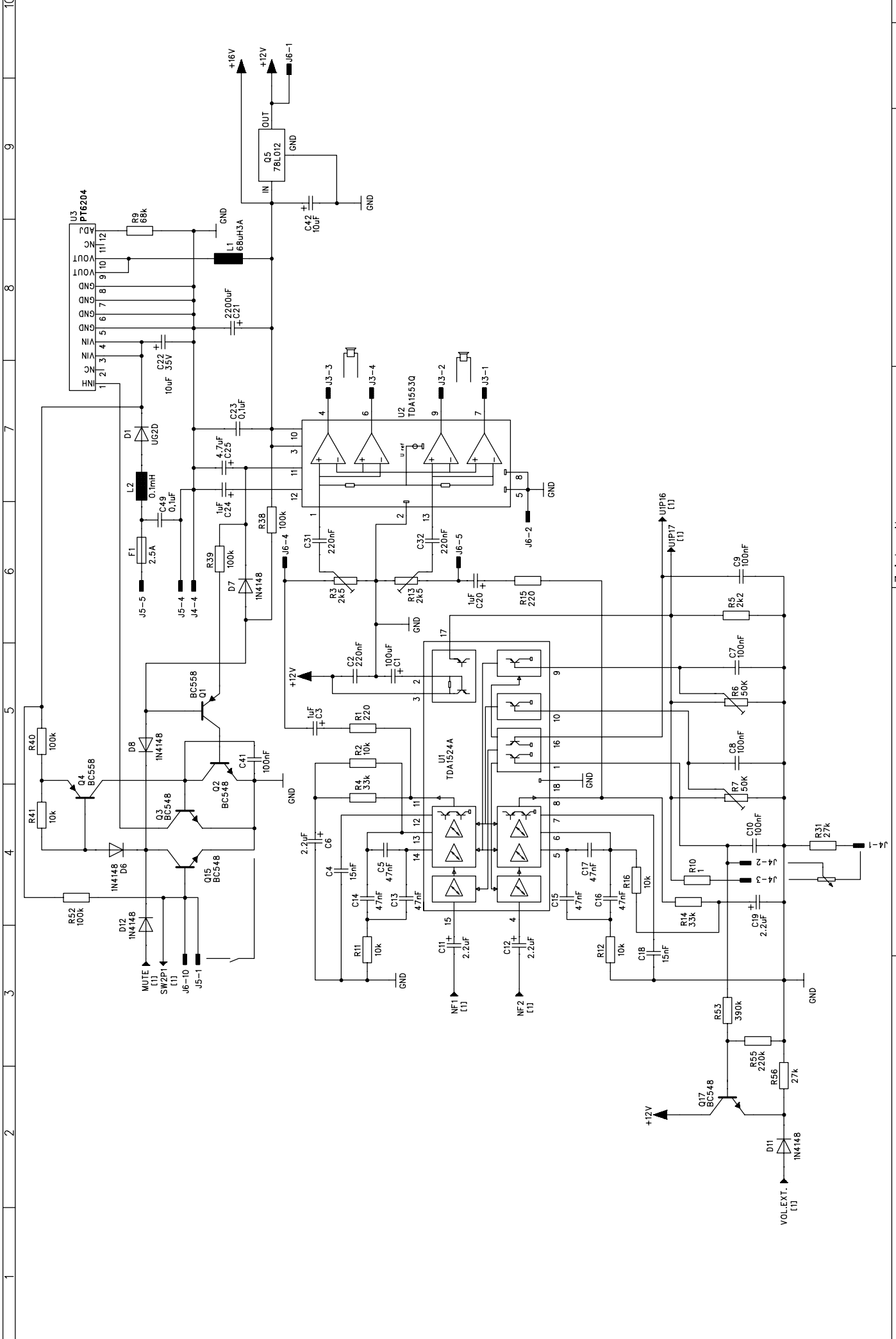
- G Setting**
- Chassis Microphone
    - electret condenser microphone
      - DIP-SW1.1 ON \*
      - DIP-SW1.2 OFF \*
    - dynamic microphone
      - DIP-SW1.1 OFF
      - DIP-SW1.2 ON
  - Cabin Microphone
    - electret condenser microphone
      - DIP-SW1.3 OFF \*
      - DIP-SW1.4 ON \*
    - dynamic microphone
      - DIP-SW1.3 ON
      - DIP-SW1.4 OFF
  - Headset Microphone
    - electret condenser microphone
      - DIP-SW2.3 OFF
      - DIP-SW2.4 ON
    - dynamic microphone
      - DIP-SW2.3 ON \*
      - DIP-SW2.4 OFF \*
  - Mode
    - duplex
      - DIP-SW2.2 ON \*
    - simplex
      - DIP-SW2.2 OFF
    - mute ON
      - DIP-SW2.1 OFF
    - mute OFF
      - DIP-SW2.1 ON \*
  - Volume
    - Balance R8
      - max. Gain
    - Volume Chassis Speaker R13
      - 50% (60dB ref. to 1kHz)
    - Volume Cabin Speaker R3
      - 50% (60dB ref. to 1kHz)
    - Volume Headset Speaker R35
      - 50% (53dB ref. to 1kHz)
  - Sound
    - Bass R6
      - 3dB at 100Hz ref. to 1kHz
    - Treble R7
      - 3dB at 10kHz ref. to 1kHz
- \* = default

<b>TITLE</b>		DOCUMENT NUMBER	DRAWN	DATE	REV
CarCom 24V		WNO80025	G.T.	02.03.04	
Kaj Larsen Communication A/S		Copyright Clarson Apparatbau GmbH ALL RIGHTS RESERVED			Sheet 10f 1
1		2	3	4	5
6		7	8	9	10





		Benennung		Zeichn.-Nr.: WDD080021		Bearbeitet		Datum		Geprüft	
		CarCom		Alle Rechte dieser Schaltung vorbehalten		GT		29.01.03		Blatt: 1 von 2	



Benennung		Zeichn.-Nr.: WDD080021		Bearbeitet		Datum		Geprüft	
CarCom		Bereich:		GT		29.01.03			
		Alle Rechte dieser Schaltung vorbehalten						Blatt: 2 von 2	
1	2	3	4	5	6	7	8	9	10

