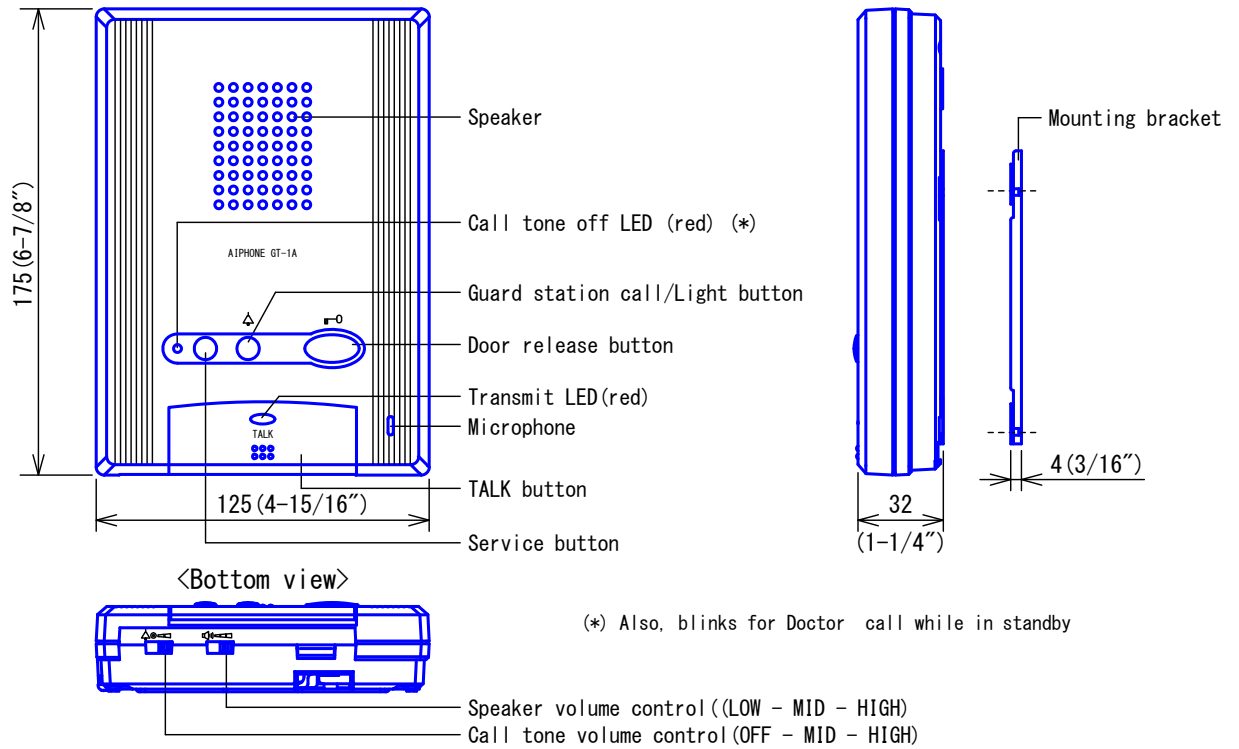
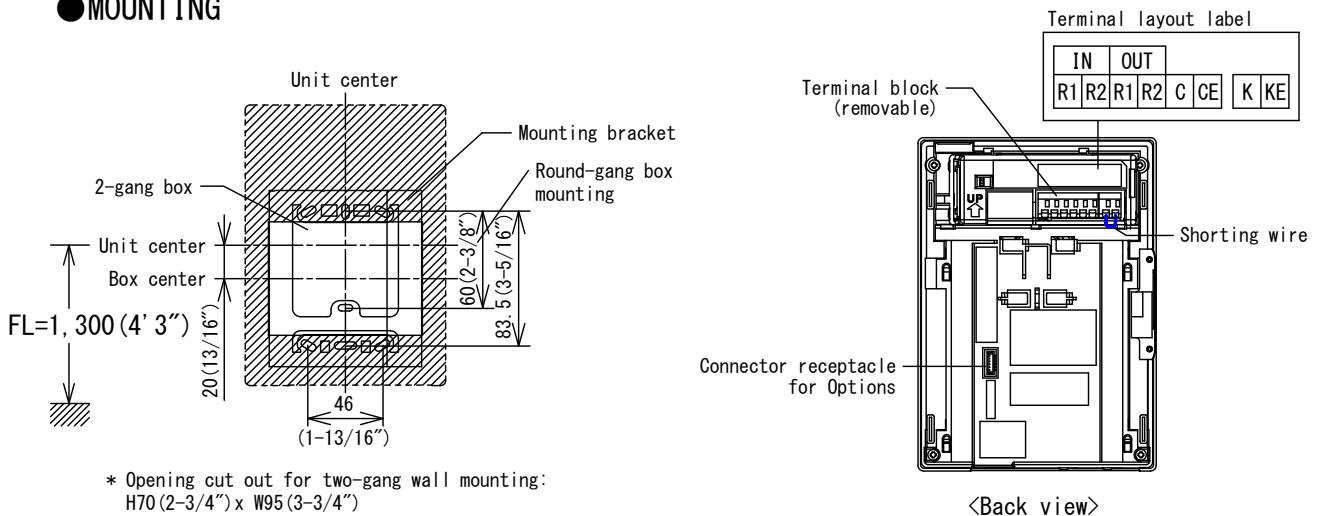


PRODUCT DRAWING



MOUNTING



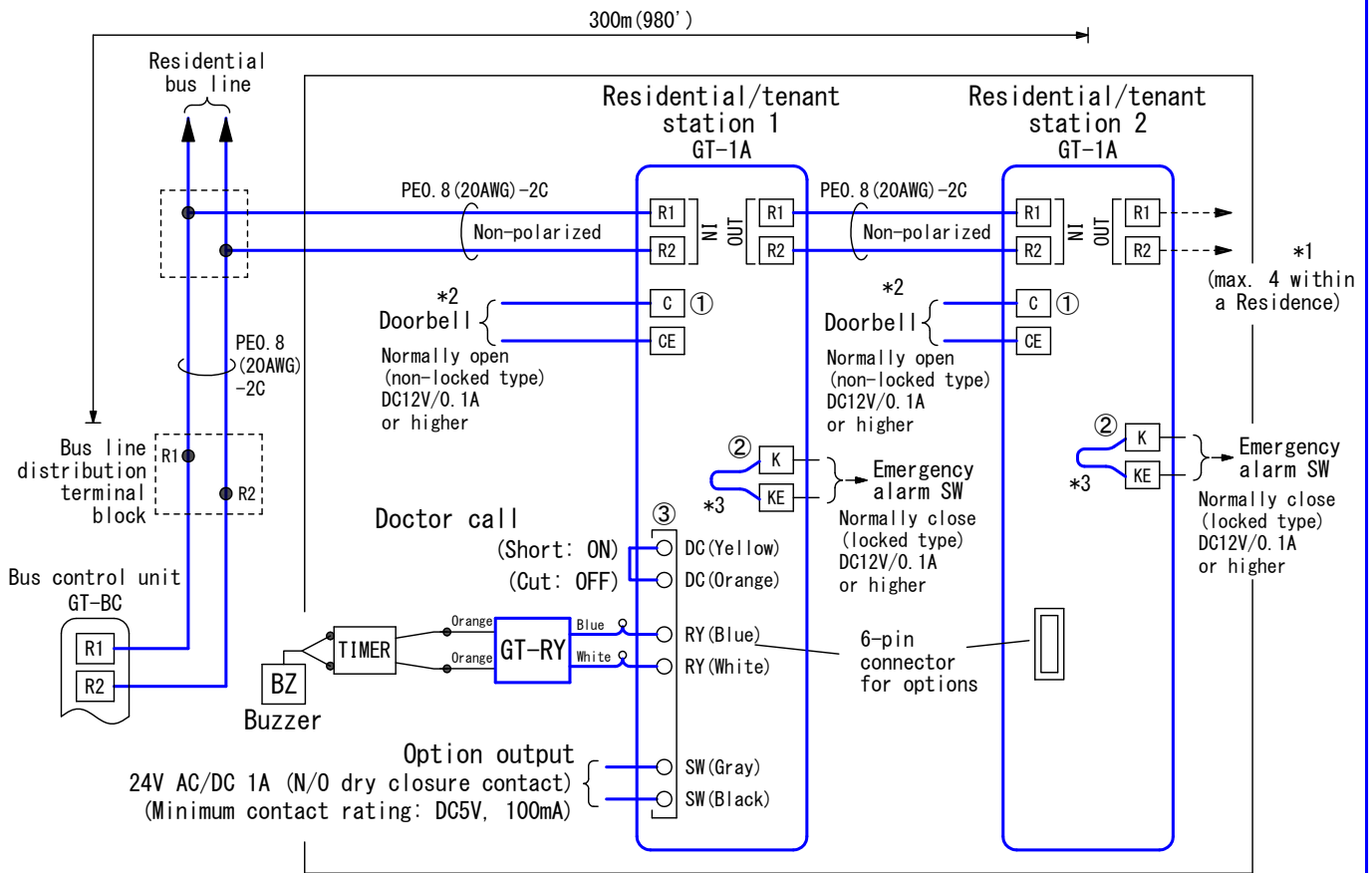
SPECIFICATIONS

Power source	Supplied from GT-BC
Type of communication	Open voice handsfree communication (auto voice actuation or press-to-talk)
Ambient temperature	0~40°C (32~104° F)
Capacity	Doorbell: 1
Mounting	Surface wall-mount
Electrical box	Two-gang box
Material	Self-extinguishing ABS plastic
Weight	330g (approx.) (0.73 lbs)
Unit color	Snow white (5Y9.3/0.1 Munsell Approximation)

DESCRIPTION (Audio)	FIG. NAME	UNIT	DATE
RESIDENTIAL/TENANT STATION	PRODUCT/SPECIFICATIONS	mm	11 July, 2017
MODEL NO.	FIG. NO.	PAGE	REVISION
GT-1A	G57716-1-3	1/3	2

AIPHONE

■ WIRING DIAGRAM



- *1: When installing 2 to max. 4 Residential/tenant stations within a Residence, extend 2 wires from the Bus trunk line, or from the anterior station. And have the same (or different) number programmed at each Entrance station and Guard station. (No communication between the Residential/tenant stations)
- *2: Do not connect in parallel Doorbell or Emergency alarm switch.
Doorbell: Run individual 2 wires from each GT-1A Station.
Emergency alarm switch: Install a separate Emergency alarm switch for each GT-1A station.
- *3: Keep **[K]** & **[KE]** shorted, if not used.
- PE: Polyethylene-insulated PVC jacket cable

Input capacity ratings: ① & ②: Less than 10k Ω , 1mA ~ (Normally open).
③: Maximum permissible load 24V AC/DC, 1A
Minimum permissible load 5V DC, 100mA

■ RESTRICTIONS

- Max. distance of 300m (980') from Bus control unit (GT-BC) to the farthest Residential/tenant station (Audio).
- Not more than 48 GT-1A stations shall be connected per Bus line (R1, R2).

DESCRIPTION	(Audio)	FIG. NAME	UNIT	DATE
RESIDENTIAL/TENANT STATION		WIRING/RESTRICTIONS	mm	5 July, 2017
MODEL NO.		FIG. NO.	PAGE	REVISION
GT-1A		G57716-2-3	2/3	2

AIPHONE

■ **FUNCTIONS**

- Receiving a call and communication with Entrance station
(Handsfree auto voice actuation or Press-to-talk. Hold down "TALK" more than 1 sec. for the latter)
- Having door release activated with Door release button
- Calling and communication with Guard station, both ways
- Receiving a tone call from Doorbell at the door
- Light control available when receiving a call from Entrance station
- Receives and transfers an Emergency call to Guard station, and receives an instant callback
- Alarm sound and transfer to Guard station triggered by broken wire

■ **SETTING**

- Adjusting Call tone volume (OFF - MID - HIGH) with Call tone volume control
(When the switch is put to OFF position, the tone-off blinker notifies.)
- Adjusting Speaker volume (LOW - MID - HIGH) with Speaker volume control

DESCRIPTION RESIDENTIAL/TENANT STATION	(Audio)	FIG. NAME FUNCTIONS/SETTING	UNIT mm	DATE 5 July, 2017
MODEL NO. GT-1A		FIG. NO. G57716-3-3	PAGE 3/3	REVISION 2
				AIPHONE