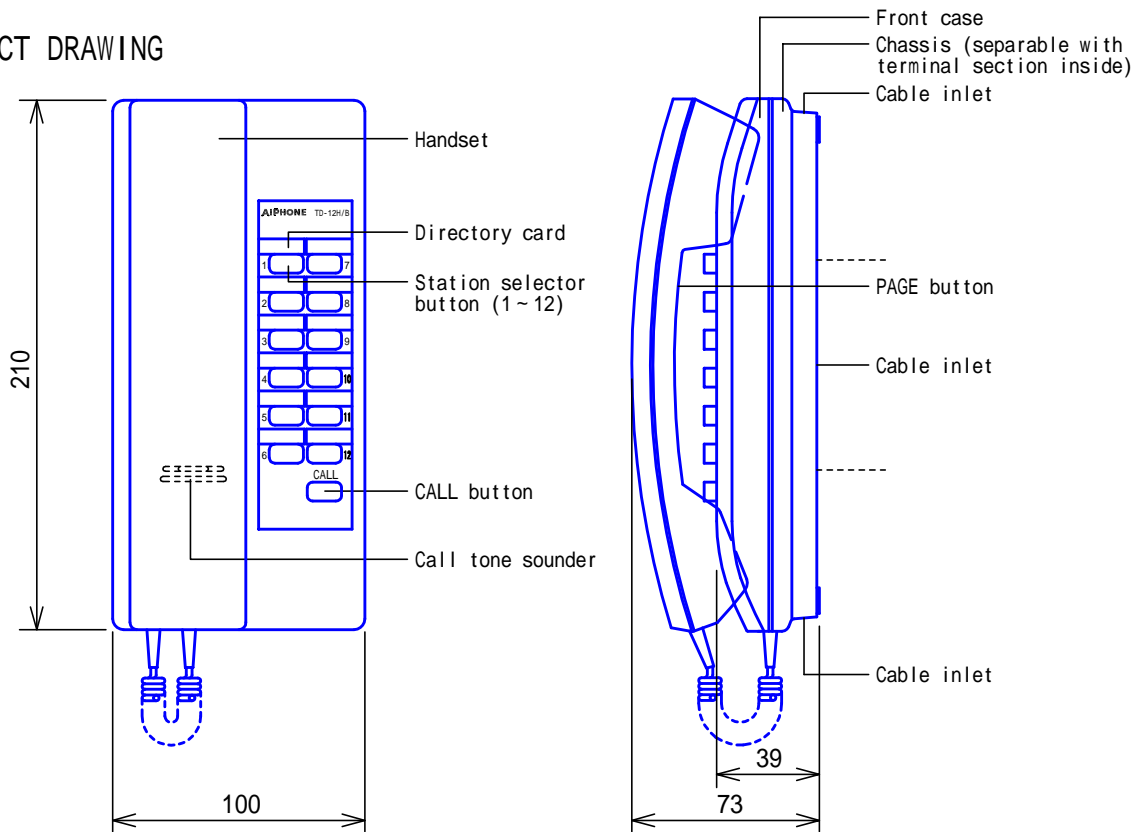
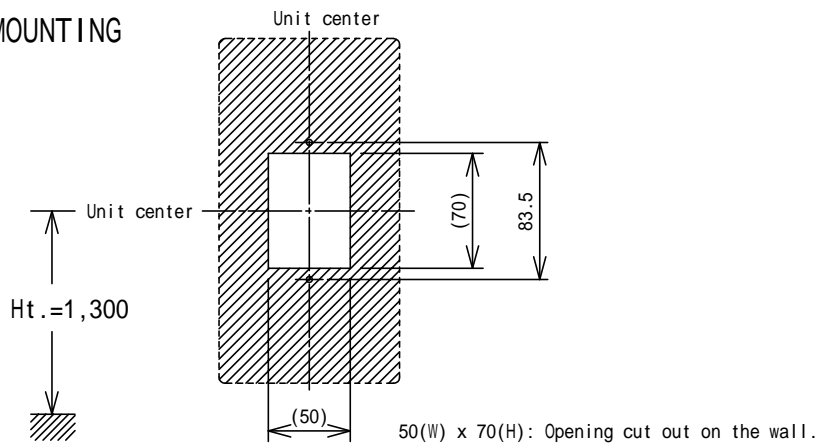


## PRODUCT DRAWING



## MOUNTING



## SPECIFICATIONS

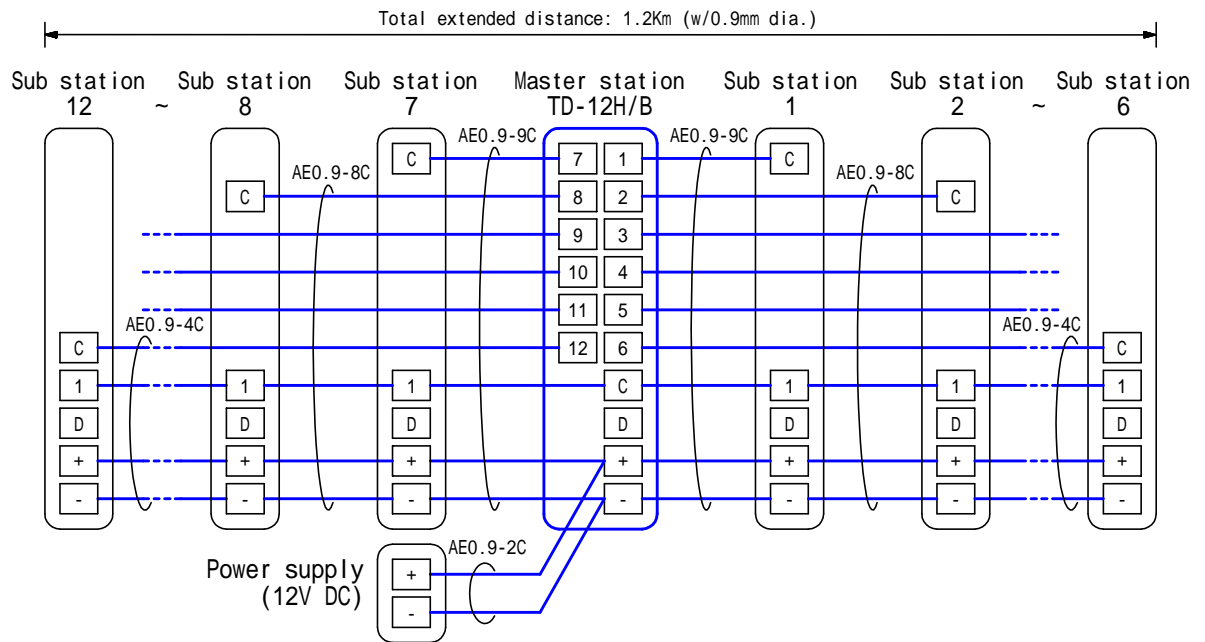
Power source	DC 12V (Use a Power supply PS-1225S/UL)
Current consumption	60mA (max.)
Type of communication	Handset simultaneous communication
Station capacity	Up to 12 Master or Sub stations
Call tone	Electronic tone (from other Master or Sub station). Intermittent electronic tone, slow or fast (from Door station)
Mounting	Desk-top or wall-mount. For desk-top use, install a Terminal box (TDW-12/A).
Electrical box	Single-gang box
Housing	ABS plastic
Weight	460g (approx.)
Unit color	Snow white & gray, 2-tone

DESCRIPTION MASTER STATION (12-call)	FIG. NAME PRODUCT/SPECIFICATIONS	UNIT mm	DATE 21 March, 2011
MODEL NO. TD-12H/B	FIG.NO. 44783321-1-3	PAGE 1/3	REVISION 3

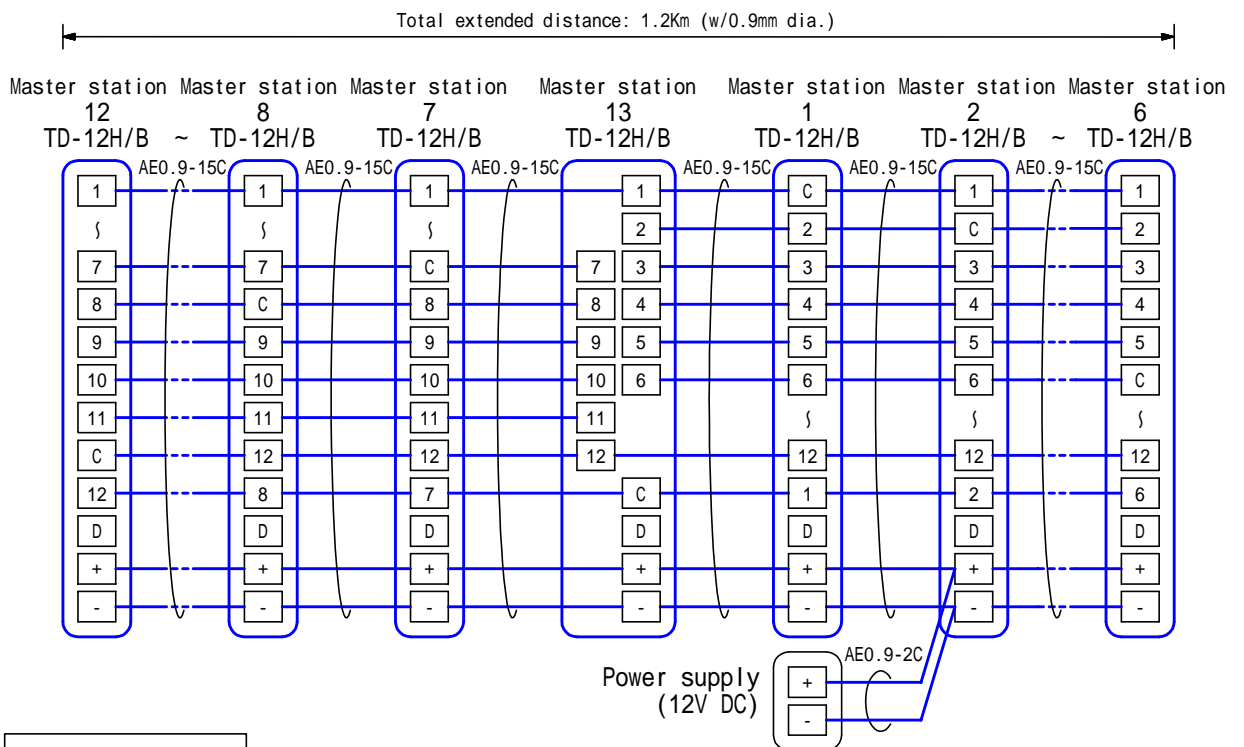
**AIPHONE**

# WIRING DIAGRAM

## Single-master system



## All-master system



## Intermix system

Combines Single-master & All-master systems into one system.

DESCRIPTION <b>MASTER STATION (12-ca11)</b>	FIG. NAME <b>WIRING DIAGRAM</b>	UNIT mm	DATE 26 March, 2003
MODEL NO. <b>TD-12H/B</b>	FIG.NO. 44783321-2-3	PAGE 2/3	REVISION 3
			<b>AIPHONE</b>

## RESTRICTIONS

TD-H/B models only are useable within a system, intermixable.

Install a Power supply (12V DC) around the center of an entire cable run.

To include paging function, it becomes necessary to add a paging adaptor (PD-1 or PD-2) and an appropriate paging amplifier for the external speakers.

(Consumes one potential station).

For a door station, install a door station adaptor (DE-UR) for each door (Consumes one potential station).

## FUNCTIONS

Placing or receiving a call and communication with a Master or Sub station.

Depress a Station selector button and CALL button, and enter communication when the opponent station lifts handset.

Receiving a call from door station and answering after depressing a corresponding Station selector button, if installed.

Paging through external speakers, depressing PAGE button (when a Paging adaptor (PD-1 or PD-2) is installed with a Paging amplifier)

Having an external signaling device, buzzer, etc. activated when the station is called by others (when a Relay unit is installed to the station)

DESCRIPTION MASTER STATION (12-call)	FIG. NAME RESTRICTIONS/FUNCTIONS	UNIT mm	DATE 27 March, 2002
MODEL NO. TD-12H/B	FIG.NO. 44783321-3-3	PAGE 3/3	REVISION 1
			<b>AIPHONE</b>