

COMPONENTS

Central unit 24VDC

aluminium housing, dim.: 135 x 165 x 40 mm

Microphones

Type: *electret*

- directional swan-neck microphone, ABS case, with plug and jack
swan-neck microphone, stainless steel case, with plug and jack
- omnidirectional in stainless steel capsule

Loudspeakers

- Type: pressure chamber loudspeaker, 6W/8Ω
- Type: flush-mounted ceiling loudspeaker, 6W/20Ω

25kΩ potentiometer with cable lugs

Technical Data:

Supply voltage range:

min. 18V
type 24V
max. 30V

Input sensitivity X 2, 1-2

DIP-SW1.3 ON
DIP-SW1.4 OFF -57dB
DIP-SW1.3 OFF
DIP-SW1.4 ON -44dB

Input sensitivity X 2, 4-5

DIP-SW1.1 OFF
DIP-SW1.2 ON -50dB
DIP-SW1.1 ON
DIP-SW1.2 OFF -30dB

Input sensitivity X 1, 1-2

DIP-SW2.3 OFF
DIP-SW2.4 ON -46dB
DIP-SW2.3 OFF
DIP-SW2.4 ON -31dB

Power consumption:

max. 2,5A

Output power:

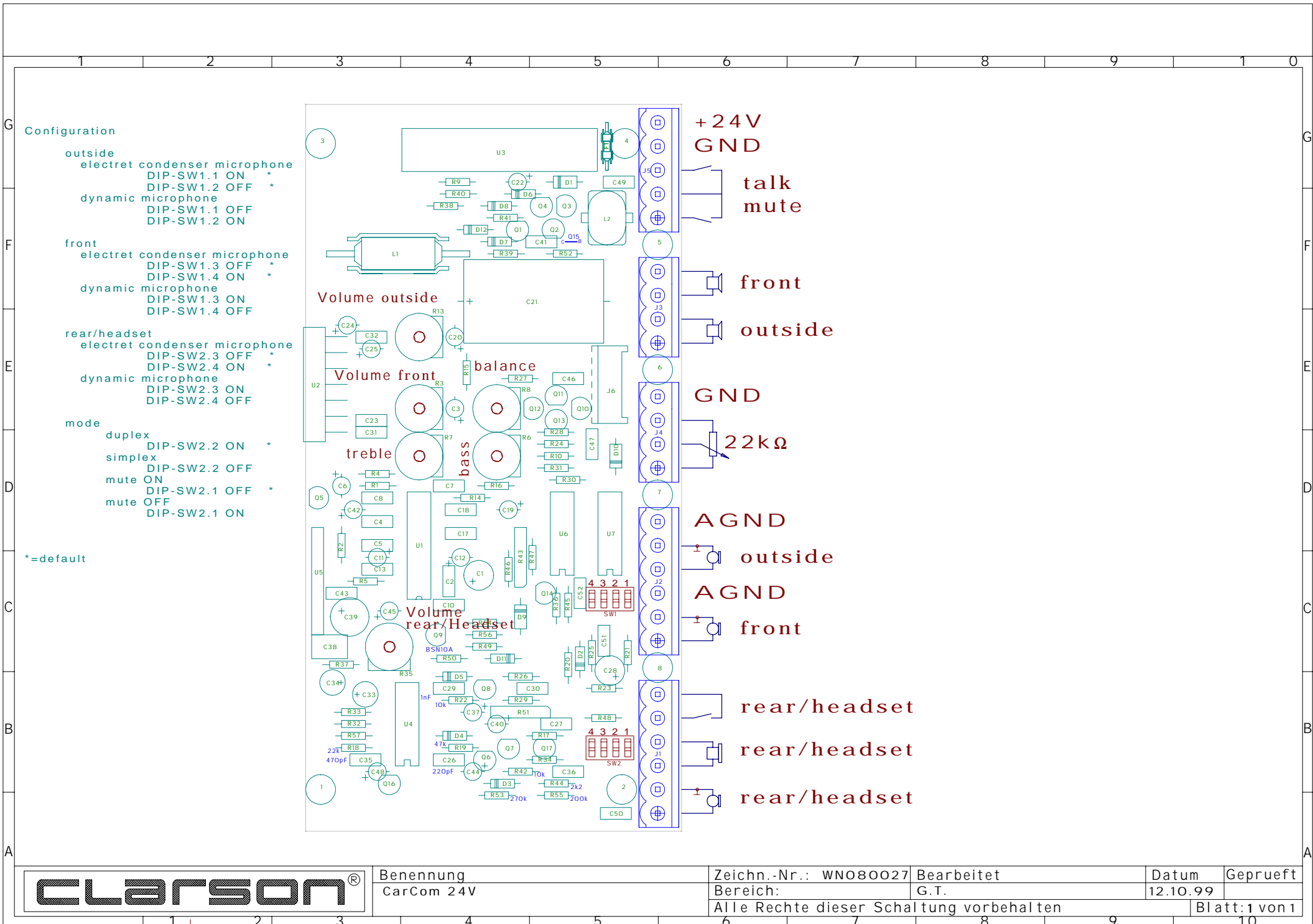
2 x 22W at 4Ω
1 x 5W at 8Ω

Setting range:

bass +/- 12dB at 125Hz
treble +/- 12dB at 10kHz
balance 13dB
external
potentiometer 30dB

Selection of signal path:

SW X 1, 4 - 5 open
X 2, 4-5 → X 4, 3-4
X 2, 1-2 → X 4, 1-2
closed
X 1, 1-2 → X 4, 3-4
X 2, 1-2 → X 1, 3-4



Configuration

- outside**
 - electret condenser microphone
 - DIP-SW1.1 ON *
 - DIP-SW1.2 OFF *
 - dynamic microphone
 - DIP-SW1.1 OFF
 - DIP-SW1.2 ON
- front**
 - electret condenser microphone
 - DIP-SW1.3 OFF *
 - DIP-SW1.4 ON *
 - dynamic microphone
 - DIP-SW1.3 ON
 - DIP-SW1.4 OFF
- rear/headset**
 - electret condenser microphone
 - DIP-SW2.3 OFF *
 - DIP-SW2.4 ON *
 - dynamic microphone
 - DIP-SW2.3 ON
 - DIP-SW2.4 OFF
- mode**
 - duplex
 - DIP-SW2.2 ON *
 - simplex
 - DIP-SW2.2 OFF
 - mute ON
 - DIP-SW2.1 OFF *
 - mute OFF
 - DIP-SW2.1 ON

*=default



Benennung
CarCom 24V

Zeichn.-Nr.: WNO80027

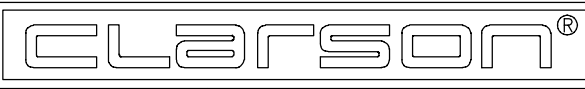
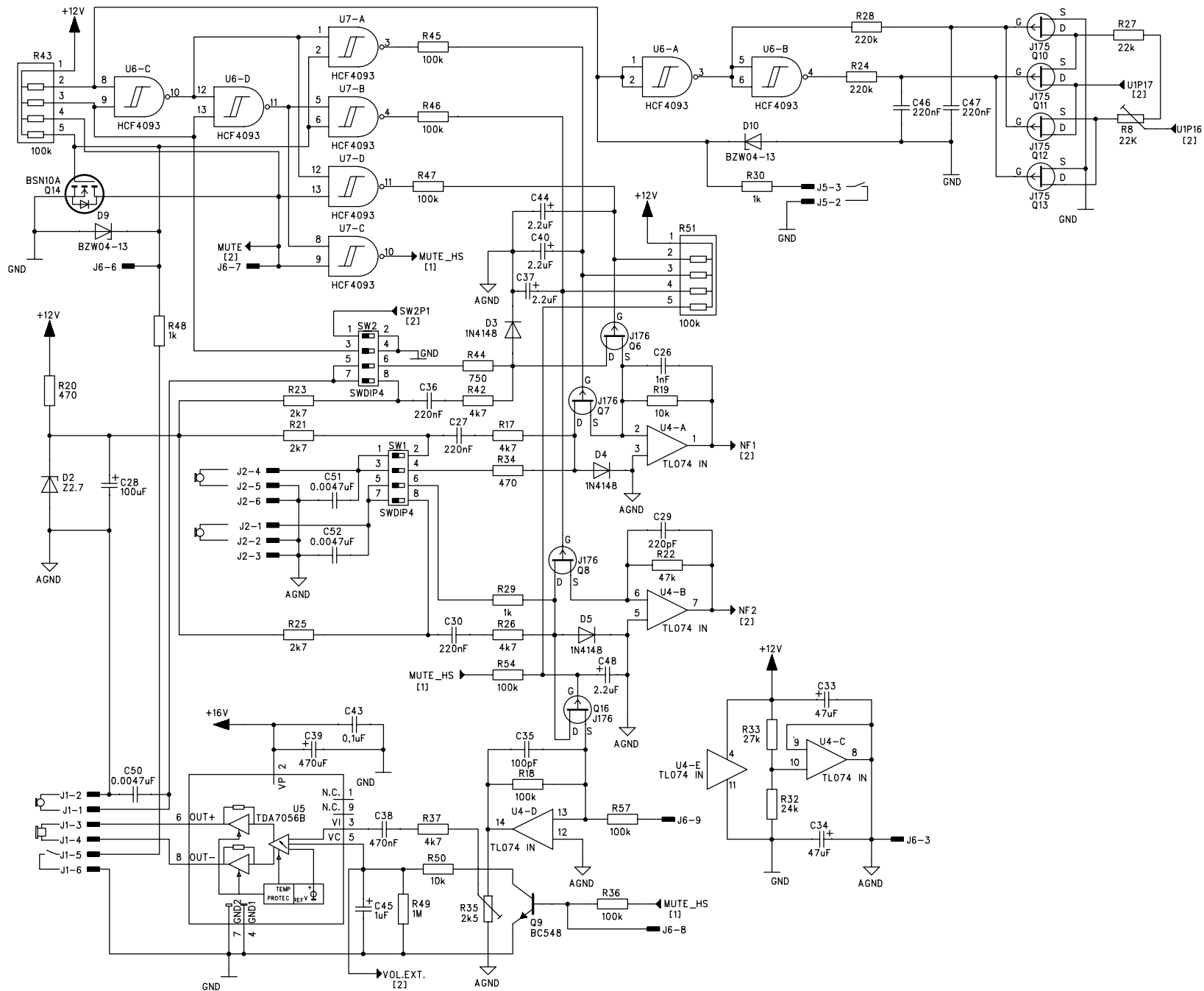
Bearbeitet
G.T.

Datum
12.10.99

Geprüft

Bereich:
Alle Rechte dieser Schaltung vorbehalten

Blatt: 1 von 1



Benennung
CarCom

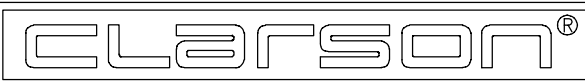
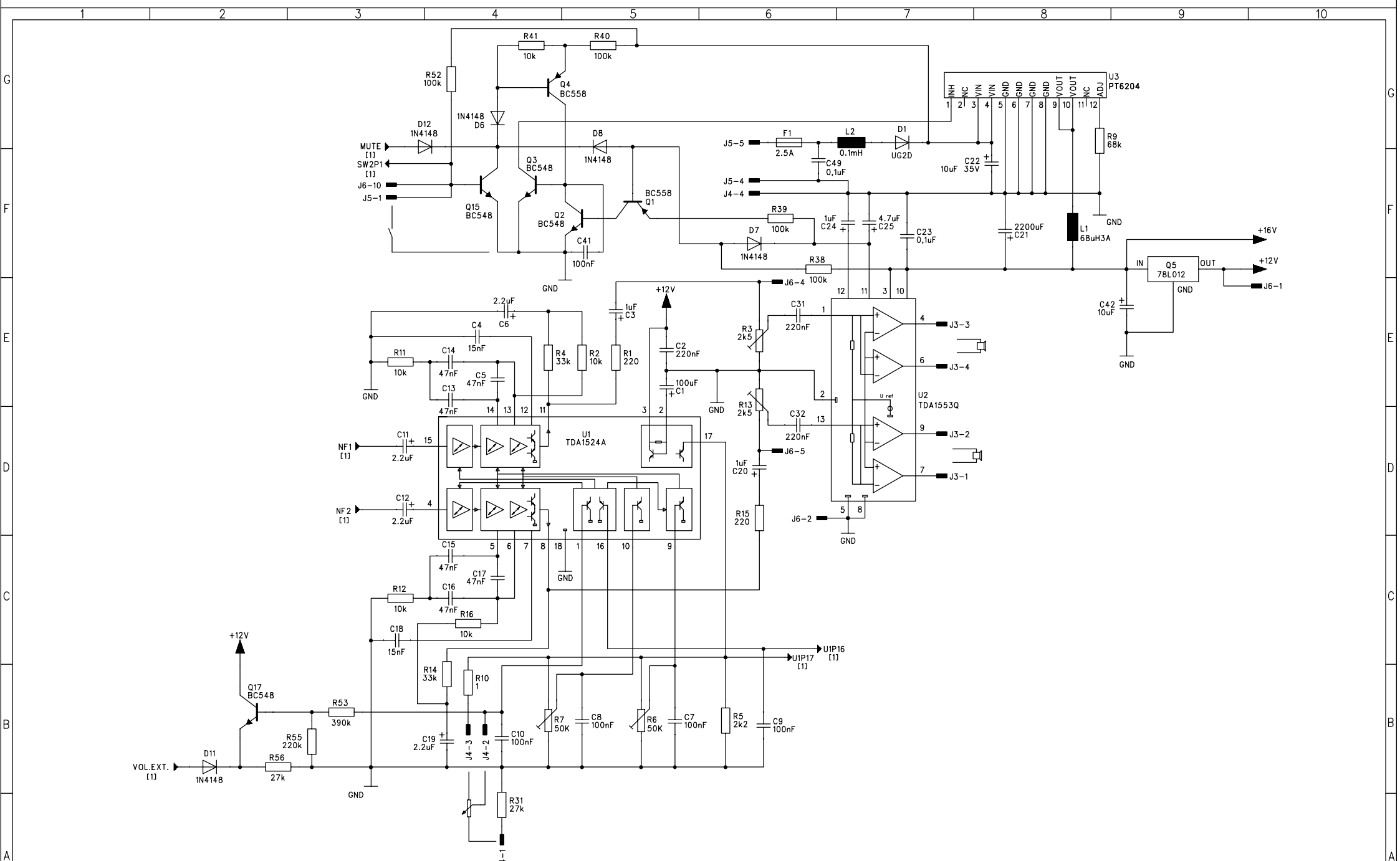
Zechn.-Nr.: WD080021
Bereich:

Bearbeitet
GT

Datum
29.01.03

Geprüft
Blatt: 1 von 2

Alle Rechte dieser Schaltung vorbehalten



Benennung
CarCom

Zechn.-Nr.: WD080021
Bereich:

Bearbeitet
GT

Datum
29.01.03

Geprüft
Blatt: 2 von 2

Alle Rechte dieser Schaltung vorbehalten