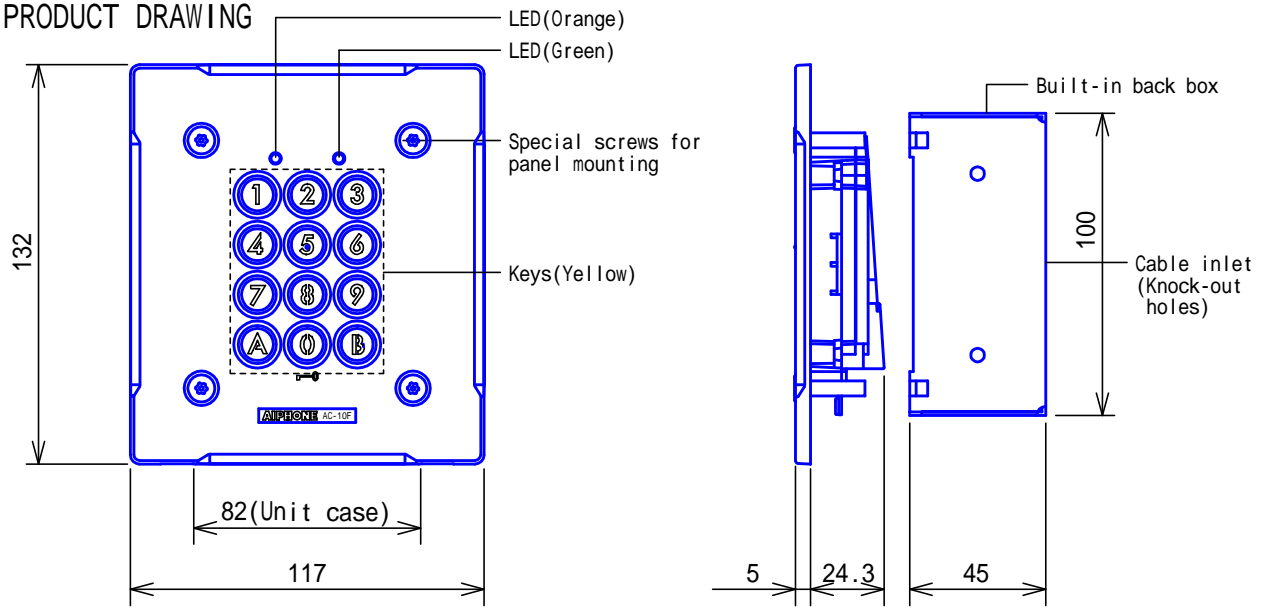
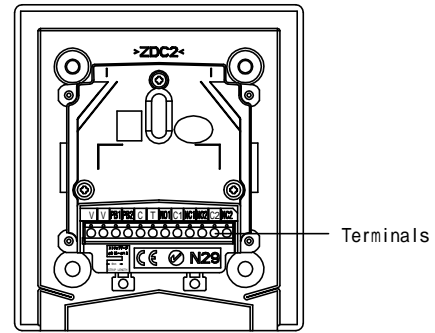
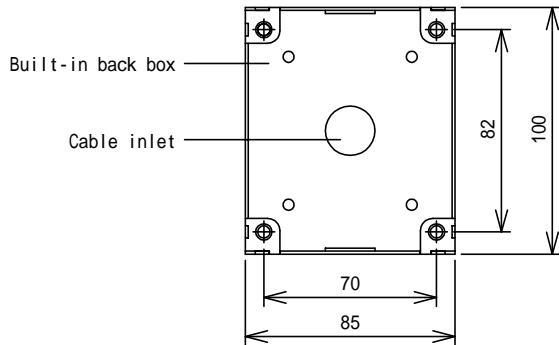


PRODUCT DRAWING



MOUNTING



<BACK VIEW>

SPECIFICATIONS

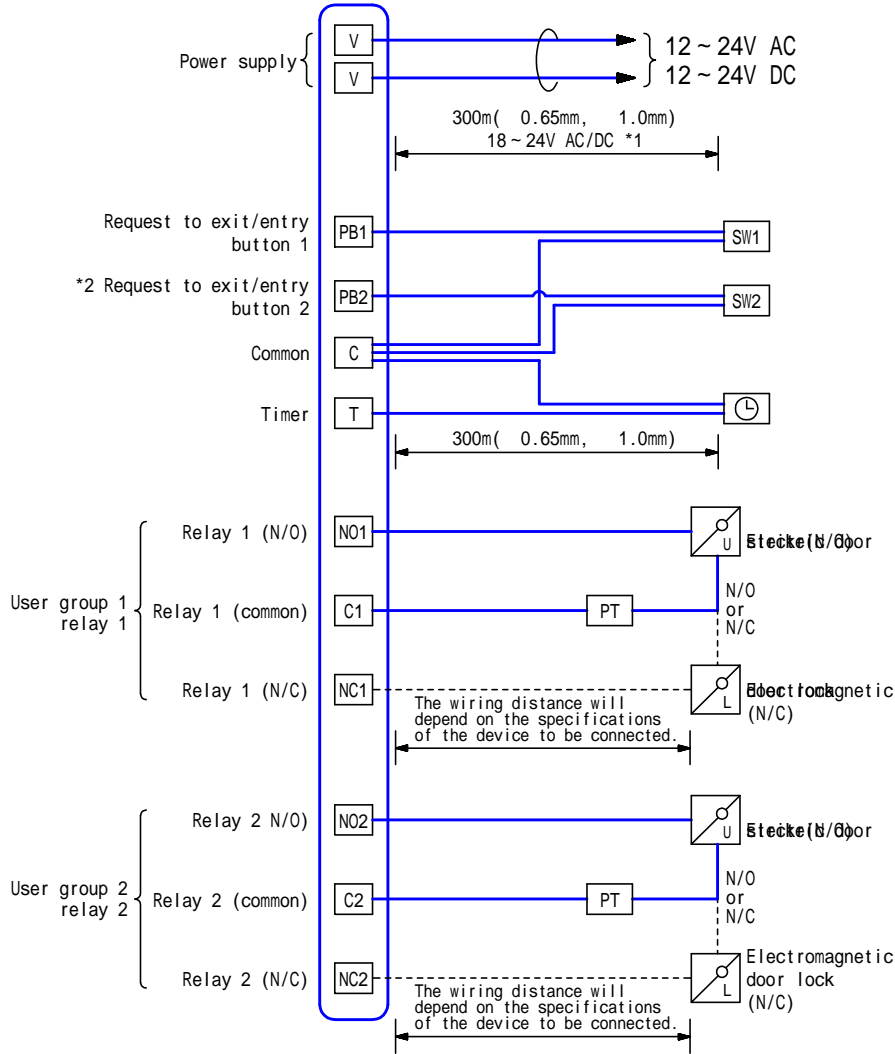
Power source	12 ~ 24V AC or 12 ~ 24V DC
Current consumption	AC: 100mA (max.) DC: 70mA (max.)
Number of relay circuits	2
Relay contact	N/O, N/C
Relay contact capacity	24V DC, 3A (resistive load) 1A (inductive load) 24V AC, 3A (resistive load) 1A (inductive load)
User code	Up to 100 user codes (Relay 1: 60, Relay 2: 40)
Number of request to exit/entry button	2
Request to exit/entry button · Timer	Minimum overload :100mV DC, 0.1mA or above Contact capacity: 3V DC, 0.1A or above
Diameter of cable	0.65 ~ 1.0mm
Ambient temperature	-20 ~ +60 (-4 ° F ~ +140 ° F)
Mounting	Flush wall-mount
Housing	Front panel: Zinc diecasting
IP	IP54
Weight	Approx. 670g (1.48 lbs) Back box included
Unit color	Front panel: Silver

DESCRIPTION	FIG. NAME	UNIT	DATE
ACCESS CONTROL (Flush mount type)	PRODUCT/SPECIFICATIONS	mm	29 November, 2007
MODEL NO.	FIG.NO.	PAGE	REVISION
AC-10F	55301-1-3	1/3	1

AIPHONE

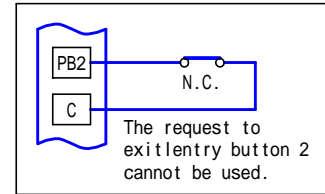
WIRING DIAGRAM

Access Control AC-10F



*1. When 12 ~ less than 18V AC/DC
100m (0.65mm, 1.0mm)

*2. Auto-relock / External output by forced entry (sensor connection)



Request to exit/entry button · Timer

Minimum overload	100mV DC, 0.1mA or above
Contact capacity	3V DC, 0.1A or above

Dry contacts output

Relay contact capacity	24V DC, 3A (resistive load) 1A (inductive load)
	24V AC, 3A (resistive load) 1A (inductive load)

Wiring distance

	Power supply	diameter 0.65 ~ 1.0mm
Unit ~ Power supply	12 ~ 18V (Less than) AC/DC	100m
	18 ~ 24V AC/DC	300m
Unit ~ Request to exit/entry button · Timer	—————	300m
Unit ~ (RY)	The wiring distance will depend on the specifications of the device to be connected.	

RESTRICTIONS

Auto-relock function is available only at the entrance with relay 1.

The door sensor can be connected only to the terminals (**PB2** and **C**) for the request to exit/entry button 2 for relay 2.

When the door sensor is installed in the system, the request to exit/entry button 2 can not be connected to **PB2** and **C** .

When the user code length has been changed, the master code length is the same number of digits with the user code (4-6 digits).

The volume of tone (Operation tone, sounding of buzzer etc.) from the AC-10F unit will be reduced depending on the mounting condition.

DESCRIPTION ACCESS CONTROL (Flush mount type)	FIG. NAME WIRING DIAGRAM/RESTRIC.	UNIT mm	DATE 29 November, 2007
MODEL NO. AC-10F	FIG.NO. 55301-2-3	PAGE 2/3	REVISION 1 AIPHONE

FUNCTIONS

Two independent relay outputs (N/O or N/C) are available.

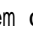
Programmable up to 100 access codes (Relay 1: up to 60, Relay 2: up to 40)

When the registered user code has been input using the keypad (between 4 and 6 digits), the electric door strike is unlocked.

Lock-out: If several incorrect access codes are attempted, the code input function is disabled for a programmed period of time. (Setting required)

External output for alarming or other security devices: When "Lockout" or "Forced entry" occurs, external output is available. (Setting required)

Auto-relock (Anti-tailgate): After the door has been linked to the door open/close sensor (N/C), and unlocked, it will relock itself one second after being closed, thus preventing the entry of an unauthorized third party. (Setting required)

The system can be set to unlock the door by pressing the  key within the set time and linking it to the external timer (N/O). (Setting required)

SETTING

<Required setting item>

Up to 100 user codes

Relay 1: 60, Relay 2: 40

<Optional setting items>

Key illumination time: 10 to 99 seconds, or continually lit (Default: 10 Sec.)

Relay output time: 1 to 99 seconds, or latched (Default: 3 Sec.)

Code (Both user/master codes) length: 4~6 digits (Default: 4 digits)

External output: ON/OFF (Default: OFF)

Lockout: ON/OFF (Default: OFF)

Auto-relock: ON/OFF (Default: OFF)

Invalid number of times: 10 - 99

Invalid time: 10 - 99

Timer-linked unlocking: Relay 1/Relay 2/ Relay 1 & 2 (Default: Relay 1 only)

0 key illumination: ON/OFF (Default: OFF)

Operation tone setting: ON/OFF (Default: ON)

DESCRIPTION	FIG. NAME	UNIT	DATE
ACCESS CONTROL (Flush mount type)	FUNCTIONS/SETTING	mm	29 November, 2007
MODEL NO.	FIG.NO.	PAGE	REVISION
AC-10F	55301-3-3	3/3	1
			AIPHONE