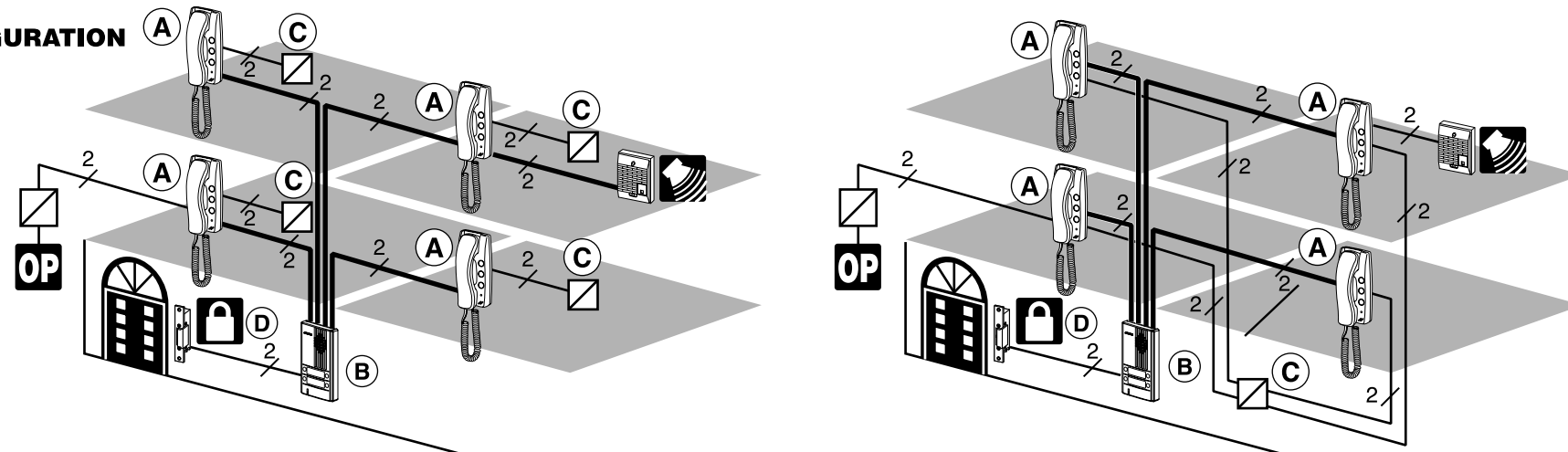


SYSTEM CONFIGURATION



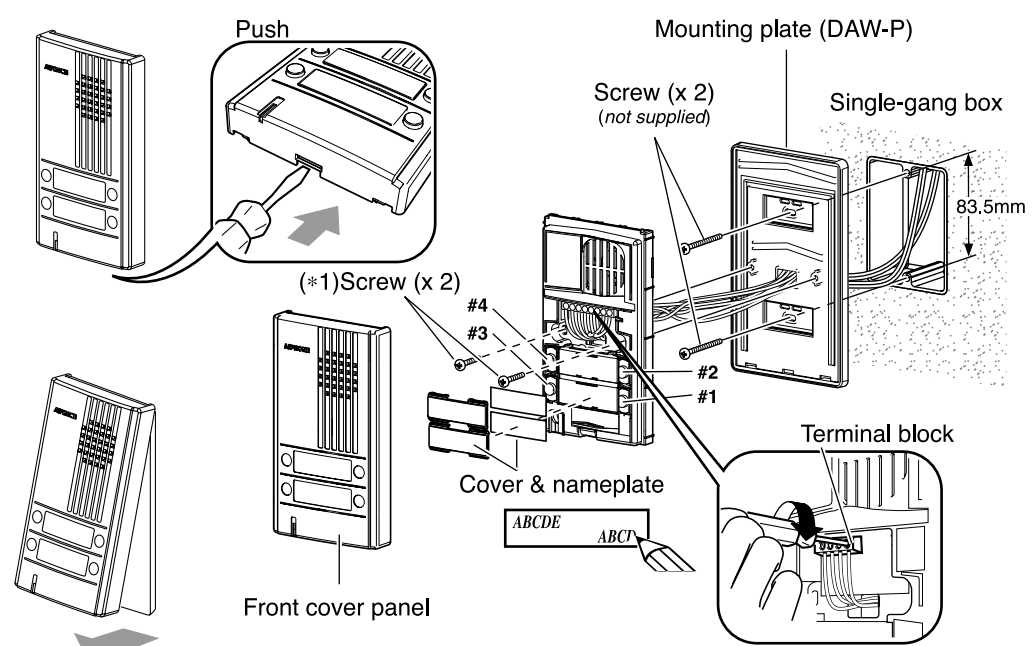
OP **OPTION**

PACKAGE CONTENTS

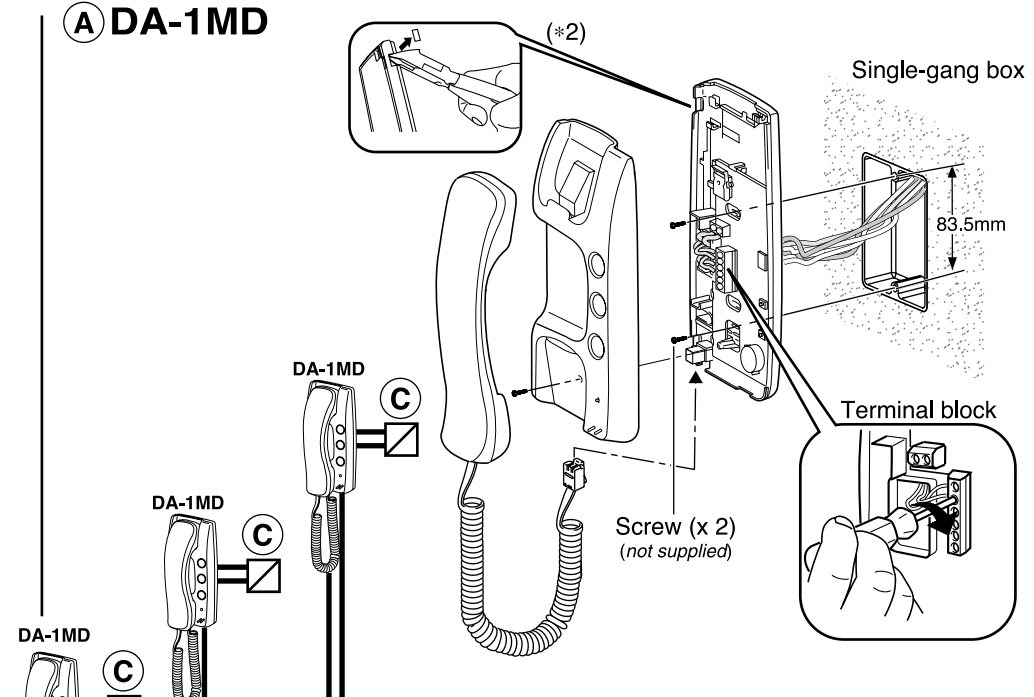
- DA-2DG or DA-2DS.
DA-4DG or DA-4DS.
- Packet of wood screws
(for mounting DA-1MD on wall)
- INSTALLATION & OPERATION MANUAL

	∅0.6mm	∅0.8mm	∅1.0mm
④ ← ② — ① → ③	110m	200m	310m
① ↔ ③	55m	100m	155m

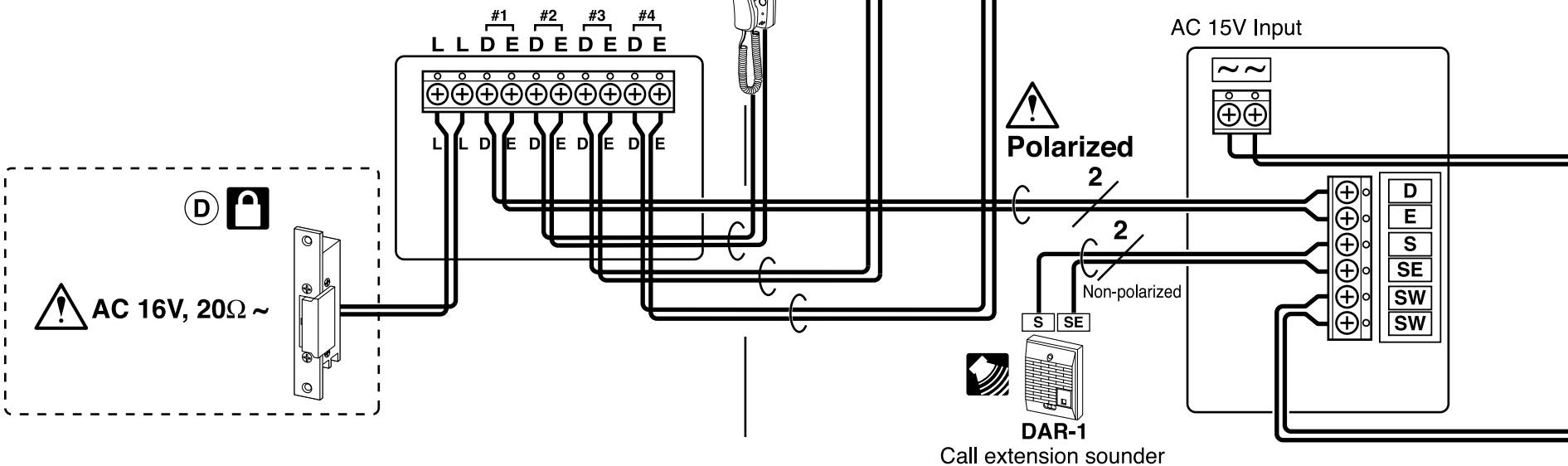
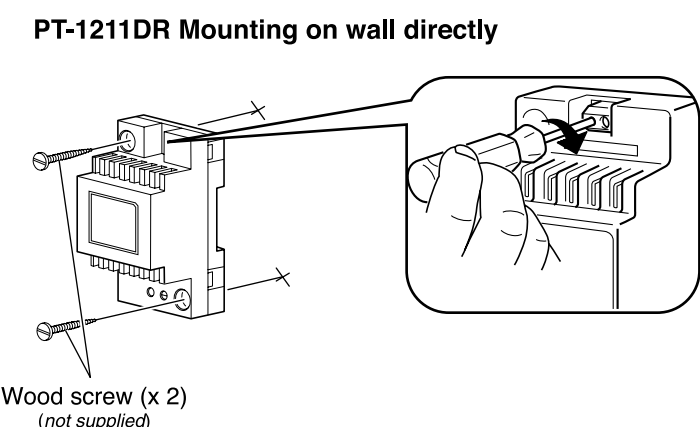
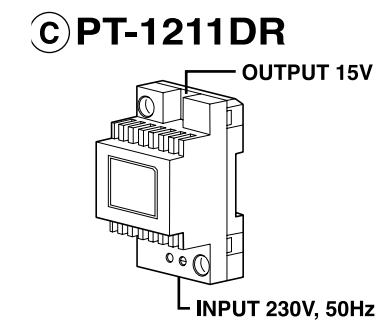
② DA-2DG, DA-2DS, DA-4DG, DA-4DS



① DA-1MD



Power supply



AC 16V, 20Ω ~

Polarized

DAR-1
Call extension sounder

OP Gate, Light, Garage, etc.
Less than AC 18V, 40mA

Door release:
EL-9S or others
(AC 16V, more than 20Ω)

DA-2DG, DA-2DS, DA-4DG, DA-4DS:
L, L: for door release
D, E: for DA-1MD
(*1)Screw (x 2)
supplied with DAW-P

DA-1MD:
D, E: for door station
S, SE: for call extension sounder
SW, SW: Dry-closure contact
(18V, 40mA) for user-optional function
(*2) Cut out a hole for surface cable run.

Power supply:
 • Be sure to locate power supply in an electrical enclosure, and connect to a breaker with a contact separation of at least 3mm in each pole (Less than 16A).
• Do not connect two power supplies to an AC 15V input.

DOOR STATION MOUNTING PLATE

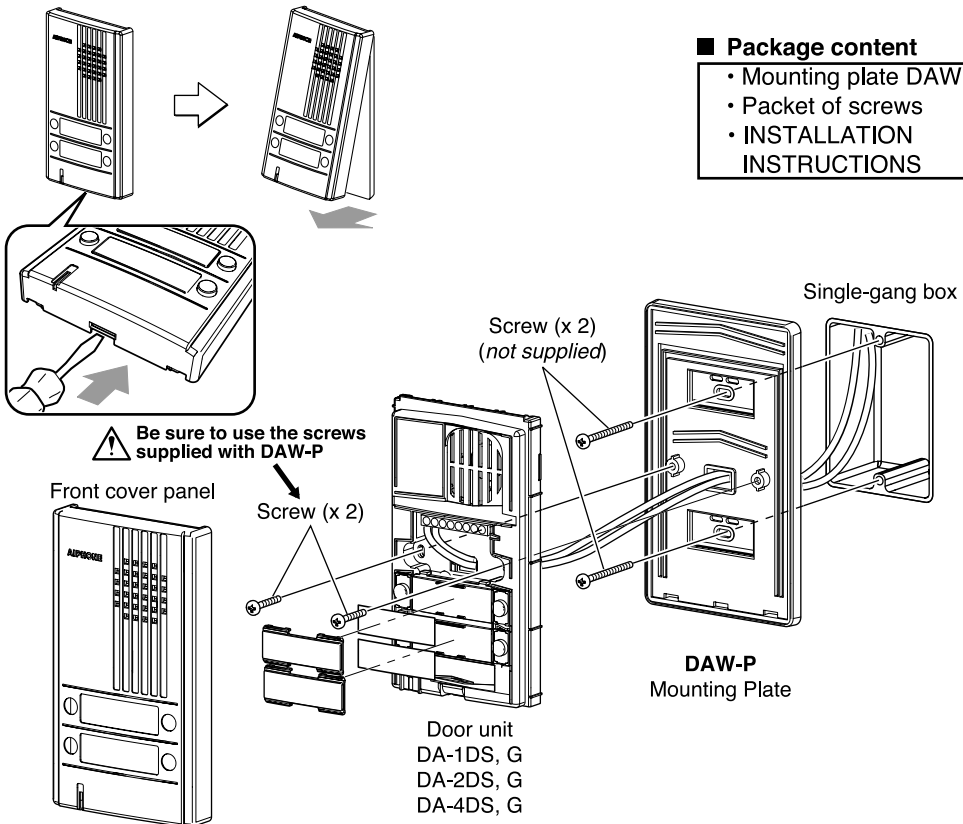
DAW-P

INSTALLATION INSTRUCTIONS

This mounting plate is for mounting the DA-1, 2, and 4DS or DG on to a single-gang box.

■ MOUNTING

To open, push to unlock the Front cover, and remove as shown.



■ Package content

- Mounting plate DAW-P
- Packet of screws
- INSTALLATION INSTRUCTIONS

1. Attach mounting plate (DAW-P) to single-gang box.
2. Mount door unit (DA-1, 2, 4DS or DG) on mounting plate.
3. Re-mount front cover panel on door unit.