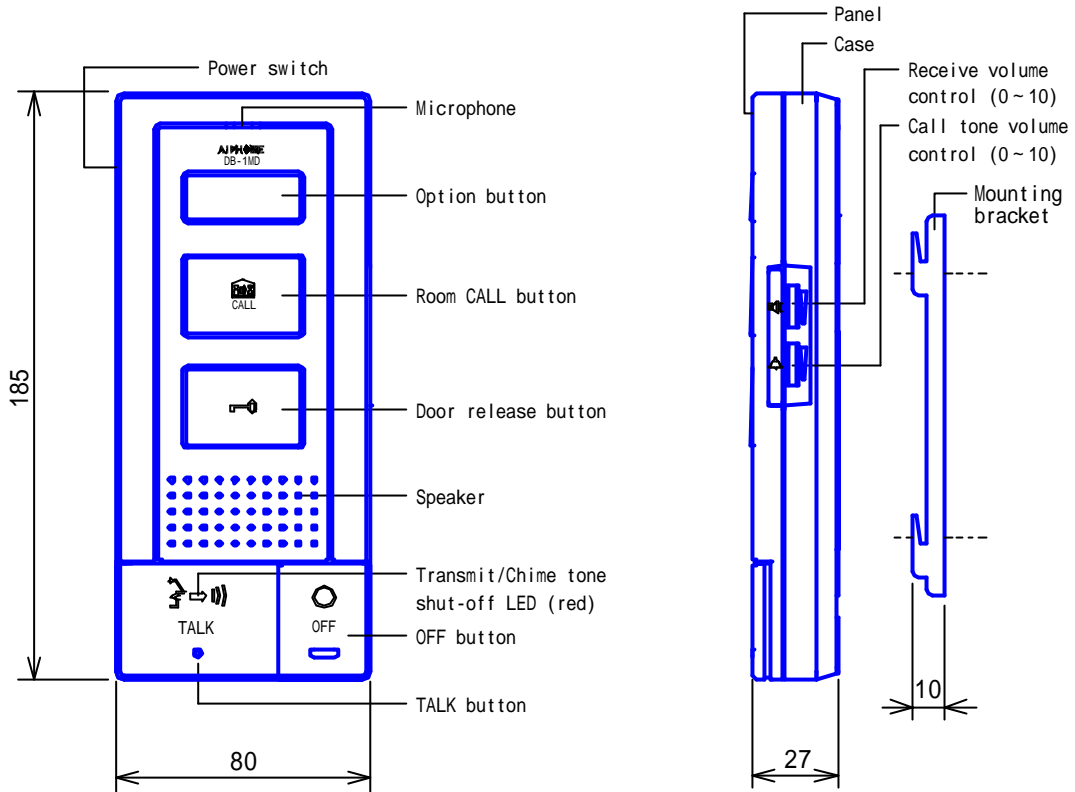
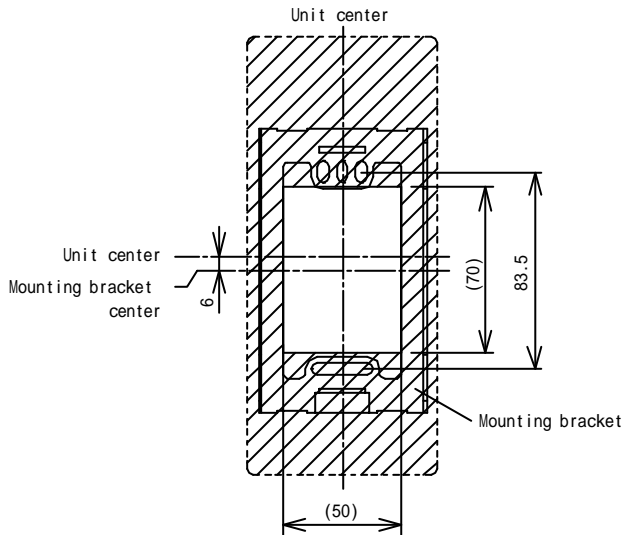


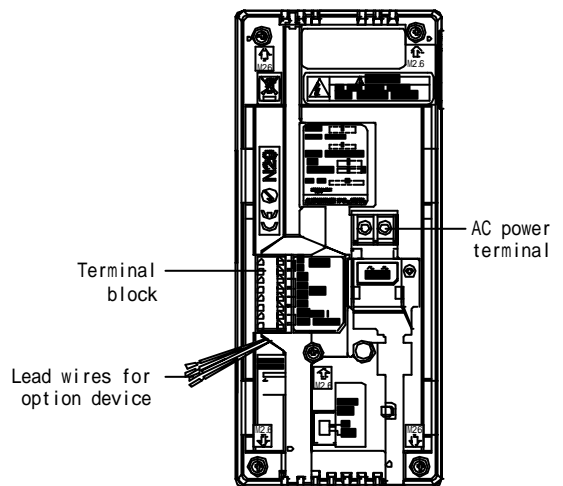
PRODUCT DRAWING



MOUNTING



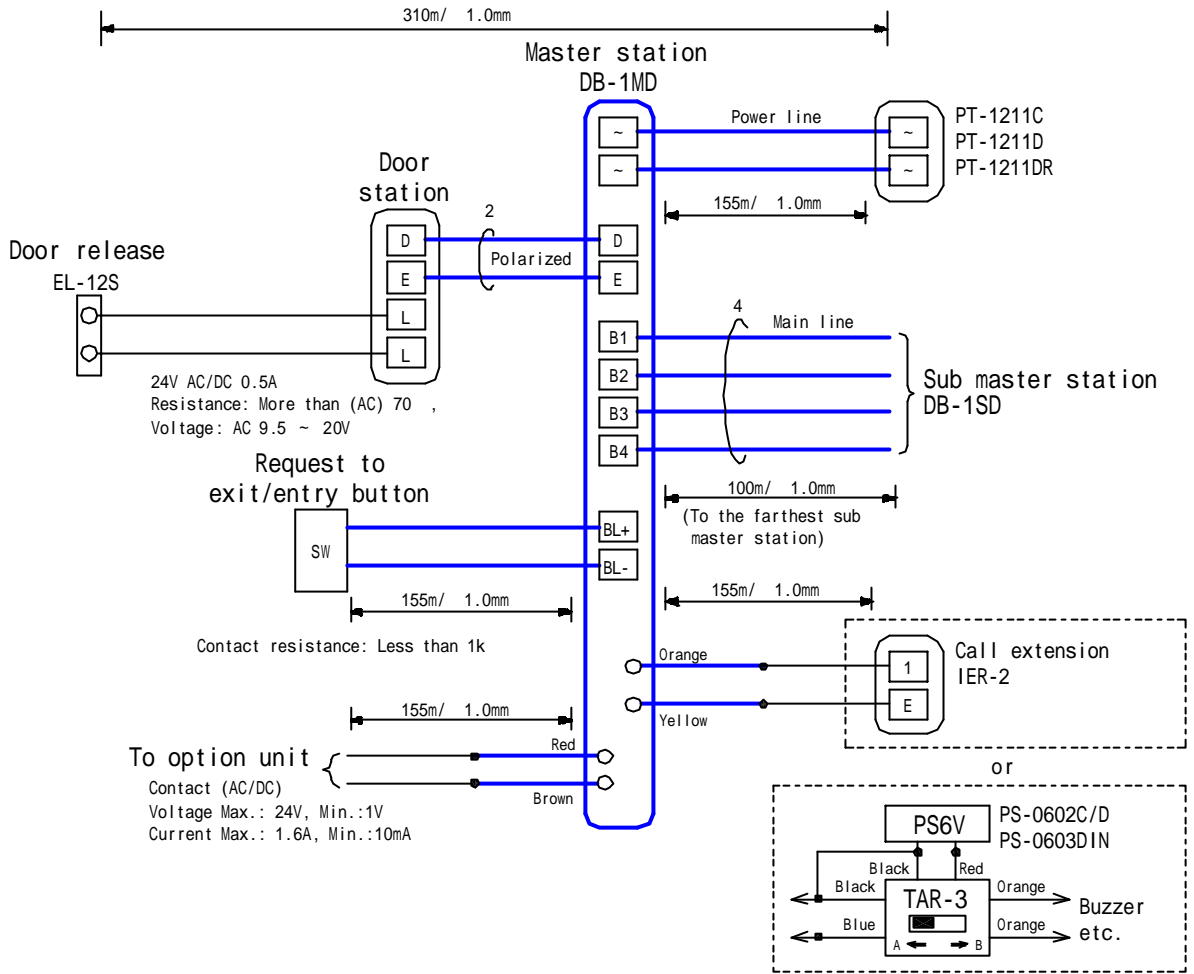
(): Opening cut out on the wall.



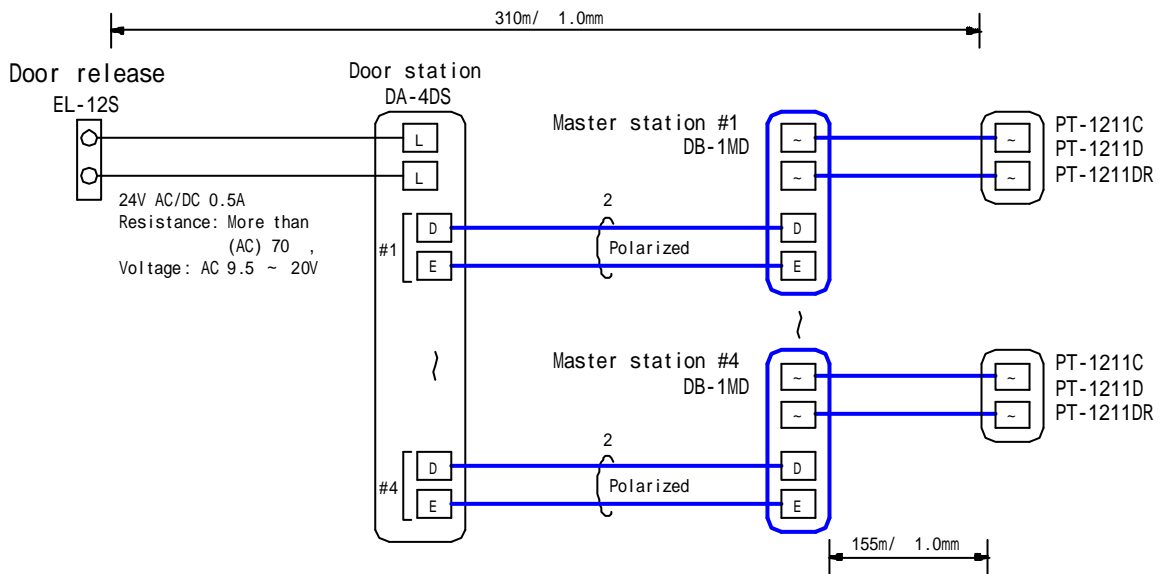
DESCRIPTION MASTER STATION	FIG. NAME PRODUCT DRAWING	UNIT mm	DATE 25 June, 2009
MODEL NO. DB-1MD	FIG.NO. 32537-1-4	PAGE 1/4	REVISION 1
			AIPHONE

WIRING DIAGRAM

With 1-call door station



With 2 or 4-call door station



DESCRIPTION MASTER STATION	FIG. NAME WIRING DIAGRAM	UNIT mm	DATE 25 June, 2009
MODEL NO. DB-1MD	FIG.NO. 32537-2-4	PAGE 2/4	REVISION 1
AIPHONE			

RESTRICTIONS

During communication with the entrance, talking and listening are not possible while DOOR RELEASE button is pressed.

Due to hands-free auto-voice actuation system, smooth voice switching may be hindered by voice strength of the opponent or ambient noise, etc.

One Call extension can be connected per residence.

The adjusting with call tone volume on the Master station does not vary the volume from Call extension.

Max. 4 sub master station can be connected per residence.

When connecting DB-1SD(s),

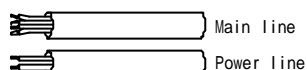
- 1~2 DB-1SD(s): Connect a specified AC Transformer to the 1st DB-1SD
- 3~4 DB-1SDs: Connect a specified AC Transformer to each 1st and 3rd DB-1SDs

ID registration setting is necessary for each sub master station.

Communication ends if DOOR RELEASE button or Call button of door station is pressed during calling or room-to-room communication.

RESTRICTIONS ON WIRING

Power line(2) wired in separate sheath than main line(4).



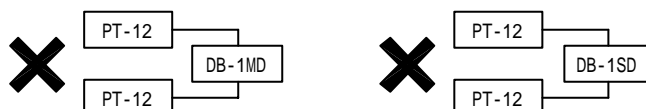
Keep the intercom wires more than 30cm away from AC power lines (It causes noise in communication and malfunction).

When using the existing cable run, the system may not work properly by type.

In that case, it becomes necessary to install a new cable.

For surface wiring, remove the cable jacket.

Absolutely do not set up parallel connections from 1 inside unit to multiple AC transformers.



DESCRIPTION MASTER STATION	FIG. NAME RESTRICTIONS	UNIT mm	DATE 25 June, 2009
MODEL NO. DB-1MD	FIG.NO. 32537-3-4	PAGE 3/4	REVISION 1
			AIPHONE

FUNCTIONS

Calling door station/Communication by pressing TALK button (Max 1 min)/Ending communication by pressing OFF button.

Transmit LED is steadily lit in red while speaking.

Press-to-talk communication, after depressing TALK button approx. 1 sec. or more.

Room-to-room communication by pressing CALL button /communication max. 10 min.

Option button: Controls external device such as entrance light.

Activating door strike.

SETTING

Adjust Receive volume (0 - 10*)..... RCV. (receive) volume control

Adjust Call tone volume (0 -10*) TONE (call tone) volume control

* 0: OFF 10: HIGH

When the chime tone volume is 0, the LED continues to flash every 5 seconds during standby.

SPECIFICATIONS

Power source	AC 15V. Supplied from AC transformer PT-1211C/D/DR.
Type of communication	Open voice hands-free auto-voice actuation or Press-to-talk communication
Ambient temperature	0 ~ 40
Sub master station	4 units
Call extension	1 unit
Number of request to exit/entry button	1 unit
Door release contact	More than (AC) 70 , AC 9.5 ~ 20V
Option unit	Contact (AC/DC) Voltage Max.: 24V, Min.:1V Current Max.: 1.6A, Min.:10mA
Mounting	Surface wall mount
Electrical box	Single-gang box
Housing	Fire-retardant ABS plastic
Weight	Approx.280g (0.62lbs.)
Call tone	Door call: Chime tone Room call: Chime tone
Unit color	Case: Pure white (N9.5 Munsell Approximation) Panel: Light gray (5Y8/1 Munsell Approximation)

DESCRIPTION MASTER STATION	FIG. NAME SPEC./FCN./SETTING	UNIT mm	DATE 25 June, 2009
MODEL NO. DB-1MD	FIG.NO. 32537-4-4	PAGE 4/4	REVISION 1
			AIPHONE