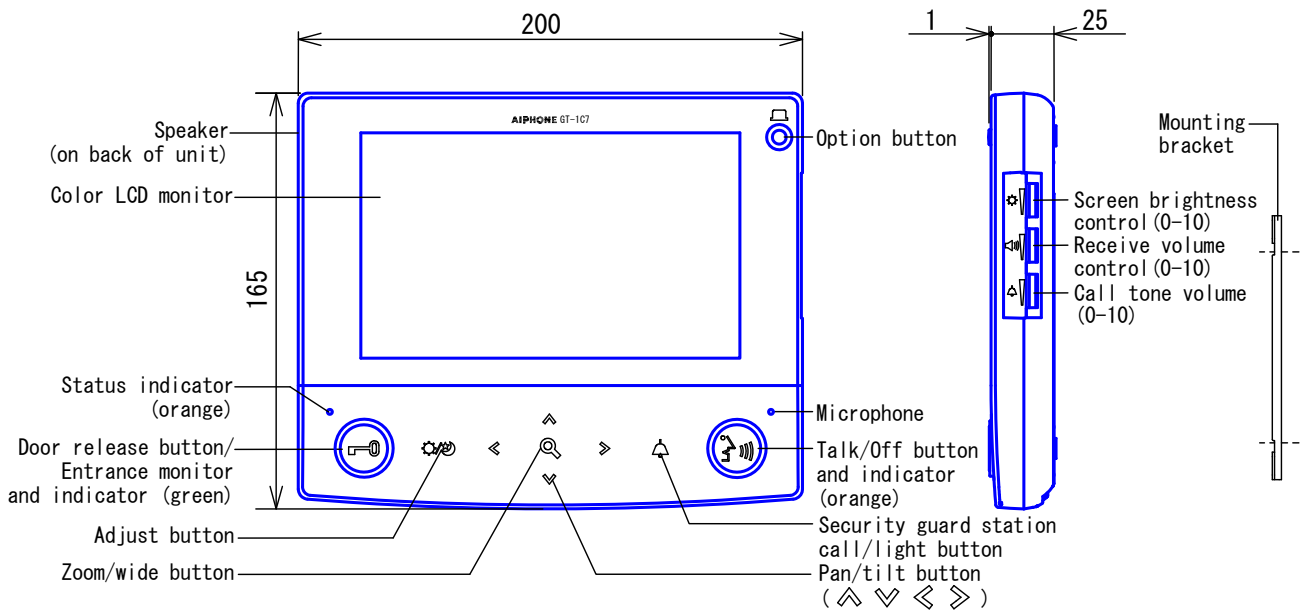
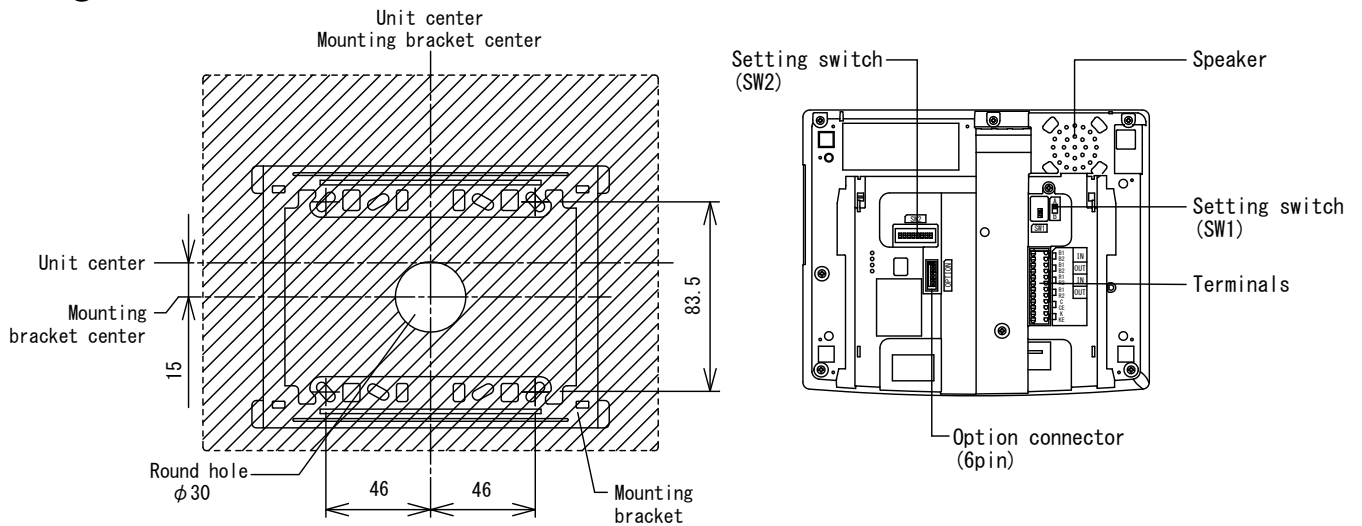


■ PRODUCT DRAWING

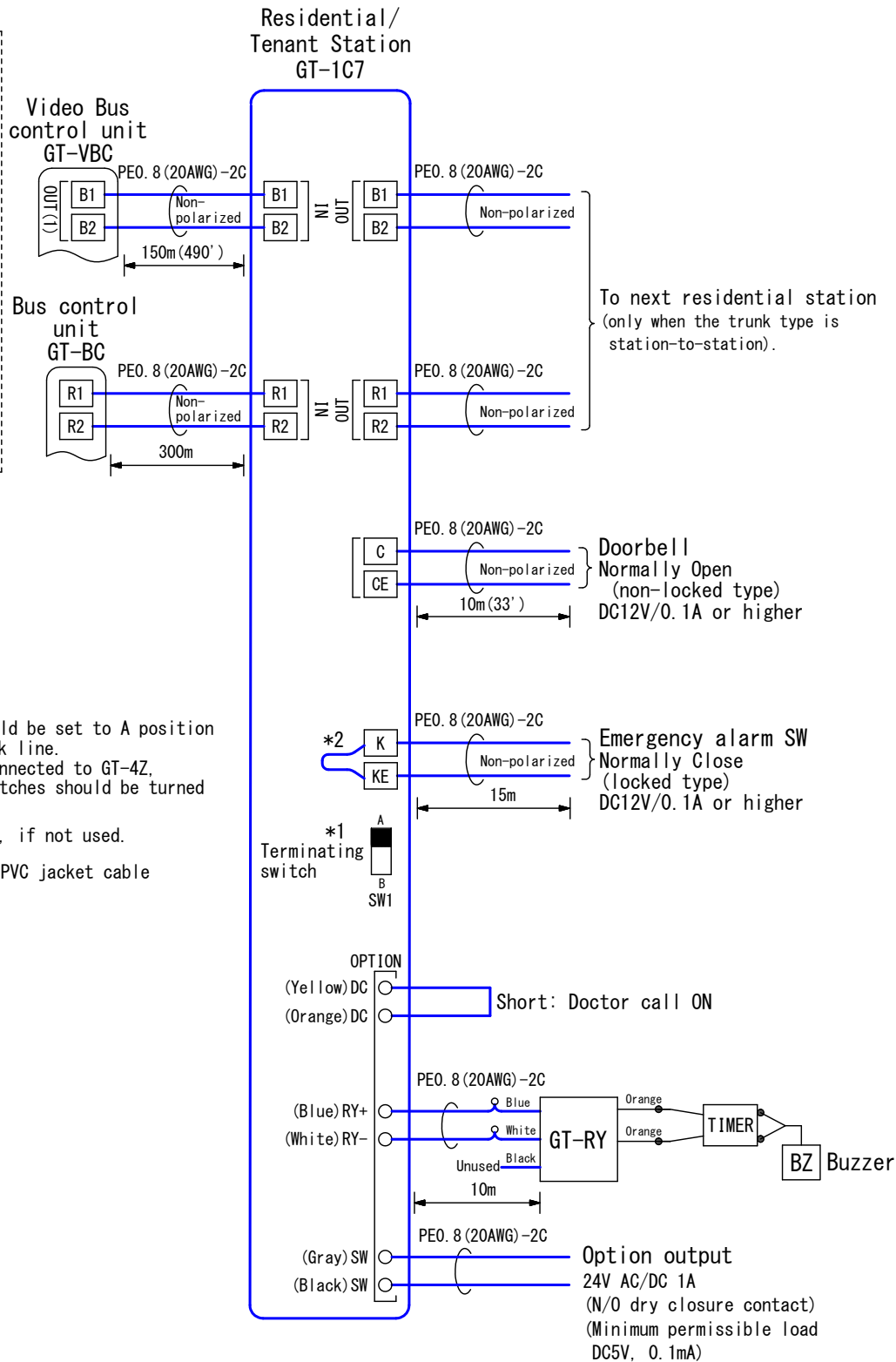
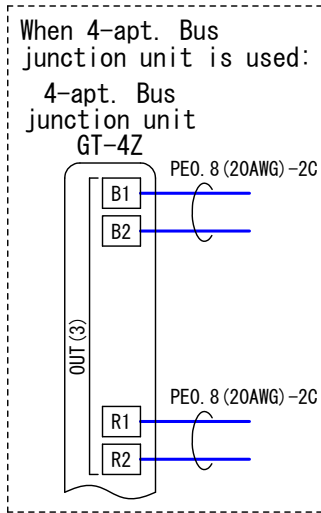


● MOUNTING



DESCRIPTION RESIDENTIAL/TENANT STATION	FIG. NAME PRODUCT DRAWING	UNIT mm	DATE 19 October, 2016
MODEL NO. GT-1C7	FIG. NO. G55554-1-4	PAGE 1/4	REVISION 1
			AIPHONE

■ WIRING DIAGRAM



- *1. Terminating switch should be set to A position on the last of the trunk line. For all the stations connected to GT-4Z, all the terminating switches should be turned to A position.
 - *2. Keep **K** & **KE** shorted, if not used.
- PE: Polyethylene-insulated PVC jacket cable

DESCRIPTION RESIDENTIAL/TENANT STATION	FIG. NAME WIRING DIAGRAM	UNIT mm	DATE 19 October, 2016
MODEL NO. GT-1C7	FIG. NO. G55554-2-4	PAGE 2/4	REVISION 1
			AIPHONE

■RESTRICTIONS

- Use only with GT-DMA or GT-DMVA entrance stations, or with GT-VAA camera module.
- Smooth voice switching for auto voice actuation system may be hindered by talking voice strength or ambient noise, etc.
- Up to 4 Residential/tenant stations can be registered per one room number.
Only the following combinations of master stations are possible:
 - GT-1C7 × 1 + GT-1A or GT-1D × Max.3.
- The mounting location should be more than 20cm away from other electronic equipment, for example AC units, floor heating controller, wireless router or cordless telephone, etc.
- The mounting location should be more than 1m away from radio or TV sets.

■RESTRICTIONS ON WIRING

- For wiring, it is recommended to use a single PVC jacketed cable with PE (polyethylene) insulation.
The following cables cannot be used:

- Individual conductors
- Coaxial cable
- Twisted pair cable
- Cable with conductors in odd number

PARALLEL CABLE



COAXIAL CABLE



ODD NO. OF CONDUCTORS



- Keep the intercom wires more than 30cm away from AC power lines, as they may cause noise or other malfunctions. When using an existing cable run, the system may not work properly due to the type of the existing cables. In that case, it will be necessary to install new cables.
- Unused connector lead wire should be cut and insulated.

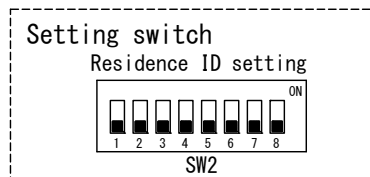
■FUNCTIONS

- Receive calls from entrance stations and security guard stations enable communication by pressing the TALK button.
- Call security guard stations, 2-way communication.
- Activate door release by pressing the Door release button (while receiving a call from or communicating with an Entrance station).
- Light control available when receiving a call from an Entrance station
- Receive calls from an optional doorbell.
- Receiving Emergency alarm from optional external devices. (Emergency call tone sounds and transfer is made to Security guard station.)
- TALK indicator lights up in orange while speaking.
- Backlight compensation by pressing ADJUST button while monitor is on. (Low light compensation at night. Distinguishing between day and night is automatically done by the entrance station.)
- ZOOM & WIDE camera control by pressing ZOOM & WIDE button while monitor is on.
- Pan/Tilt camera control in Zoom mode.
- Monitoring audio/video of entrance station by pressing Door release button at standby, timed out in 30 sec.
- Push-to-talk button for approx. 2 sec. to switch to push-to-talk mode.
- When call tone volume is set 0, status indicator will flash.
- Option button: Controls external device such as entrance light.

DESCRIPTION	FIG. NAME	UNIT	DATE
RESIDENTIAL/TENANT STATION	RESTRICTIONS/FUNCTIONS	mm	19 October, 2016
MODEL NO.	FIG. NO.	PAGE	REVISION
GT-1C7	G55554-3-4	3/4	1
			AIPHONE

■ SETTING

- Terminate switch((A: terminated)/B)..... SW1
- Adjust Call tone volume (0~10)..... Call tone volume control
- Adjust Screen brightness (0~10) Screen brightness control
- Adjust Receive volume (0~10)..... Receive volume control
- Residence ID setting (0000 0000~1111 1111(8bit))..... SW2-1 to 8



■ SPECIFICATIONS

Power source	DC 24V. Supplied from GT-BC, GT-VBC.		
Type of communication	Hands-free auto-voice actuation Push-to-talk communication		
Ambient temperature	0 ~40°C		
Video monitor	7 inch TFT color LCD		
Resolution	800 (H) × 480 (V)		
Station capacity	Door bell: 1		
Mounting	Surface wall-mount		
Materials	Unit case: Self-extinguishing PC+ABS resin Panel: PMMA		
Color	Snow white(5Y9.3/0.1 Munsell Approximation)		
Weight	Approx. 610g		
DESCRIPTION	FIG. NAME	UNIT	DATE
RESIDENTIAL/TENANT STATION	SETTING/SPECIFICATIONS	mm	19 October, 2016
MODEL NO.	FIG. NO.	PAGE	REVISION
GT-1C7	G55554-4-4	4/4	1
			AIPHONE