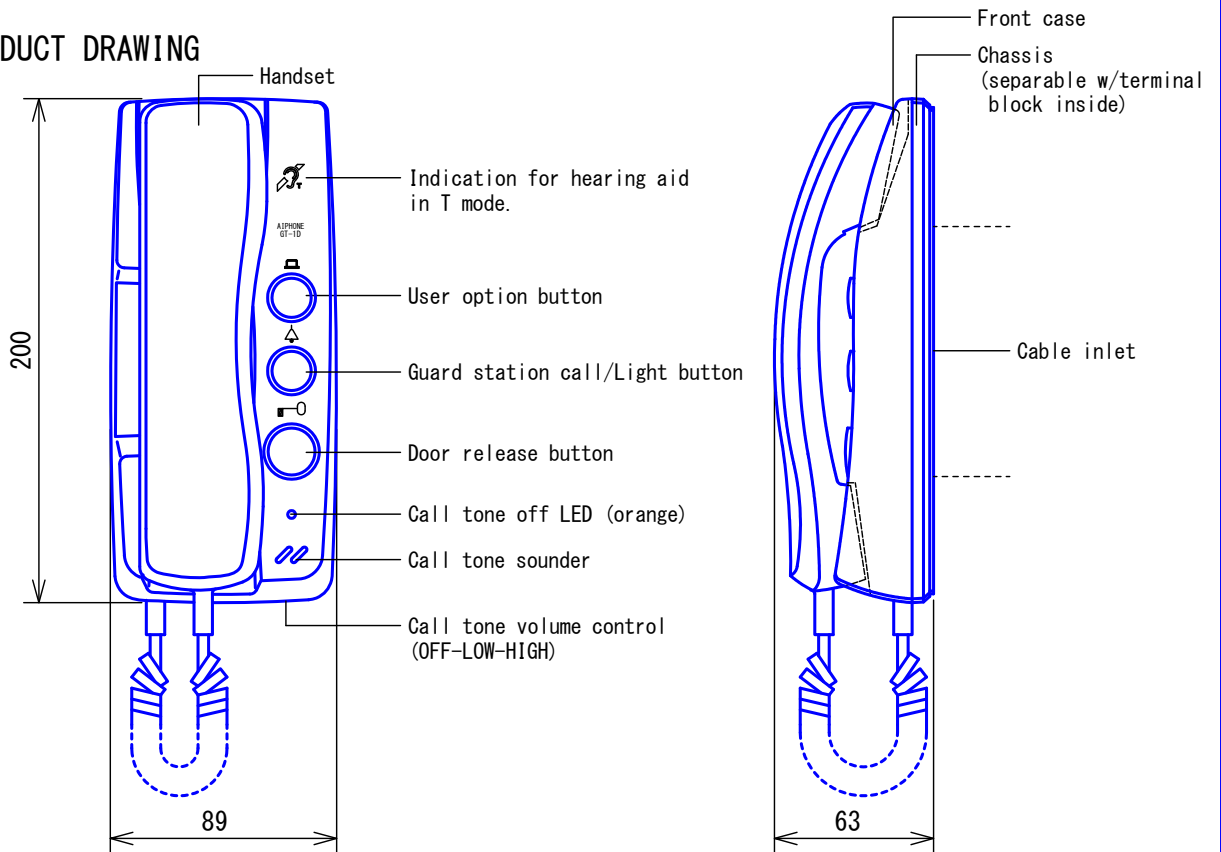
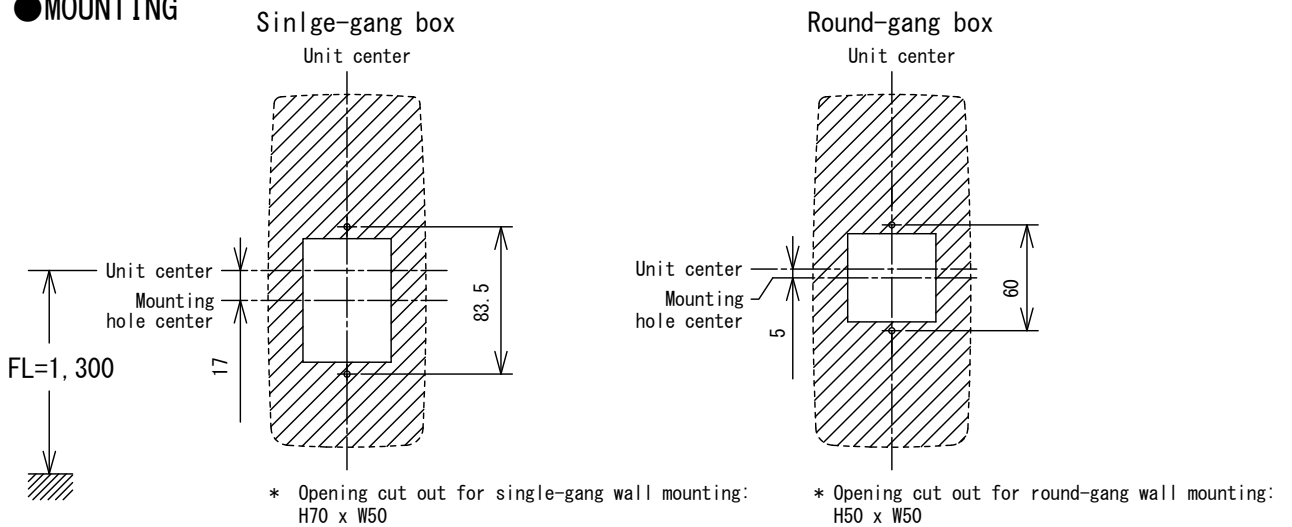


## PRODUCT DRAWING



## MOUNTING

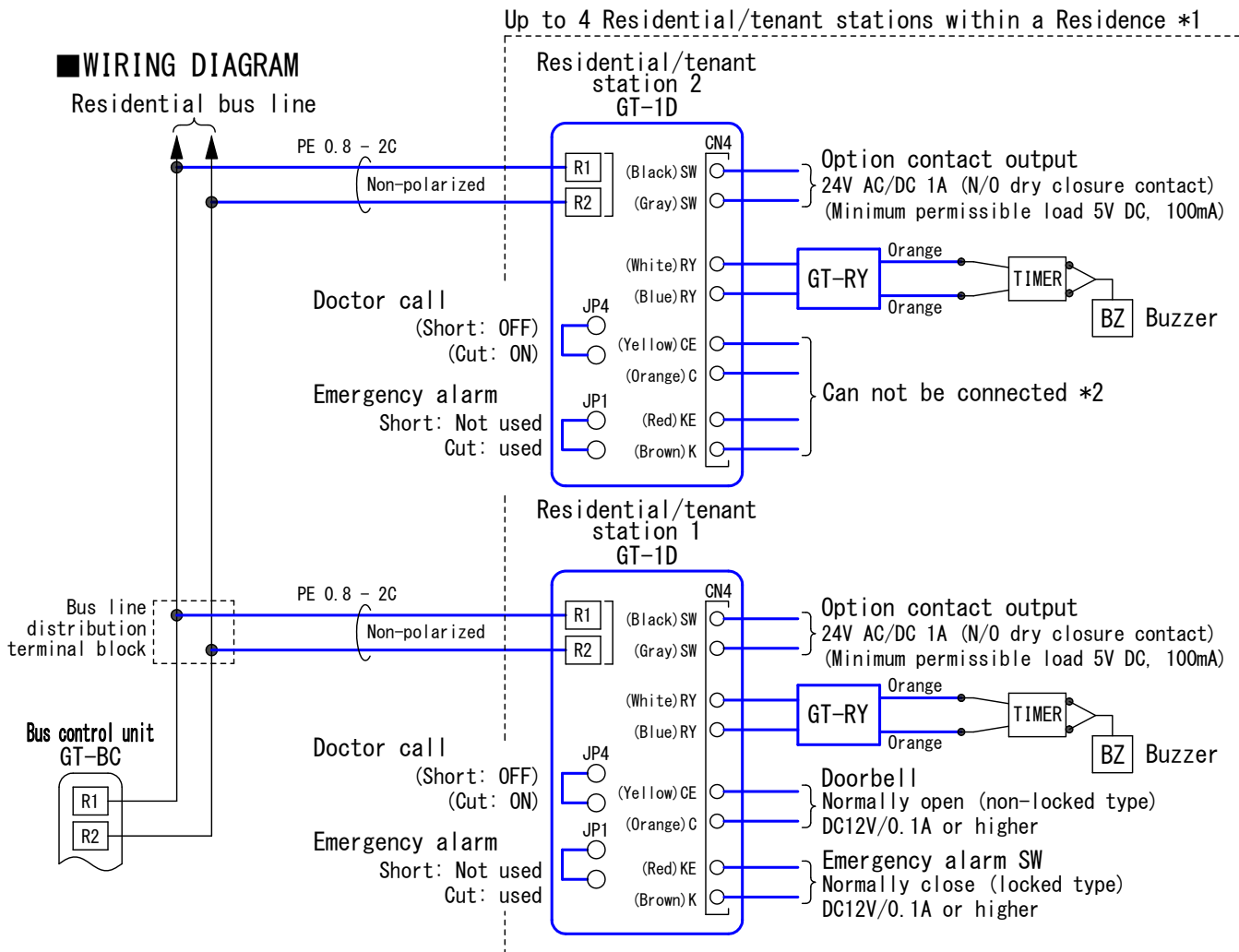


## SPECIFICATIONS

Power source	Supplied from GT-BC		
Type of communication	Simultaneous with handset		
Ambient temperature	0~40°C		
Mounting	Surface wall-mount		
Electrical box	Single-gang box		
Material	Self-extinguishing ABS plastic		
Weight	330g (approx.)		
Unit color	Egg white (5Y9/0.2 Munsell Approximation)		
Capacity	Doorbell: 1		
DESCRIPTION (Handset)	FIG. NAME	UNIT	DATE
RESIDENTIAL/TENANT STATION	PRODUCT/SPECIFICATIONS	mm	11 July, 2017
MODEL NO.	FIG. NO.	PAGE	REVISION
GT-1D	G57653-1-2	1/2	2

**AIPHONE**

## WIRING DIAGRAM



- \*1: When installing two Residential/tenant stations within a Residence, extend 2 wires from the Bus trunk line. And have the same number programmed at each Entrance station and Guard station. (No communication between the Residential/tenant stations)
  - \*2: One Doorbell only allowed for either Residential/tenant station (not both).
- PE: Polyethylene-insulated PVC jacket cable

## RESTRICTIONS

- Max. distance of 300m from the Bus control unit (GT-BC) to the farthest Residential/tenant station.

## FUNCTIONS

- Receiving a call and communication with Entrance station.
  - Activating door release with Door release button.
- Light control available when receiving a call from Entrance station.
- Calling and communication with Guard station, both ways.
- Receiving Emergency alarm. (Emergency call tone sounds and transfer is made to Guard station.)
- Alarm sound and transfer to Guard station triggered by broken wire.
- Receiving a tone call from Doorbell at the door.
- Setting for a doctor call; Cut off a jumper (JP4) on the PC card inside of GT-1D. Press Security guard CALL/Light button on GT-1D to be set. Call tone off indicator blinks for 0.5 sec. every 2.5 sec. User-optional feature using SERVICE button, such as turning on/off light, elevator control, etc.

## SETTING

- Adjusting call tone volume (OFF - LOW - HIGH) with Call tone volume control (When the switch is put to OFF position, the tone-off blinker notifies.)

DESCRIPTION (Handset)	FIG. NAME	UNIT	DATE
RESIDENTIAL/TENANT STATION	WIRING/RESTRIC./FUNC./SETTING	mm	11 July, 2017
MODEL NO. GT-1D	FIG. NO. G57653-2-2	PAGE 2/2	REVISION 2
			<b>AIPHONE</b>