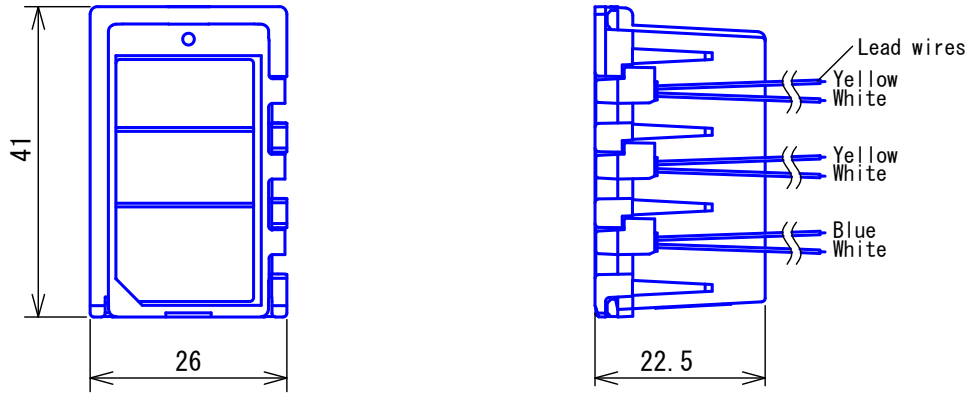


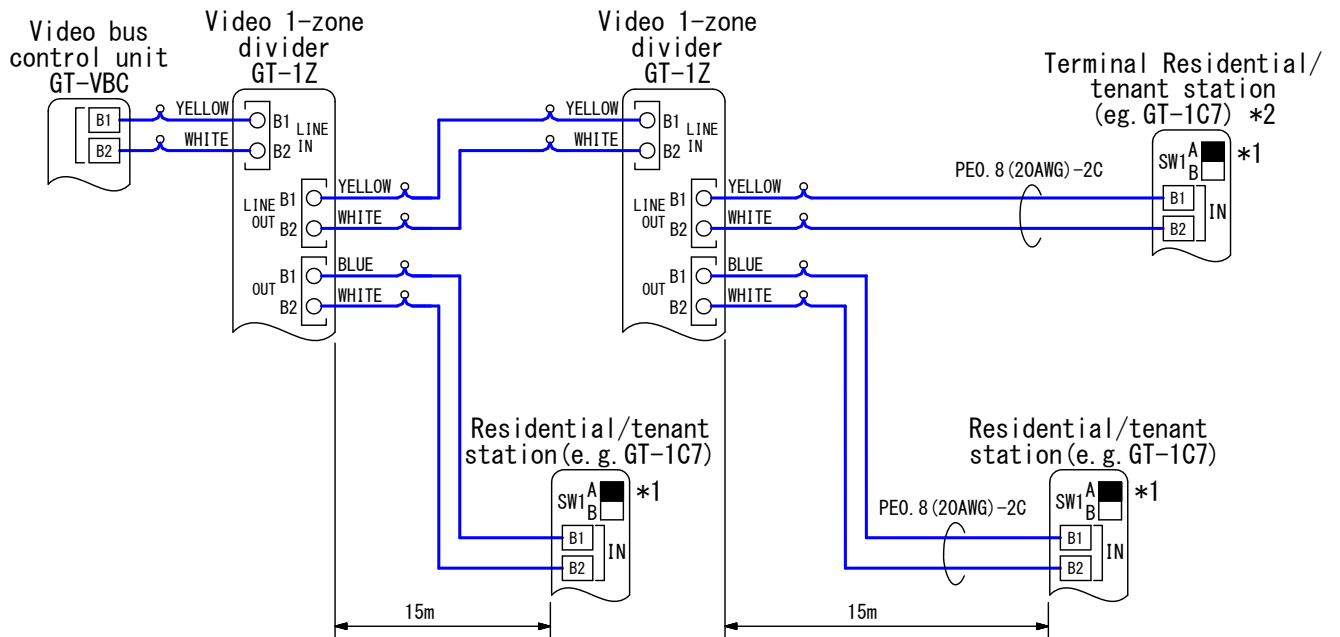
■ PRODUCT DRAWING



■ SPECIFICATIONS

Power source	DC 24V Supplied from GT-VBC.		
Ambient temperature	0~40°C (32~104° F)		
Material	Self-extinguishing ABS resin		
Unit color	Black		
Weight	15g (approx.) (0.034 lbs)		
DESCRIPTION VIDEO 1-ZONE DIVIDER	FIG. NAME PRODUCT/SPECIFICATIONS	UNIT mm	DATE 31 May, 2017
MODEL NO. GT-1Z	FIG. NO. G55629-1-2	PAGE 1/2	REVISION 1
			AIPHONE

■ WIRING DIAGRAM



PE: Polyethylene-insulated PVC jacket cable

- *1. For terminating a Residential/tenant station set SW1 to "A".
- *2. No need GT-1Z for the terminal Residential/tenant station.

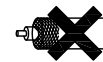
■ RESTRICTIONS ON WIRING

- For wiring, it is recommended to use a single PVC jacketed cable with PE (polyethylene) insulation.
The following cables cannot be used:
 - Individual conductors
 - Coaxial cable
 - Twisted pair cable
 - Cable with conductors in odd number
- Keep the intercom wires more than 30cm away from AC power lines, as they may cause noise or other malfunctions. When using an existing cable run, the system may not work properly due to the type of the existing cables. In that case, it will be necessary to install new cables.

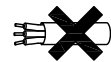
PARALLEL CABLE



COAXIAL CABLE



ODD NO. OF CONDUCTORS



DESCRIPTION VIDEO 1-ZONE DIVIDER	FIG. NAME WIRING/RESTRICTIONS	UNIT mm	DATE 31 May, 2017
MODEL NO. GT-1Z	FIG. NO. G55629-2-2	PAGE 2/2	REVISION 1
			AIPHONE