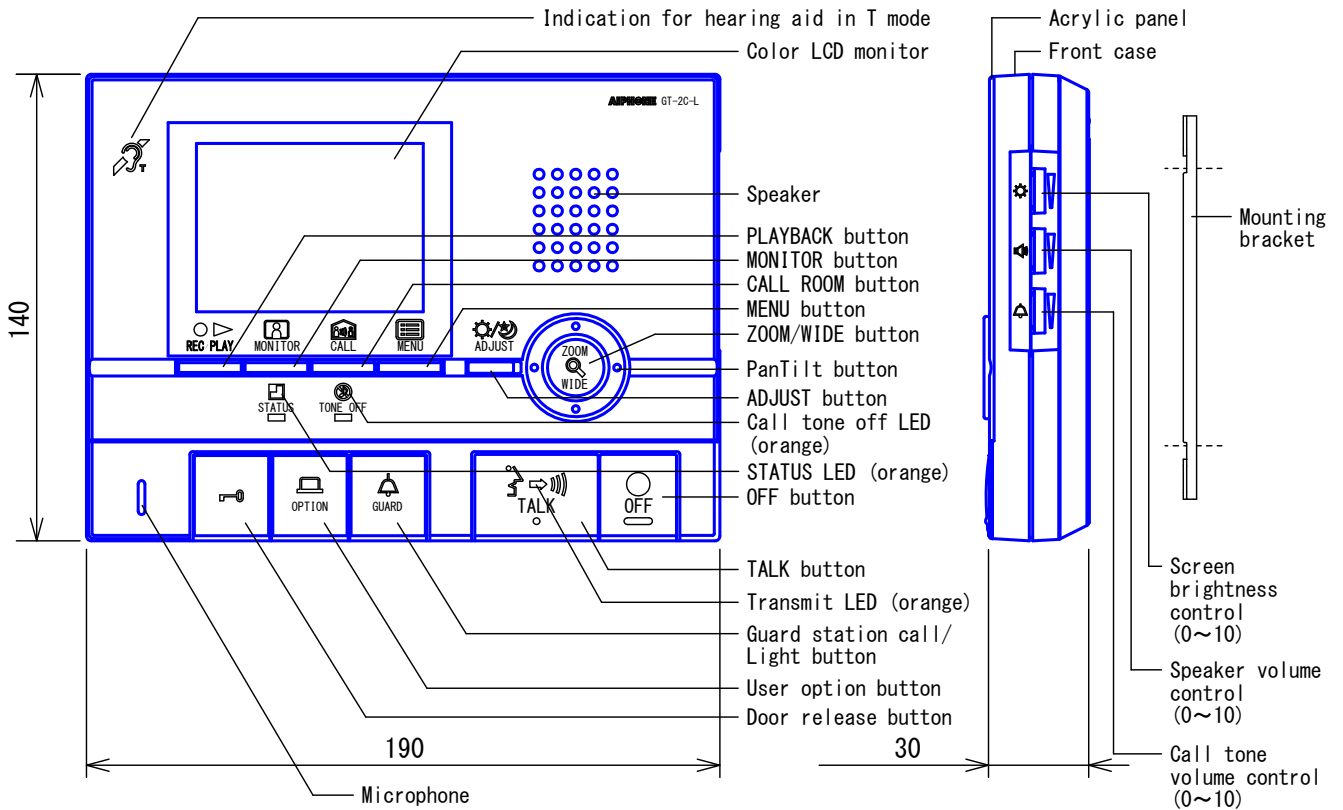
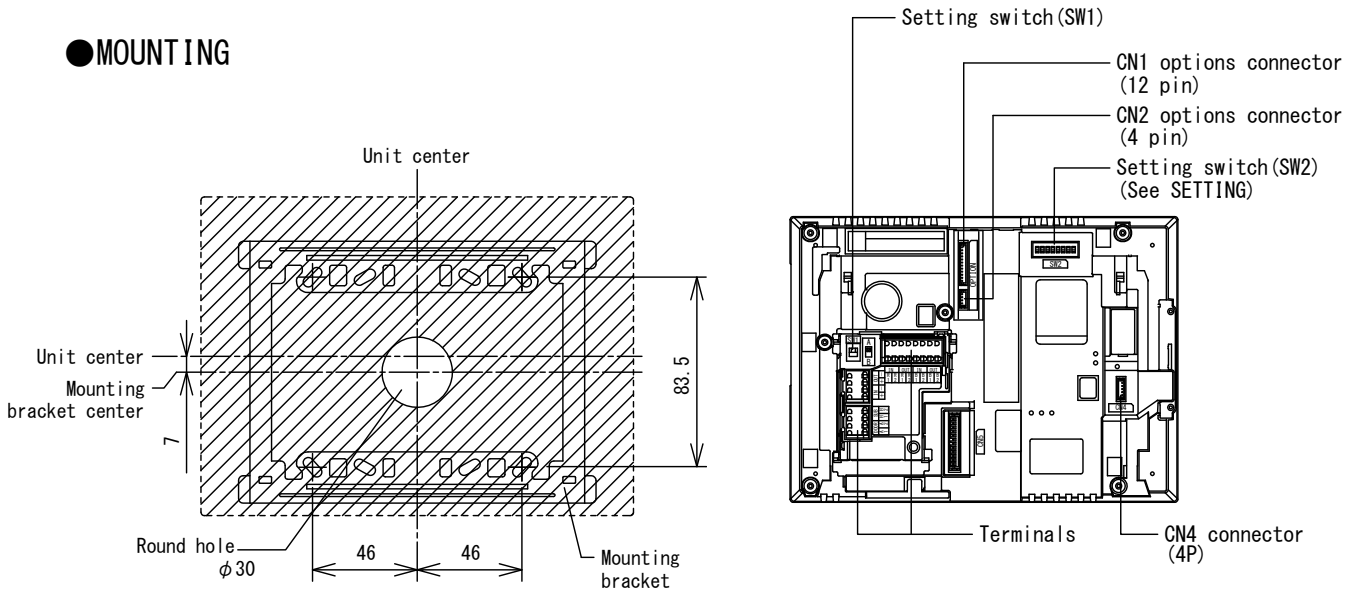


# PRODUCT DRAWING



# MOUNTING

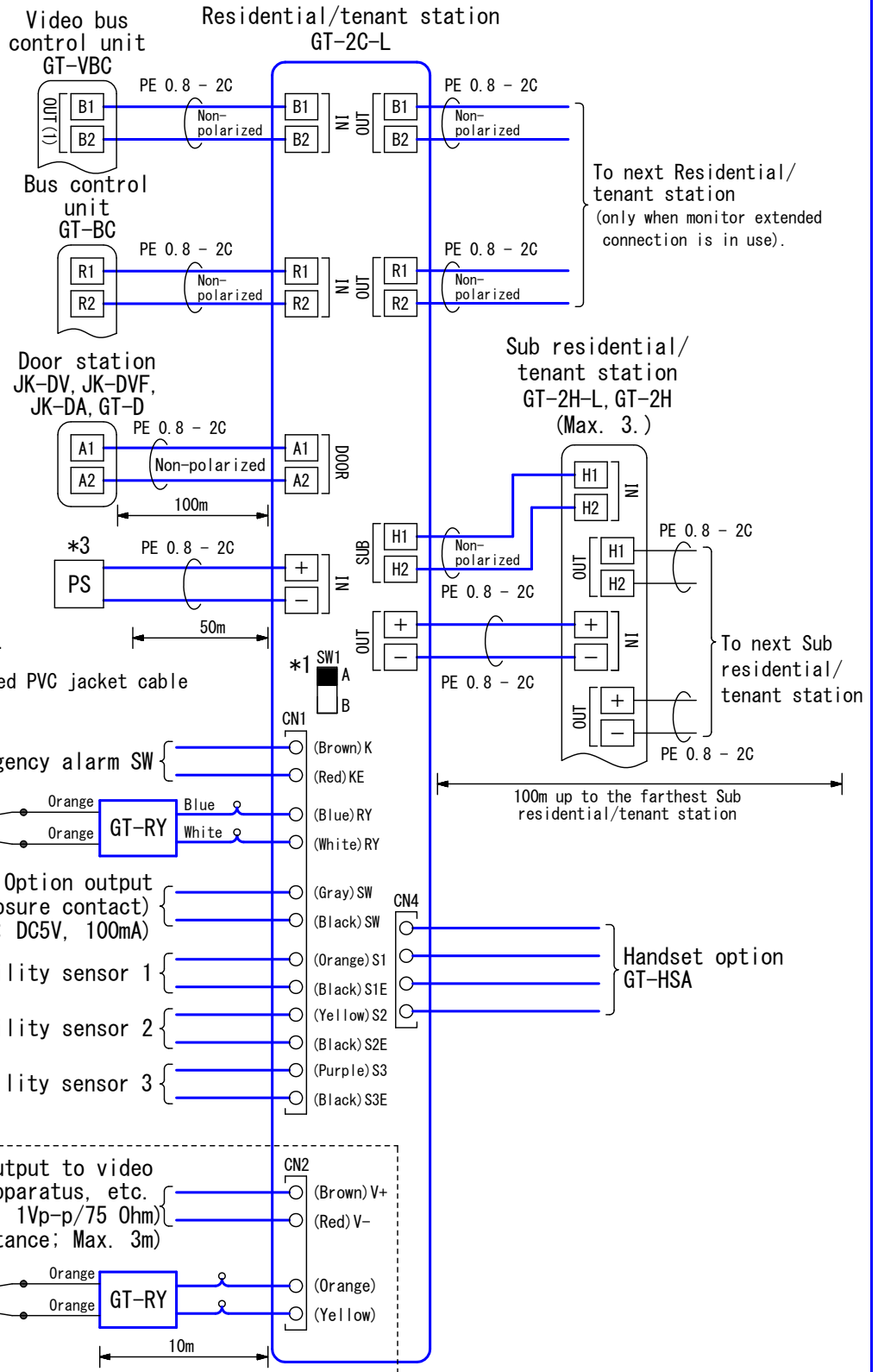
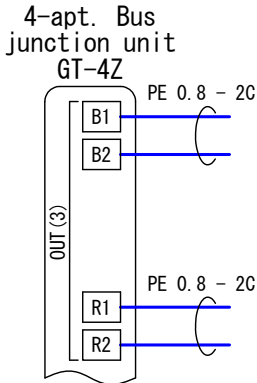


DESCRIPTION <b>RESIDENTIAL/TENANT STATION</b>	FIG. NAME <b>PRODUCT DRAWING</b>	UNIT mm	DATE 4 July, 2017
MODEL NO. <b>GT-2C-L</b>	FIG. NO. G57608-1-6	PAGE 1/6	REVISION 2
			<b>AIPHONE</b>

# ■ WIRING DIAGRAM Residential bus line

(1) For monitor bus distribution

When 4-apt. Bus junction unit is used:



DESCRIPTION	FIG. NAME	UNIT	DATE
RESIDENTIAL/TENANT STATION	WIRING DIAGRAM	mm	4 July, 2017
MODEL NO.	FIG. NO.	PAGE	REVISION
GT-2C-L	G57608-2-6	2/6	3

**AIPHONE**

\*1. Terminating switch should be set to A position on the last of the trunk line.  
For all the stations connected to GT-4Z, all the terminating switches should be turned to A position.

\*2. Input specifications

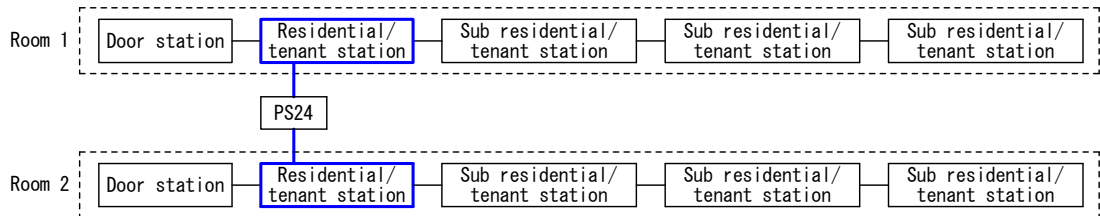
Input method	N/O(Normally Open) or N/C(Normally Closed) dry contact External sensor input (start signal only detection method)
Detection confirmation time	100m Sec or more
Contact resistance	During N/O dry closure: 1kΩ or less During N/C dry closure: 50kΩ or less
Terminal short current	1mA or less
Voltage between terminals	3.3V DC or less (when open between terminals)

If the output for transfer contact is polarized, connect with matching polarity.

\*3. Power

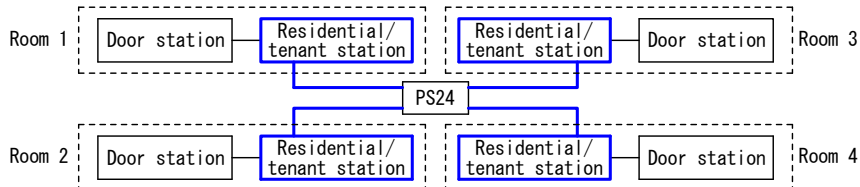
【When Sub residential/tenant station is connected】

Even if only one Sub residential/tenant station is connected, one power adapter [PS24] can supply up to Room 2, provided that, for each room, wiring must be extended from the power adapter base.



【When Sub residential/tenant station is not connected】

One power adapter [PS24] can supply up to Room 4, provided that, for each room, wiring must be extended from the power adapter base.



\*4. As for options, contact a person in charge.

## ■ RESTRICTIONS

- Smooth voice switching for auto voice actuation system may be hindered by talking voice strength or ambient noise, etc.
- Either of the following can be connected as Sub residential/tenant station:  
Sub residential/tenant station GT-2H-L, GT-2H only.
- The mounting location should be more than 20cm away from other electronic equipment, for example AC units, floor heating controller, wireless router or cordless telephone, etc.
- The mounting location should be more than 1m away from radio or TV sets.
- During installation, if a zoom ⇔ wide range is set in the entrance station call picture settings, the number of recorded pictures may not switch between 3 zoom pictures ⇔ 3 wide pictures. The number of recorded entrance station pictures may not switch between 3 zoom pictures ⇔ 3 wide pictures.
- Handsfree communication with T-mode hearing aid is effective 20 to 30cm in front. The farther the distance, the smaller the level.
- Since the magnetic field of the coil of T-mode hearing aid is generated on the walls as well, it may be bugged by using a T-mode hearing aid in a condominium with thin walls.

DESCRIPTION	FIG. NAME	UNIT	DATE
RESIDENTIAL/TENANT STATION	WIRING/RESTRICTIONS	mm	4 July, 2017
MODEL NO.	FIG. NO.	PAGE	REVISION
GT-2C-L	G57608-3-6	3/6	2
			<b>AIPHONE</b>

## ■ RESTRICTIONS ON WIRING

- For wiring, it is recommended to use a single PVC jacketed cable with PE (polyethylene) insulation.
- The following cables cannot be used:
  - Individual conductors
  - Coaxial cable
  - Twisted pair cable
  - Cable with conductors in odd number
- Keep the intercom wires more than 30cm away from AC power lines, as they may cause noise or other malfunctions. When using an existing cable run, the system may not work properly due to the type of the existing cables. In that case, it will be necessary to install new cables.
- Unused connector lead wire should be cut and insulated.



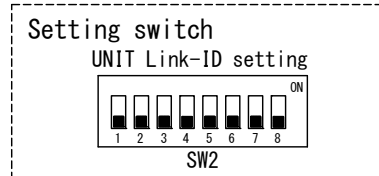
## ■ FUNCTIONS

- Receive calls from Entrance stations and Guard stations enable communication by pressing the TALK button. (1 min. for hands-free, and 3 min. for handset.)  
Communication ends by pressing the OFF button.
  - Calling and communication with Guard station, both ways.
  - Activating door release with Door release button (while receiving a call from or communicating with Entrance station).
  - Light control available when receiving a call from Entrance station.
  - Call transfer (while calling Entrance station, Guard station, Door station, or Doorbell call tone sounds).
  - Calling from Door bell or from Door station (set to 30, 45, 60, 90 or 120 sec).  
Communication by pressing the Talk button. (1 min. for handsfree and 3 min. for handset.)  
Communication ends by pressing the OFF button.
  - Receiving Emergency alarm from optional external devices.  
(Emergency call tone sounds and transfer is made to Guard station.)
  - Communication/monitor with T-mode accommodating hearing aid.
  - Talk transmit LED lights up in orange while speaking.
  - Calling each Guard station (or call all).
  - Backlight compensation by pressing ADJUST button while monitor is on.  
(Low light compensation at night. Distinguishing between day and night is automatically done by the door station or Entrance station)
  - ZOOM & WIDE camera control by pressing ZOOM & WIDE button while monitor is on.
  - Pan/Tilt camera control in Zoom mode.
  - Pre-setting of Pan/Tilt position for zoom mode when Door station is called.
  - Monitoring audio/video of entrance station by pressing Door release button, at standby, timed out in 30 sec.
  - Push-to-talk button for approx. 1 sec. to switch to push-to-talk mode.
  - Calling and communicating with Sub residential/tenant station by pressing Call Room button.  
Communication time: approx. 10 min.
  - Notification sounds when utility sensor is input. (Notification sounds High at Residential/tenant station and Sub residential/tenant station.) (However, no transfer output to the Guard station is called.)
  - Notification is reset by pressing OFF button. Sounds stop automatically after 10 sec. by setting.
  - Security function: PRESENCE SECURITY and ABSENCE SECURITY setting are available with external security detectors.
  - Doctor call function: When setting the Doctor call (automatic entry), the electric lock is automatically released without a door release operation from the Residential/tenant station.
  - Alarm sound and transfer to Guard station triggered by broken wire.
  - Option button: Controls external device such as entrance light.
- <Picture memory>
- Records call from Entrance station or Door station (first shot is recorded after 2 seconds, and total of 6 shots per sec.)
  - Press PLAYBACK button to record manually (total of 6 shots per sec.)
  - A max. of 40 recordings can be saved (combined total of automatic and manual recording), (max. 6 shots per picture)
  - Up to 10 recordings can be protected from being over written.

DESCRIPTION	FIG. NAME	UNIT	DATE
RESIDENTIAL/TENANT STATION	RESTRICTIONS/FUNCTIONS	mm	11 July, 2017
MODEL NO.	FIG. NO.	PAGE	REVISION
GT-2C-L	G57608-4-6	4/6	2
			<b>AIPHONE</b>

## ■ SETTING

- Terminate switch((A: terminated)/B)..... SW1
- ZOOM picture pre-sets..... Press ZOOM/WIDE button more than 2 sec
- Adjust Call tone volume (0~10)..... Call tone volume control
- Adjust Screen brightness (0~10) ..... Screen brightness control
- Adjust Speaker volume (0~10)..... Speaker volume control
- UNIT Link-ID setting (0000 0000~1111 1111(8 bit)) ..... SW2-1 to 8



### <Setting screens and display>

#### ● User Settings

- Date/Time
- Entrance station call tone setting (♪1/♪2/♪3/♪4/♪5)
- Door station call tone setting (♪1/♪2/♪3/♪4/♪5)
- Guard station call tone setting (♪1/♪2/♪3/♪4/♪5)
- Recording method setting.  
(Zoom pictures x3→Wide pictures x3, Wide pictures x3→Zoom pictures x3,  
Zoom pictures x6, Wide pictures x6)
- Language (English/French/German/Italian/Spanish/Dutch)
- Residence door call duration setting (30/45/60/90/120 sec.)
- Night illumination setting (enable/disable)
- Security setting
  - Security PIN SETTING (PIN SETTING/RESET SETTING)
  - Absence security setting
    - Departure timer (0/30/60/120/300/600 sec.)
    - Arrival timer (0/30/60/120/300/600 sec.)
    - Security alarm timer (10 sec./1 min./10 min./1 hour/continuous)
- Utility sensor setting
  - Utility call timer (10 sec./1 min./10 min./1 hour/continuous)

#### ● Initial setting

- Alarm input setting (disable/ N/O / N/C)
- External input setting
  - Sensor 1, 2, 3 (disable/utility/security)
  - Transfer to Guard station (enable/disable) (Indicated when security is selected)
- Guard station setting (Guard station n: guard/concierge/reception/not displayed) (n=1 to 4)
- Press-to talk (Push-to-talk) setting (enable/disable)
- Initialize
- Doctor call setting (enable/disable)

DESCRIPTION <b>RESIDENTIAL/TENANT STATION</b>	FIG. NAME <b>SETTING</b>	UNIT mm	DATE 4 July, 2017
MODEL NO. <b>GT-2C-L</b>	FIG. NO. G57608-5-6	PAGE 5/6	REVISION 2
			<b>AIPHONE</b>

## ■ SPECIFICATIONS

Power source	DC 24V. Supplied from power supply.		
Current consumption	Max. 390mA		
Video-monitor	3, 5" TFT color LCD		
Pixels	230,000 pixels (approx.), QVGA (320 x 240)		
Type of communication	Open voice handsfree communication (auto voice actuation or press-to-talk)		
Ambient temperature	0~40°C		
Video door station	1 unit		
Sub Residential/tenant station	3 units		
Picture memory	Max. 40 (Max. 6 images for 1 event)		
Save picture	Max. 10		
Optional button output	24V AC/DC 1A (N/O dry closure contact)		
Call tone	4 selections		
Mounting	Surface wall-mount		
Electrical box	3-gang box		
Material	Front case: Self-extinguishing ABS plastic Acrylic panel: Fire-retardant resin		
Weight	520g (approx.)		
Unit color	Snow white (5Y9.3/0.1 Munsell Approximation)		
DESCRIPTION	FIG. NAME	UNIT	DATE
RESIDENTIAL/TENANT STATION	SPECIFICATIONS	mm	11 July, 2017
MODEL NO.	FIG. NO.	PAGE	REVISION
GT-2C-L	G57608-6-6	6/6	2
			<b>AIPHONE</b>