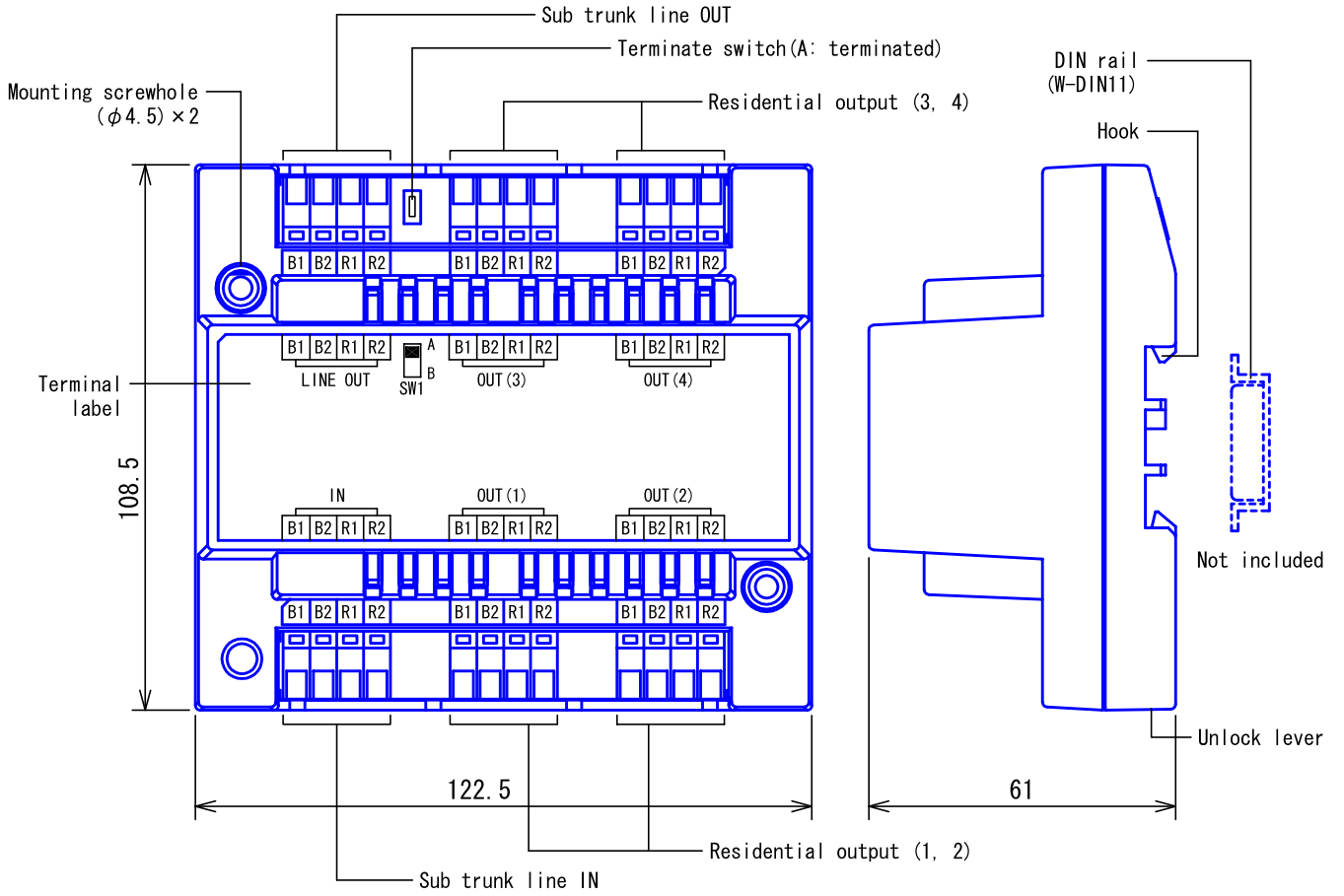


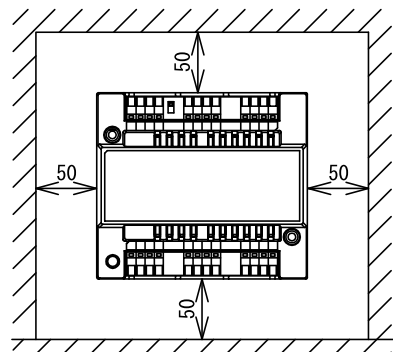
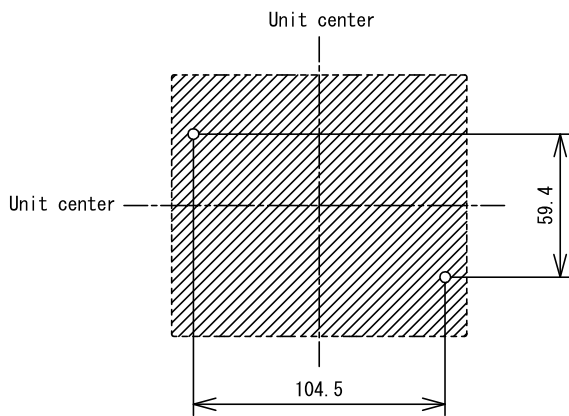
GT-4Z

PRODUCT DRAWING



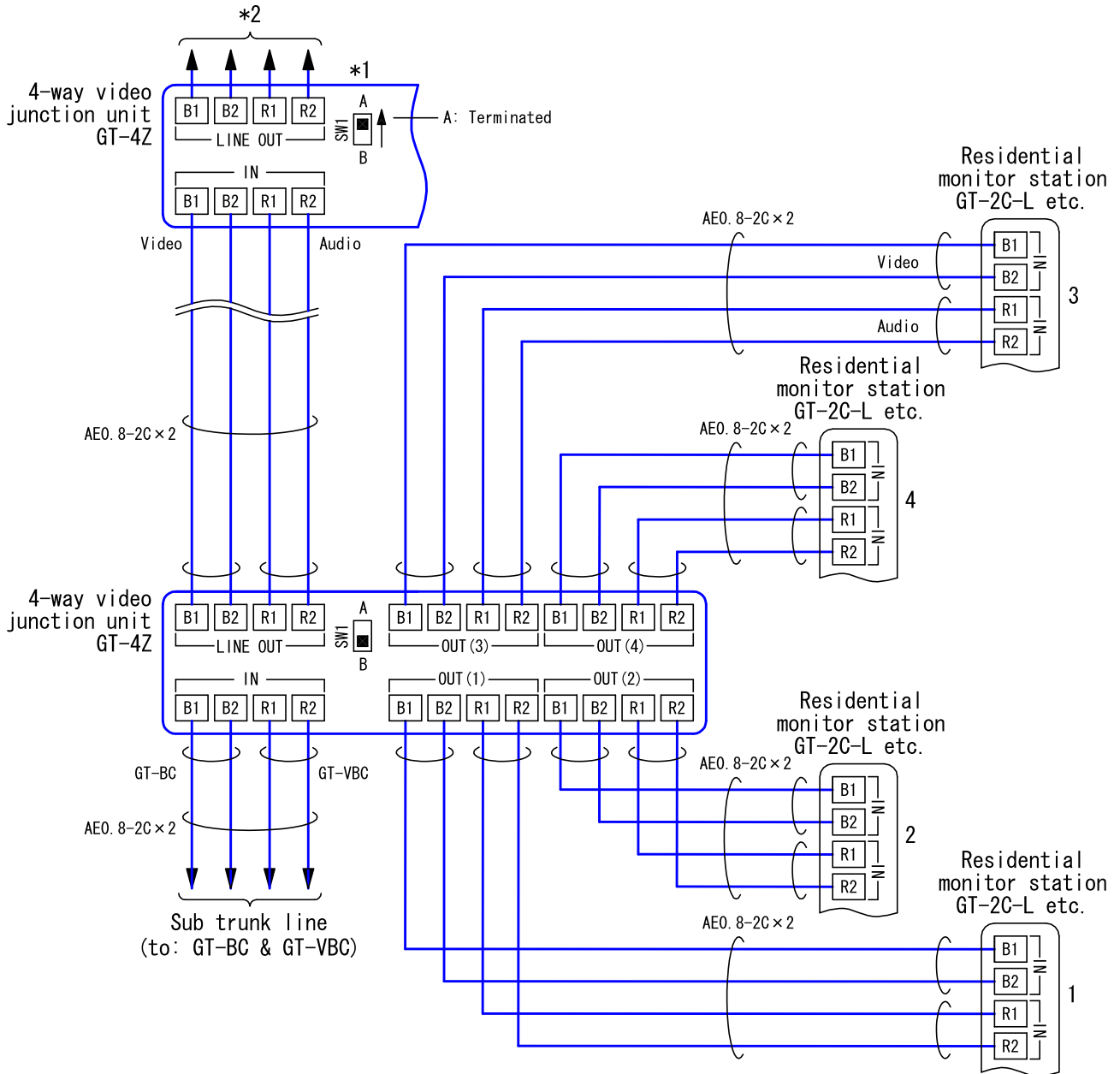
MOUNTING

When DIN rail is not provided



* Secure a space inside the enclosure box or between the walls for heat radiation and servicing purpose.

■ WIRING DIAGRAM



- *1. On each Sub trunk line, terminate the last GT-4Z (Set SW1 to A pos.), when its LINE OUT terminals remain vacant.
- *2. The last GT-4Z unit only is available to connect the fifth Residential monitor station (GT-2C-L). (In this case, set SW1 to B pos.)
- *3. GT-2C-L is available only to connect to Sub trunk line, GT-4Z used, never on the one, Monitor-to-Monitor wired.

■ RESTRICTIONS

- Trunkage capacity: Up to 6 units GT-4Z may be connected per Sub trunk line.
- Distance is up to 150m away from GT-VBC to the farthest Residential monitor station.

■ FUNCTIONS

- Distributes in 4 ways audio, video & data signals from Bus control unit (GT-BC) & Video Bus control unit (GT-VBC).

■ SETTING

- Terminating the last GT-4Z unit. (Put SW1 to A position.)