

Selection of LOUDSPEAKERS



**Concealed/
flush-mounted** **5W / 8Ω**

mat natural anodized
aluminium front panel
(perforated), 5 m cable

Part no. 40.006.100



**Concealed/
flush-mounted** **5W / 8Ω**

mat natural anodized
aluminium front panel
(slotted), 5 m cable

Part no. 40.006.101

Installation procedures:

concealed: The orange box is put in plaster. The front panel with the loudspeaker is inserted into the box and fixed to it by 2 screws (cutout: 150 x 75 x 55 mm).

flush-mounted: The orange box is inserted into the table board/metal housing and fixed by 4 screws (cutout 136 x 68 mm). The front panel with the loudspeaker is inserted into the box and fixed to it by 2 screws.



Flush-mounted **5W / 8Ω**

mat natural anodized
aluminium front panel
(perforated), 5 m cable

Part no. 40.006.102



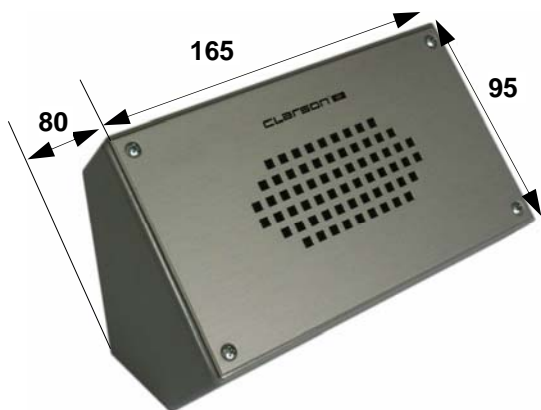
Flush-mounted **5W / 8Ω**

mat natural anodized
aluminium front panel
(slotted), 5 m cable

Part no. 40.006.103

Installation procedure:

flush-mounted: The complete loudspeaker is inserted into the cutout of a table board/metal housing and fixed to it by 4 screws (cutout: 136 x 68 mm).



Surface-mounted 5W / 8Ω

mat natural anodized aluminium front panel (perforated), brushed stainless steel case, 5 m cable

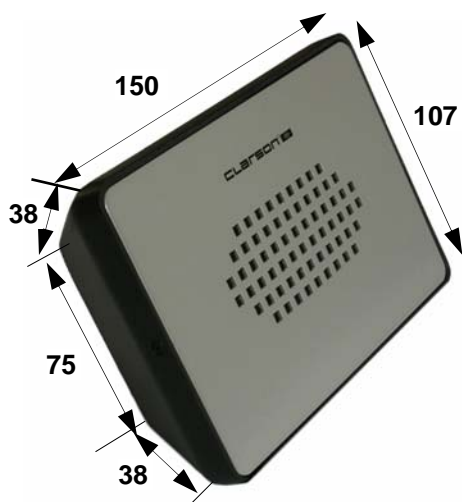
Part no. 40.006.106



Surface-mounted 5W / 8Ω

mat natural anodized aluminium front panel (slotted), brushed stainless steel case 5 m cable

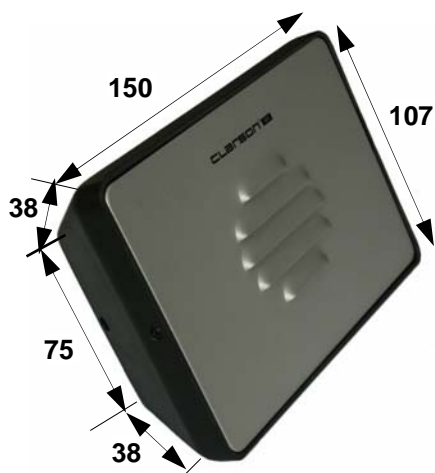
Part no. 40.006.107



Surface-mounted 5W / 8Ω

mat natural anodized aluminium front panel (perforated), RAL 9006 black plastic case 5 m cable

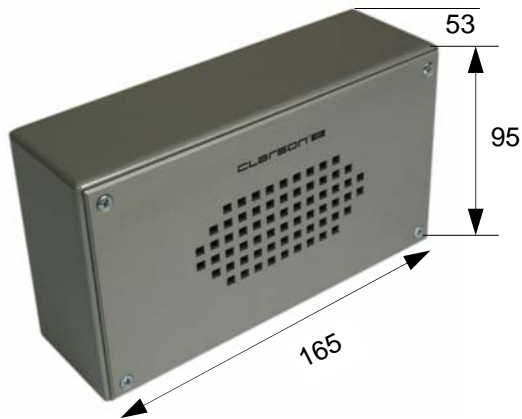
Part no. 40.006.108



Surface-mounted 5W / 8Ω

mat natural anodized aluminium front panel (slotted), RAL 9006 black plastic case 5 m cable

Part no. 40.006.109



Surface-mounted 5W / 8Ω

mat natural anodized alu
front panel (perforated)
brushed stainless steel case,
5 m cable

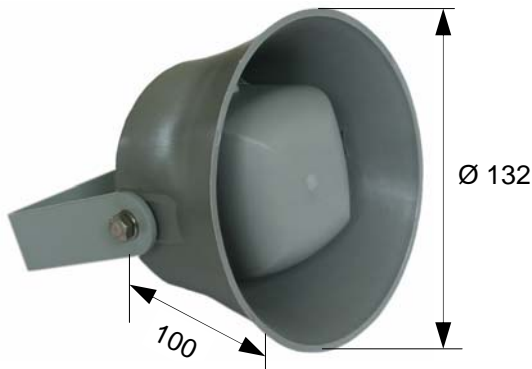
Part no. 40.006.104



Surface-mounted 5W / 8Ω

mat natural anodized
alu front panel (slotted)
brushed stainless steel case
5 m cable

Part no. 40.006.105

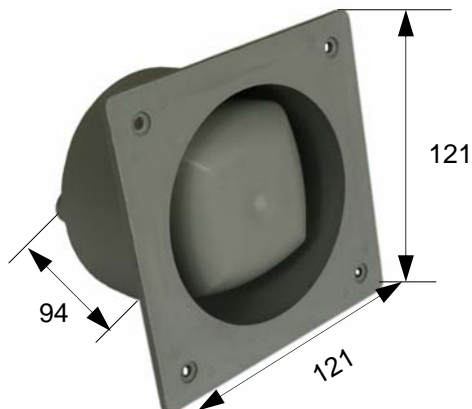


Pressure chamber
loudspeaker

surface-mounted 6W / 20Ω

IP 55 - RAL 7037
5 m cable

Part no. 40.006.113

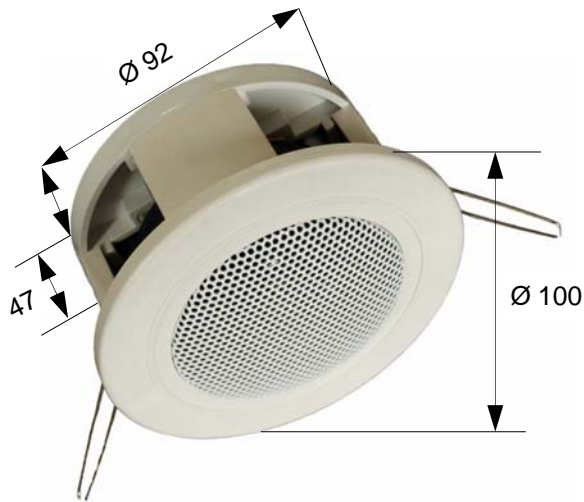


Pressure chamber
loudspeaker

flush-mounted 6W / 20Ω

IP 55 - RAL 7037
5 m cable

Part no. 40.006.114

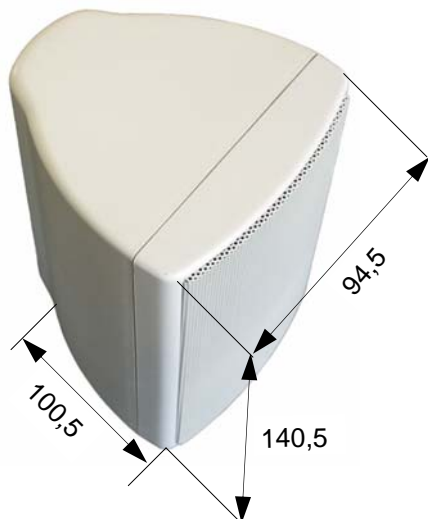


Flush-mounted
ceiling loudspeaker

6W / 20Ω

with mounting ring and
perforated alu grill
RAL 9016, 5 m cable

Part no. 40.006.110

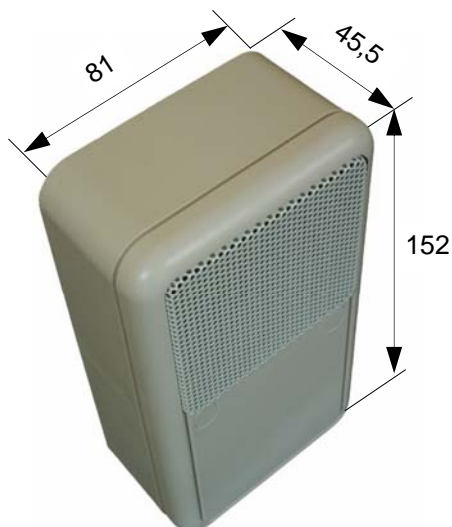


Wall or ceiling-
mounted box

10W / 8Ω

metal grill, plastic housing
with mounting brackets
RAL 9003, 5 m cable

Part no. 40.006.111



Surface-mounted
loudspeaker

6W / 20Ω

plastic housing, perforated
metal grill, RAL 9016
5 m cable

Part no. 40.006.112