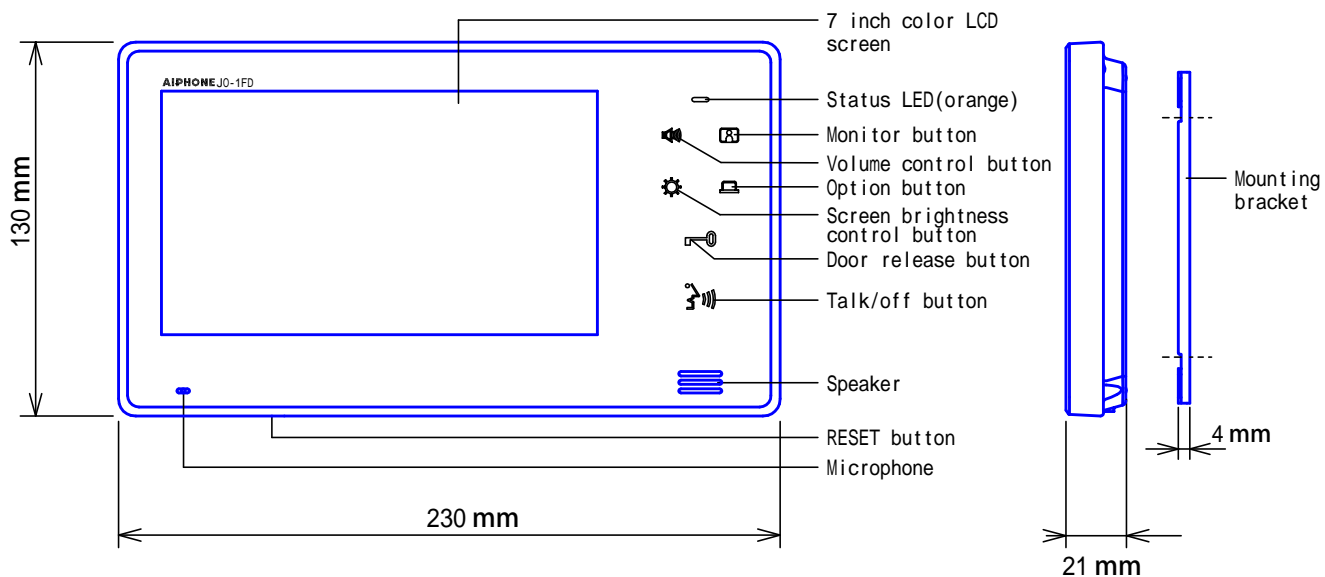
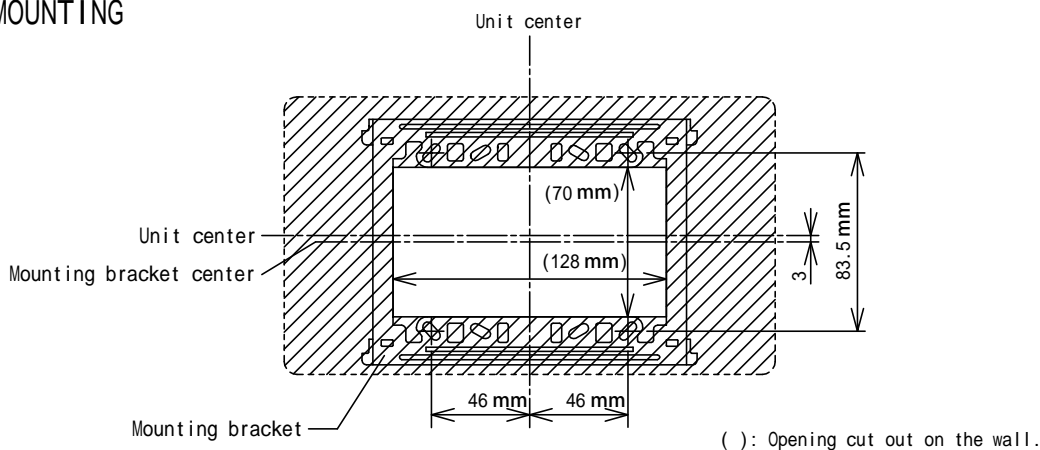


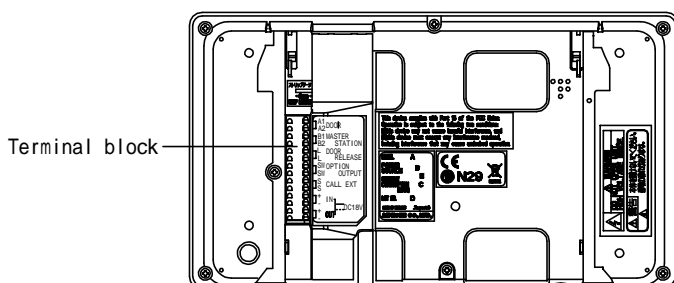
PRODUCT DRAWING



MOUNTING



<Back view>

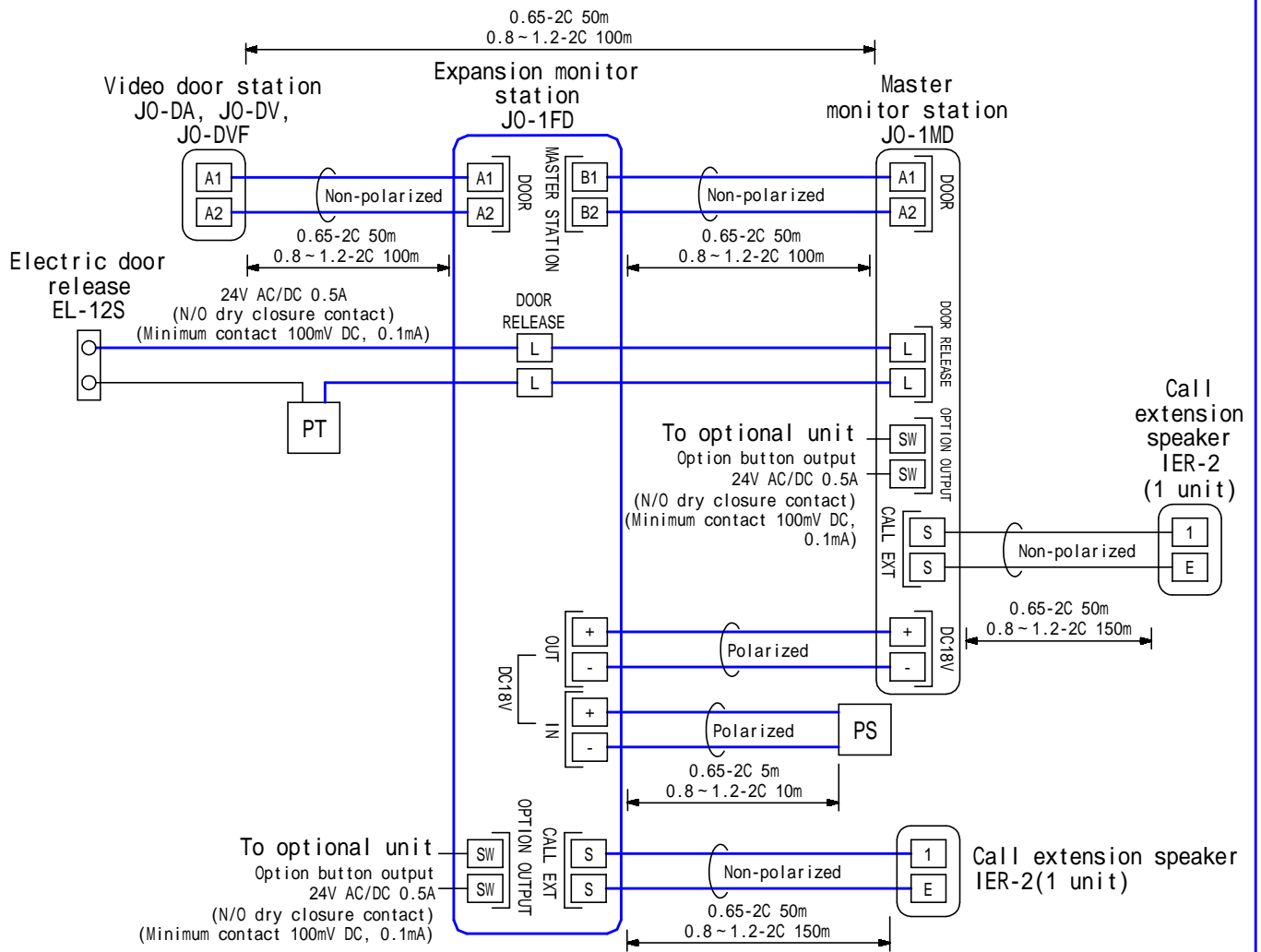


DESCRIPTION EXPANSION MONITOR STATION	FIG. NAME PRODUCT DRAWING	UNIT mm	DATE 10 June, 2013
MODEL NO. JO-1FD	FIG. NO. 59251-1-4	PAGE 1/4	REVISION 1
			AIPHONE

SPECIFICATIONS

Power source	18V DC, Supplied from a power supply		
Power consumption	420mA(max.) 38mA(standby.)		
Video monitor	7" TFT color LCD		
Pixels	300,000 pixels (approx.)		
Type of communication	Open voice hands-free auto-voice actuation or Press-to-talk communication		
Ambient temperature	0 ~ 40		
Video door station	1 unit		
Expansion monitor station	1 unit		
Call extension	1 unit		
Call tone	1 fixed call tone only		
Door release contact	24V AC/DC, 0.5A (N/O dry closure contact)		
Option button output	24V AC/DC, 0.5A (N/O dry closure contact)		
Mounting	Surface wall mount		
Electrical box	3-gang box		
Material	Unit case: Fire-retardant ABS resin		
	Surface panel: Polycarbonate		
Weight	Approx.480g		
Unit color	Pure white (N9.5 Munsell Approximation)		
DESCRIPTION	FIG. NAME	UNIT	DATE
EXPANSION MONITOR STATION	SPECIFICATIONS	mm	10 June, 2013
MODEL NO.	FIG.NO.	PAGE	REVISION
JO-1FD	59251-2-4	2/4	1
			AIPHONE

WIRING DIAGRAM



PS : 18V DC, PS-1820 power supply

PT : AC transformer

DESCRIPTION EXPANSION MONITOR STATION	FIG. NAME WIRING DIAGRAM	UNIT mm	DATE 10 June, 2013
MODEL NO. JO-1FD	FIG. NO. 59251-3-4	PAGE 3/4	REVISION 1
			AIPHONE

RESTRICTIONS ON OPERATING

Due to hands-free auto-voice actuation system, smooth voice switching may be hindered by voice strength of the opponent or ambient noise, etc.

One Call extension speaker can be connected.

The adjusting with call tone volume on the Master monitor station does not vary the volume from Call extension speaker.

Room-to-room communication is not available.

Instant voice call in of door station is not available.

When the power supply is turned off, power failure, or the RESET button is pressed, the setting of brightness, communication volume, and call tone volume are returned to the default setting.

RESTRICTIONS ON WIRING

For wiring, it is recommended to use a single PVC jacketed cable with PE(polyethylene) insulation. The following cables can not be used;

Coaxial cable

Individual conductors

Twisted pair cable

Cable with conductors in odd number

PARALLEL CABLE



COAXIAL CABLE



ODD NO.
OF CONDUCTORS



Keep the intercom wires more than 30cm away from AC powerlines.

(It causes noise in communication and malfunction) When using the existing cable run, the system may not work properly by type. In that case, it becomes necessary to install a new cable.

A1 and A2 between the Expansion monitor and Master monitor stations and the +, - power line cables can all be wired with the same sheath.

Other wiring must be separated by at least 10cm from A1, A2 and the power cables.

FUNCTIONS

Calling door station, call stand-by approx. 45 sec./Communication, approx. 1 min. timed/
Ending communication by pressing Talk/off button.

Monitoring audio/video of door station, approx. 1 min. timed.

Press-to-talk communication, after pressing Talk/off button approx. 2 sec. or more

Activating door strike.

When a short is detected between A1 and A2 of the door station, the unit stops functioning and the Status LED flashes rapidly until the short is removed.

Option button: Controls external device such as entrance light.

SETTING

Adjust Call tone volume (HIGH - MID* - LOW - mute) Volume control button

Adjust Receive volume (HIGH - MID* - LOW)..... Volume control button

Adjust Screen brightness (5 levels, Default level 3) Screen brightness control button

*. Default setting

DESCRIPTION EXPANSION MONITOR STATION	FIG. NAME RESTR./FCN./SETTING	UNIT mm	DATE 10 June, 2013
MODEL NO. JO-1FD	FIG.NO. 59251-4-4	PAGE 4/4	REVISION 1
			AIPHONE