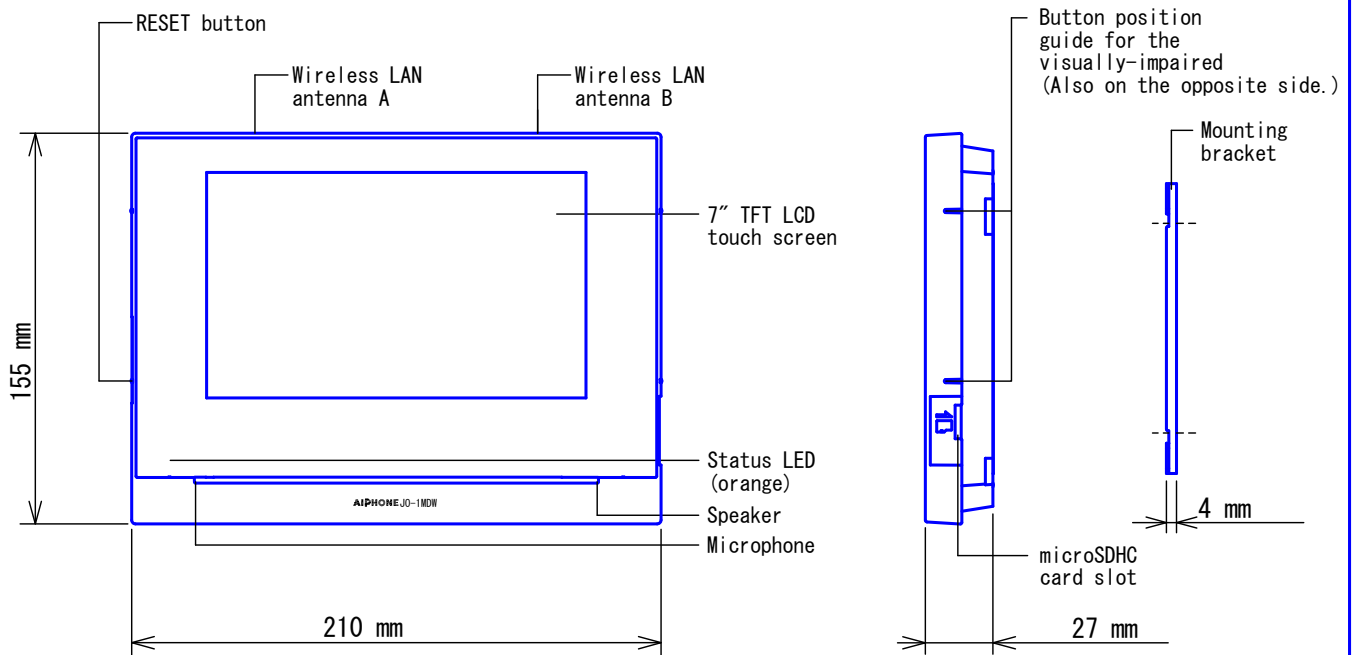
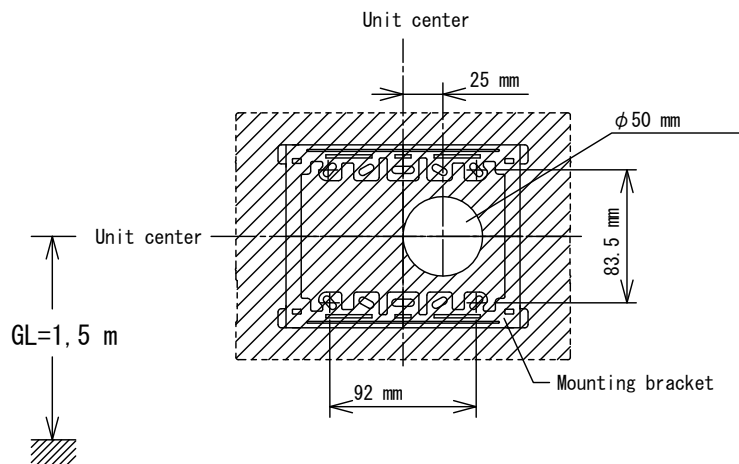


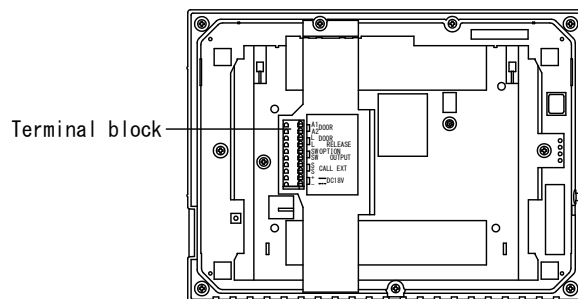
■ PRODUCT DRAWING



● MOUNTING



<Back view>

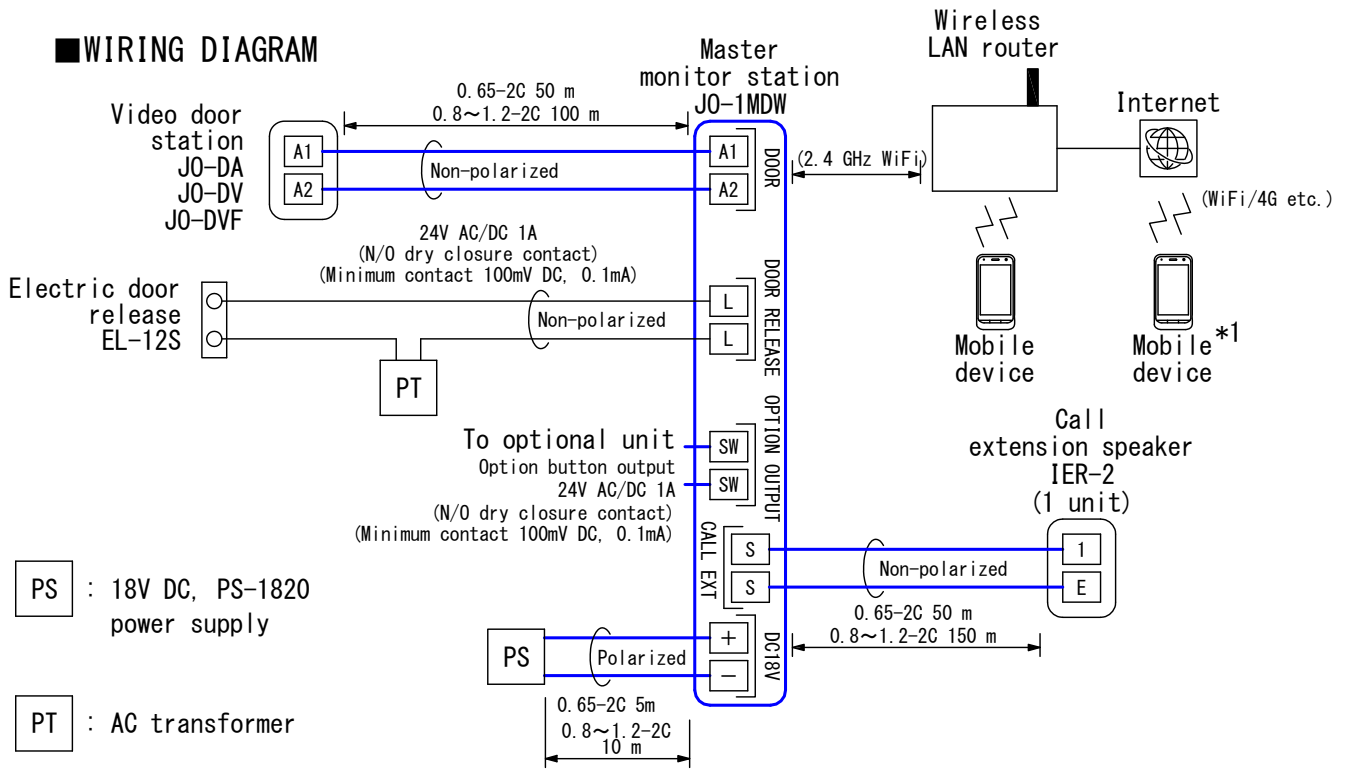


DESCRIPTION MASTER MONITOR STATION	FIG. NAME PRODUCT DRAWING	UNIT mm	DATE 20 December, 2018
MODEL NO. JO-1MDW	FIG. NO. J52567-1-9	PAGE 1/9	REVISION 1
			AIPHONE

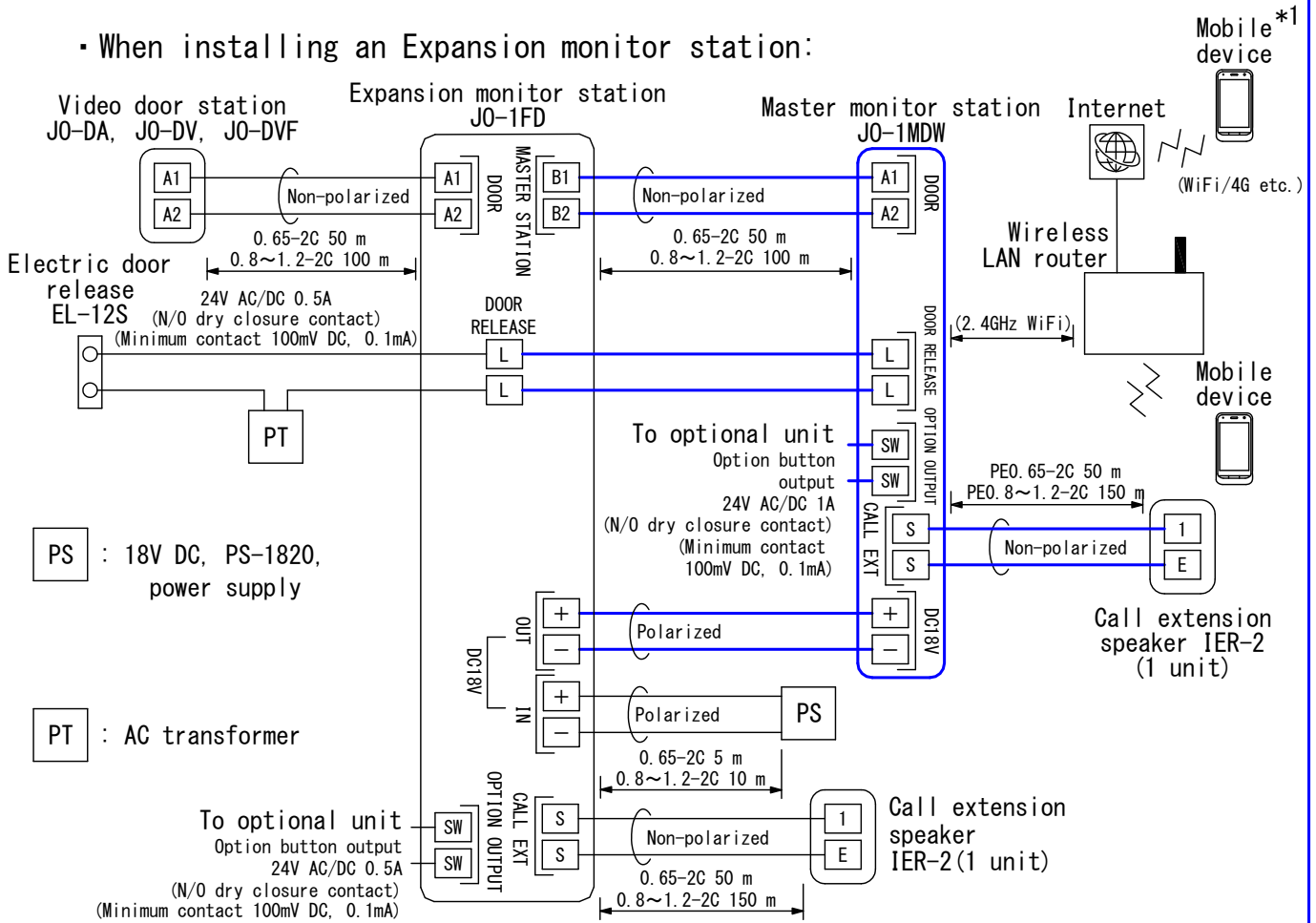
■ SPECIFICATIONS

Power source	18V DC, Supplied from a power supply		
Current consumption	450mA (max.) 80mA (standby)		
Video monitor	7" TFT LCD touch screen		
Pixels	800 x 480 (approx. 384,000 pixels)		
Type of communication	Open voice hands-free auto-voice actuation or Touch-to-talk communication		
Ambient temperature	0~40°C		
Video door station	1 unit		
Expansion monitor station	1 unit		
Call Extension speaker	1 unit		
Wiress LAN interface	IEEE802.11b/g/n		
Video memory	Built-in memory: 10 recordings (max.) (10 seconds/recording) microSDHC card : 1,000 recordings (max.) (10 seconds/recording)		
Protect video	Built-in memory: 5 recordings (max.) microSDHC card : 100 recordings (max.)		
SD card	Supported card	microSDHC card : 4GB-32GB	
	Format	FAT32	
	File type	H.264	
Door release contact	24V AC/DC, 1A (N/O dry closure contact)		
Option button output	24V AC/DC, 1A (N/O dry closure contact)		
Mounting	Surface wall mount		
Material	Unit case: Self-extinguishing PC + ABS resin		
	Surface panel: Glass		
Weight	620g (approx.)		
Unit color	Snow white (5Y9.3/0.1 Munsell Approximation)		
DESCRIPTION	FIG. NAME	UNIT	DATE
MASTER MONITOR STATION	SPECIFICATIONS	mm	20 December, 2018
MODEL NO.	FIG. NO.	PAGE	REVISION
JO-1MDW	J52567-2-9	2/9	1
			AIPHONE

WIRING DIAGRAM



• When installing an Expansion monitor station:



*1. A separate Internet service contract is required.

DESCRIPTION	FIG. NAME	UNIT	DATE
MASTER MONITOR STATION	WIRING DIAGRAM	mm	20 December, 2018
MODEL NO.	FIG. NO.	PAGE	REVISION
JO-1MDW	J52567-3-9	3/9	1

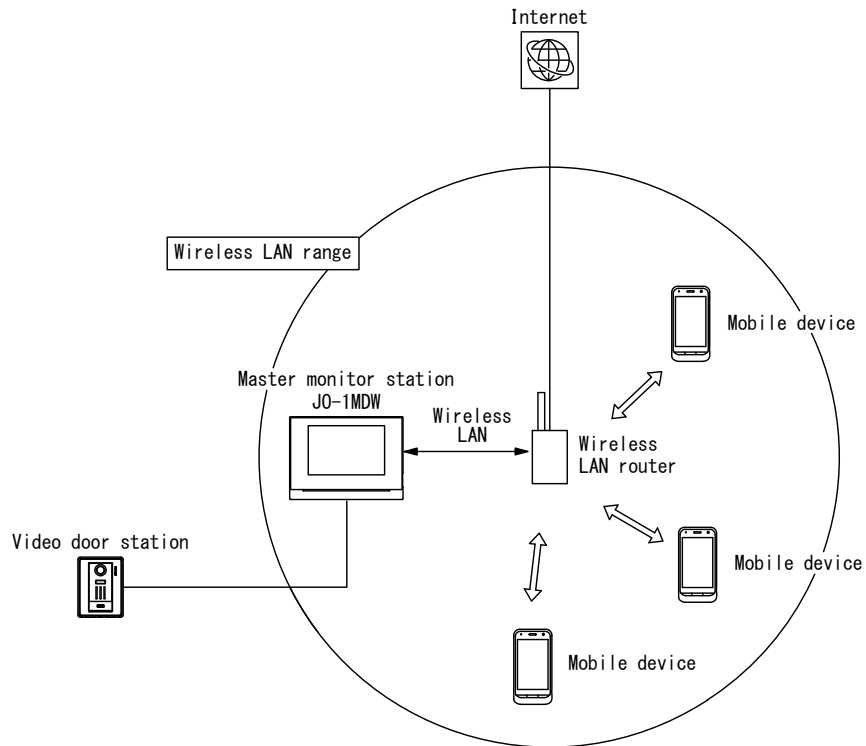
AIPHONE

■ ABOUT WIRELESS LAN COMMUNICATION

- Depending on the hearing aid, noise might occur in voice communication with a smartphone or the like for which operation of the intercom application has been confirmed.
- Audio might be interrupted or experience noise during speaking while moving or when an automobile or motorcycle passes close by.
- If any obstructions described below are present in the space between the wireless LAN router and the master monitor station, the radio waves can be blocked and become extremely weak. For this reason, even when the distance to the master monitor station is not far, audio corruption or audio drop-out, corrupted pictures, slow video, or inability to communicate might occur.
 - Metal doors or storm doors
 - Walls containing insulating material with an aluminum-foil lining
 - Concrete or galvanized sheet-steel walls
 - Large number of walls or other obstructions, even within a wooden structure
(When using a mobile device in a room different from the room in which the master monitor station is installed or on another floor.)
- Cases of deliberate third-party eavesdropping of wireless communication may occur.
Always encrypt your wireless LAN networks.

⚠ Important Notes

- When using a mobile device indoors, it must be used within the wireless LAN range centered on a wireless LAN router or 3G/4G.
- Communication between the wireless LAN router and the mobile device must be encrypted.
- If the power for the wireless LAN router on the master monitor station is not turned on, the intercom functionality of the mobile device cannot be used.
- If the wireless LAN router or mobile device is not connected to the Internet, the intercom functionality of the mobile device cannot be used.



DESCRIPTION MASTER MONITOR STATION	FIG. NAME ABOUT WIRELESS LAN COMMUNICATION	UNIT mm	DATE 20 December, 2018
MODEL NO. JO-1MDW	FIG. NO. J52567-4-9	PAGE 4/9	REVISION 1
			AIPHONE

■ ABOUT WIRELESS LAN INTERFERENCE

- The master monitor station uses the band of 2.4GHz.
(The band for motion-detection devices can be avoided.
Modulation method: DS-SS or OFDM; interference-producing distance is 40 m.)
Because interference with the following equipment can occur, installation at a distance of 3 m or greater is recommended.
 - Digital cordless telephones, facsimile machines, microwave ovens, other wireless LAN equipment (routers, audiovisual equipment, security equipment), etc.
 - Other equipment that uses radio waves in the 2.4GHz frequency band
 - Wireless audiovisual equipment (television sets, video decks, personal computers, etc.)
 - Wireless controllers for game consoles
 - Amateur radio stations
 - Material-handling management systems in factories, warehouses, etc.
 - Detection systems in railway cars and emergency vehicles
 - Microwave-using medical equipment
 - Mobile telephones
 - Transceivers
 - Bluetooth(TM)-capable equipment, optical beacons, etc.
- Because proximity to television sets, radios, and other electrical products can cause noise or radio interference, install as far from such equipment as possible.
(recommended minimum: 3 m)
 - Magnetism and fluorescent lighting, refrigerators, etc.: can cause interruption in communication with the mobile device
 - Television sets, radios, door station, etc.: can cause noise, picture corruption, or other interference
 - Audiovisual and office-automation equipment, etc.: the ring tone of the mobile device might fail to be produced
 - Chargers, AC adapters, etc., for other equipment (smartphones, etc.): Communication of the mobile device might be interrupted, the ring tone might fail to be produced
 - Television-set coaxial plugs, speakers, etc.: noise might occur between mated equipment

[IMPORTANT NOTES ABOUT THE WIRELESS LAN]

- In addition to microwave ovens and other industrial, scientific, and medical equipment, indoor wireless communication stations (license-requiring wireless communication stations) for motion detection used on factory production lines and the like, designated low-power wireless communication stations (wireless communication stations that do not require a license), and amateur radio stations (license-requiring wireless communication stations) use the frequency band used by the master monitor station.
 - Before using the master monitor station, check to make sure that no indoor wireless communication stations for motion detection or designated low-power wireless communication stations are in use in the vicinity.
 - In the event that incidents of harmful radio-wave interference from the master monitor station are experienced by a wireless communication station for motion detection, take action to ensure no mutual interference, such as installing partitions to avoid interference or relocating the equipment.

DESCRIPTION	FIG. NAME	UNIT	DATE
MASTER MONITOR STATION	ABOUT WIRELESS LAN INTERFERENCE	mm	20 December, 2018
MODEL NO.	FIG. NO.	PAGE	REVISION
JO-1MDW	J52567-5-9	5/9	1
			AIPHONE

■ RESTRICTIONS ON OPERATING

- Due to hands-free auto-voice actuation system, smooth voice switching may be hindered by voice strength of the opponent or ambient noise, etc.
- One call extension speaker can be connected.
- The adjustment for call ringtone on the master monitor station does not vary the volume from call extension speaker.
- Room-to-room communication is not available.
- Instant voice call in of door station is not available.

■ RESTRICTIONS REGARDING THE INTERCOM FUNCTIONALITY OF THE SMARTPHONE, etc.

- When using a mobile device, prepare a commercially available Wi-Fi router to connect the system to the Internet.
- Depending on the performance of the network environment and the mobile device, audio drop-out or latency in picture acquisition might occur.
- Because communication with the mobile device is intercommunication, there can be cases where, depending on the communication audio of the other device, the ambient environment, or the like, natural communication such as simultaneous intercommunication can not be feasible.
- Using the master monitor station over the internet is not possible.
- The audio and the picture on the mobile device might be unsynchronized.
- Up to 8 mobile devices can be registered for a single master monitor station.
- The wireless LAN cannot be used without an internet service contract.

■ RESTRICTIONS ON WIRING

- For wiring, use a single PVC jacketed cable with PE (polyethylene) insulation.

The following cables can not be used:

- Coaxial cable
- Individual conductors
- Twisted pair cable
- Cable with conductors in odd number

PARALLEL CABLE



COAXIAL CABLE



ODD NO. OF CONDUCTORS



- Keep the intercom wires more than 30cm away from AC power lines, otherwise communication noise or malfunction may occur.

If using existing wiring, ensure that the cables are compatible with this system. If necessary, install new cables.

- A1 and A2 between the Expansion monitor and Master monitor stations and the +, - power line cables can all be wired with in the same sheath.

Other wiring must be separated by at least 10cm from A1, A2 and the power cables.

DESCRIPTION MASTER MONITOR STATION	FIG. NAME RESTRICTIONS	UNIT mm	DATE 20 December, 2018
MODEL NO. JO-1MDW	FIG. NO. J52567-6-9	PAGE 6/9	REVISION 1
			AIPHONE

■FUNCTIONS

- Calling door station, call stand-by approx. 45 sec
- Communication, approx. 60 sec or 180 sec. timed/Ending communication by pressing Talk/off button
- Automatic night-time illumination by LED light
- Picture display
- Monitoring video door station, approx. 1 min. timed
- Touch-to-talk method
- Playback of recorded video by pressing Play
- Releasing of electric lock by pressing Door Release during call from door station, while talking, while monitoring or displaying menu screen
- When a short is detected between A1 and A2 of the door station, the unit stops functioning and the Status LED flashes rapidly until the short is removed
- Option button: Controls external device such as entrance light
- Software version upgrade (automatic/manual)
- Viewing of the following notifications by pressing Notification
 - Software update information
 - Equipment error information
- Connecting with an intercom application is possible through the internet connection with the wireless LAN router and the master monitor station
- An INTERCOM APP Type B (iOS, Android) can be used for this system
For detailed information, refer to our website (<https://www.aiphone.net/>)

[RECORDING FUNCTIONS]

- Automatic recording (up to 10 sec. of recording, starting after 2 sec.)/illumination of "Recording" when called from a door station
- Manual recording by pressing "Recording" button

●INTERCOM APP Type B

- Call/communication from door station
- Door station monitor
- Release of electric lock
- Option button: Controls external device such as entrance light
- Switching between speaker and telephone-style communication
- Picture zoom in and zoom out through pinch-in and pinch-out operations
- Watching recordings

DESCRIPTION MASTER MONITOR STATION	FIG. NAME FUNCTIONS	UNIT mm	DATE 20 December, 2018
MODEL NO. JO-1MDW	FIG. NO. J52567-7-9	PAGE 7/9	REVISION 1
			AIPHONE

■ SETTING

Item	Setting range	Default
Brightness	1-5	3
Volume		
Ringtone	0-3	2
Receive	1-3	2
Touch Sounds	ON/OFF	ON
Date/Time		
Current Time	MONTH/DAY/YEAR/TIME	Jan. /1/2019/00:00
Date/Time Format	mm/dd/yyyy (12h) , mm/dd/yyyy (24h) , dd/mm/yyyy (12h) , dd/mm/yyyy (24h)	mm/dd/yyyy (12h)
Time Zone	100 time zones	-
Daylight Saving Time	None/+1 (h)	None
Language	ENGLISH/FRANCAIS/NEDERLANDS/ESPAÑOL/DEUTSCH/ ITALIANO	ENGLISH
Communication Timer	60 Sec. /180 Sec.	60 Sec.
Cleaning Mode		
Door release/Option		
Door release	Enable/Disable	Enable
Option output	Enable/Disable	Enable
Notification LED	ON/OFF	ON
Other Settings		
Register/Delete apps		
Register Apps	-	-
Delete Apps	-	-
App Info	-	-
microSDHC card		
Format microSD card	-	-
Export recordings to microSDHC card	-	-
Station Information		
Check for FW update	-	-
Automatic FW update	Update Automatically/Notify Only/No Check	Notify only
Network		
Auto connect (WPS)	-	-
Manual Setup		
Wi-Fi		
SSID	-	-
Encryption	NONE/WEP/WPA-PSK (TKIP/AES) /WPA2-PSK (AES)	WPA2-PSK (AES)
Password	-	-
IP Address		
IP	Auto/Manual	Auto
IP Address	-	-
Subnet Mask	-	-
Default Gateway	-	-
DNS Server	-	-
Connection Check	-	-
Status	-	-

DESCRIPTION MASTER MONITOR STATION	FIG. NAME SETTING	UNIT mm	DATE 20 December, 2018
MODEL NO. JO-1MDW	FIG. NO. J52567-8-9	PAGE 8/9	REVISION 1
			AIPHONE

Item	Setting range	Default
Other setting		
Network Advanced Settings		
Wi-Fi	Enable/Disable	Enable
Antenna Selection	Antenna A/Antenna B	Antenna A
Default User Settings	-	-
Regulatory	-	-
Privacy Policy	-	-
Administrator Settings	-	-

• Administrator settings

Item	Setting range	Default
Maintenance		
Export Logs	-	-
Door Release	1-30 sec.	5 sec.
Option Output	1-30 sec.	5 sec.
Factory Reset	-	-

DESCRIPTION MASTER MONITOR STATION	FIG. NAME SETTING	UNIT mm	DATE 20 December, 2018
MODEL NO. JO-1MDW	FIG. NO. J52567-9-9	PAGE 9/9	REVISION 1
			AIPHONE