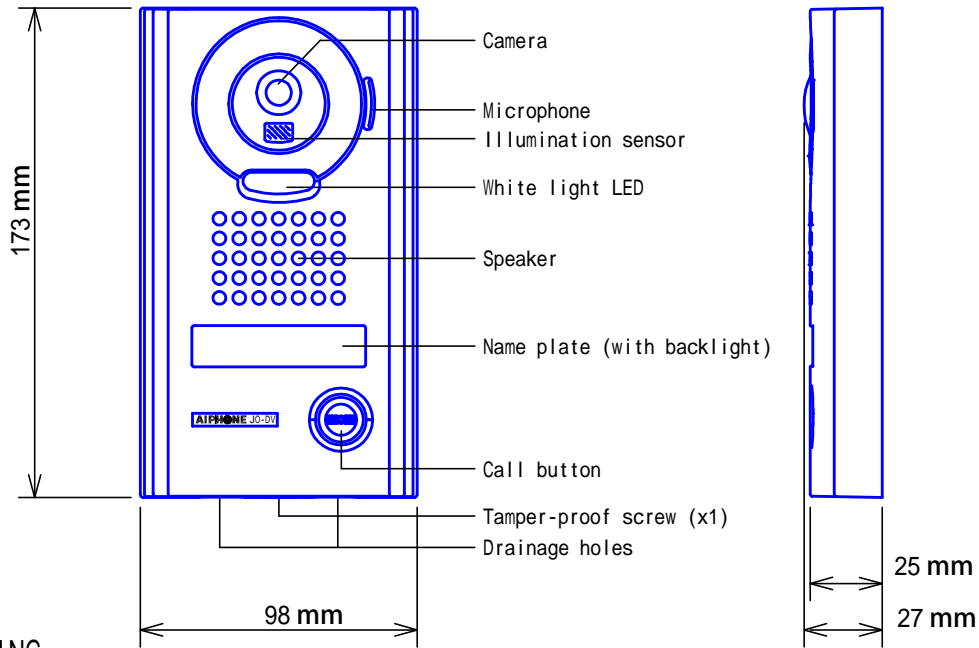
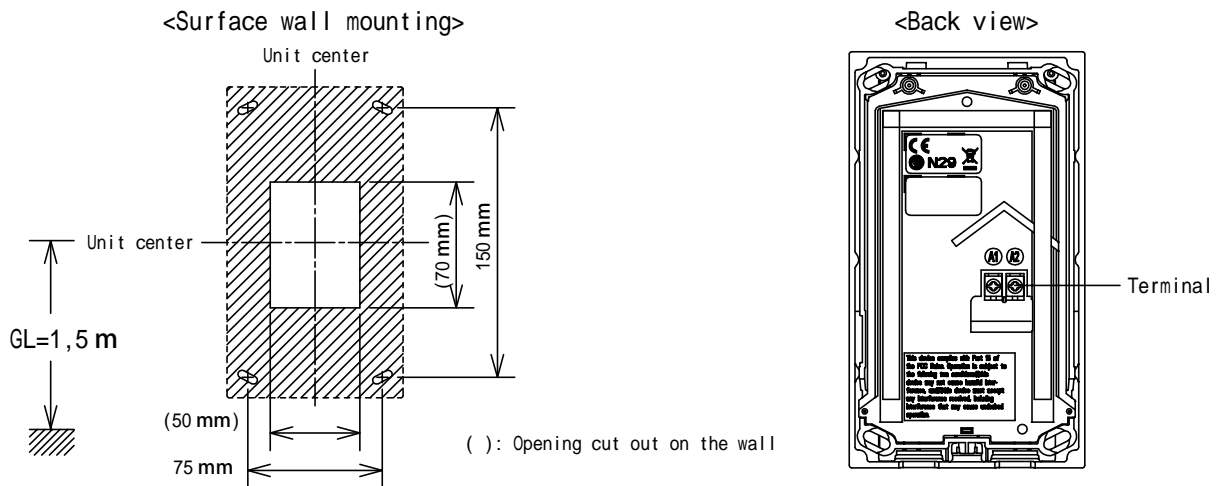


PRODUCT DRAWING



MOUNTING



SPECIFICATIONS

Power source	Supplied from Master monitor station or Expansion monitor station			
Type of communication	Open voice hands-free communication			
Camera	1/4" color CMOS			
Minimum illumination	5 lux (approx.)			
Ambient temperature	-20 ~ +60			
Mounting	Surface wall mount (Directly to wall or electrical box)			
Electrical box	Single-gang box			
Material	Front panel: Zinc diecasting. Main unit: Flame resisting PC + ABS resin			
Weight	650g (approx.)			
Unit color	Front panel: Solid silver			
IP rating	IP54			
IK rating	IK08			
DESCRIPTION VIDEO DOOR STATION (Color, Vandal-resistant)	FIG. NAME PRODUCT/SPECIFICATIONS	UNIT mm	DATE 10 June, 2013	
MODEL NO. JO-DV	FIG.NO. 59284-1-2	PAGE 1/2	REVISION 1	AIPHONE

WIRING DIAGRAM

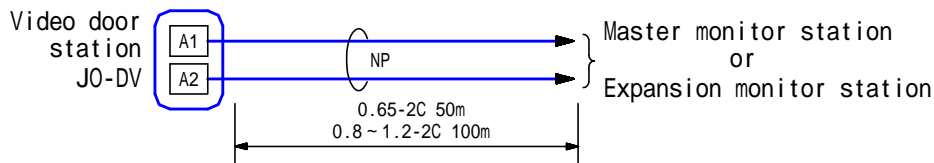
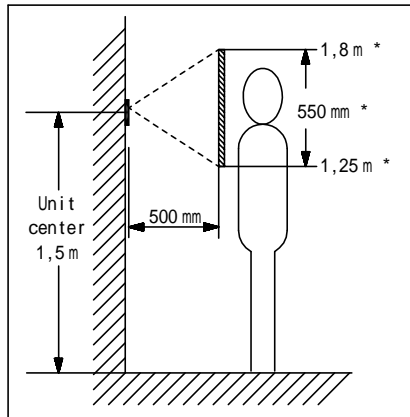


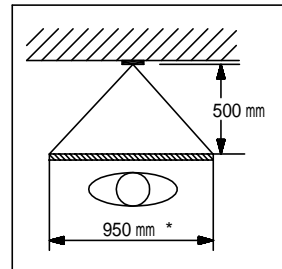
IMAGE VIEW AREA & MOUNTING HEIGHT

Camera angle straight forward position

Vertical



Horizontal



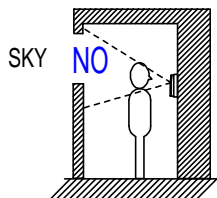
* The figures are approximate.

RESTRICTIONS

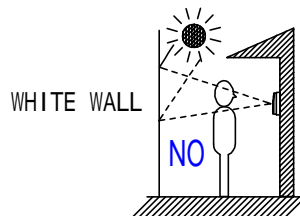
Do not have rain escape openings on bottom covered with caulking seals.

JO-DV door station is exclusively used for JO Series.

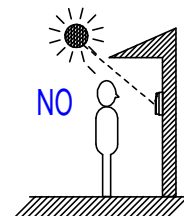
Avoid installing JO-DV door station in the following locations;



At the entrance where background is sky in upper floors of building, etc.



The background of the standing caller's is white wall.



Where the standing location is strongly sunlit.

FUNCTIONS

Initiating a call to and entering communication with Master monitor station or Expansion monitor station.

Name plate is backlit constantly.

White light LED turns on during low-light conditions when monitoring and talking status.

DESCRIPTION VIDEO DOOR STATION	(Color, Vandal-resistant)	FIG. NAME WIRING/IMAGE/RESTR./FCN.	UNIT mm	DATE 10 June, 2013
MODEL NO. JO-DV		FIG.NO. 59284-2-2	PAGE 2/2	REVISION 1
				AIPHONE