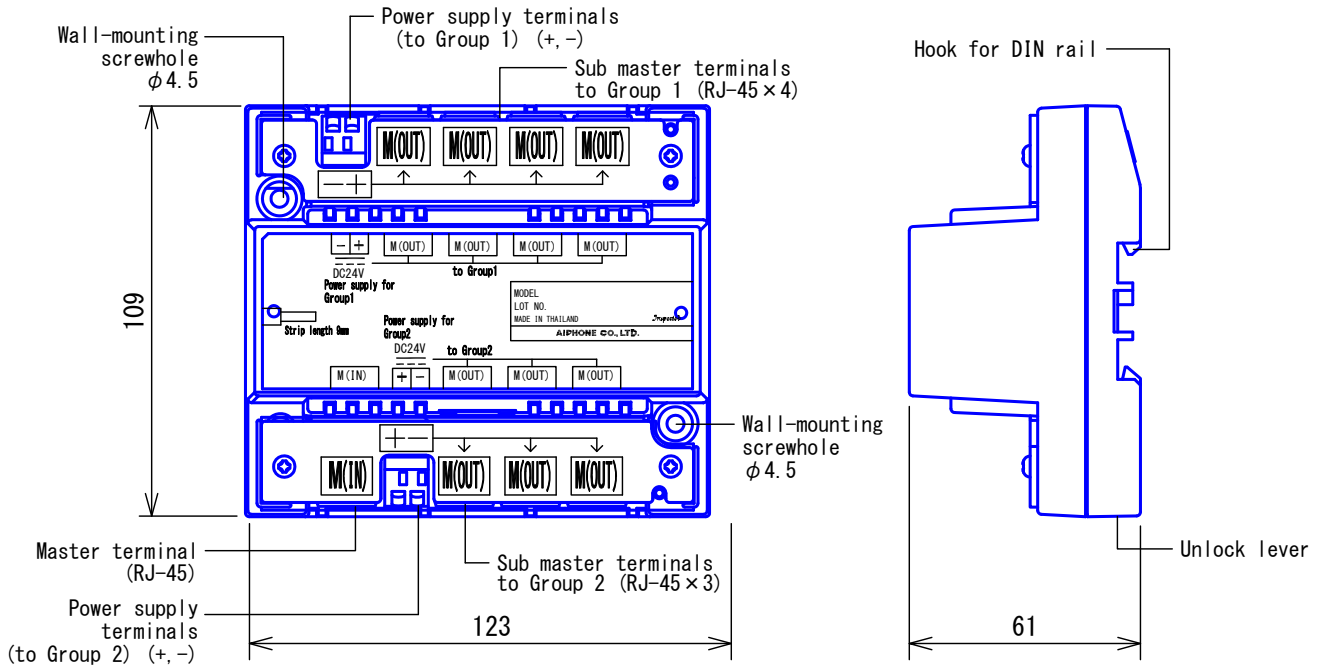
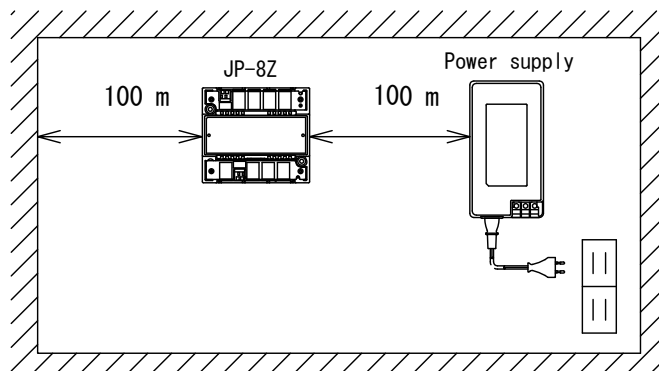


PRODUCT DRAWING



MOUNTING



Locate JP-8Z together with Power supply inside an Enclosure box or other protected for limited access.

SPECIFICATIONS

Power source	24V DC. Supplied from Power supply		
Ambient temperature	0~40°C		
Wiring distance	Cat5e	$\phi 0.65$	$\phi 1.0$
Master station - JP-8Z - Sub master station	250m	-	-
JP-8Z - Sub master station	50m	-	-
JP-8Z - Power supply	-	5m	10m
Mounting	Surface wall mounting or DIN rail (W-DIN11).		
Housing	Fire-retardant ABS plastic.		
Weight	Approx. 210g		
Unit color	Gray (5Y8/1 Munsell Approximation)		
Remarks	Used for: JP system		
DESCRIPTION	FIG. NAME	UNIT	DATE
DISTRIBUTION ADAPTOR (JP series)	PRODUCT/SPECIFICATIONS	mm	6 October, 2014
MODEL NO.	FIG. NO.	PAGE	REVISION
JP-8Z	59756-1-2	1/2	1

AIPHONE

