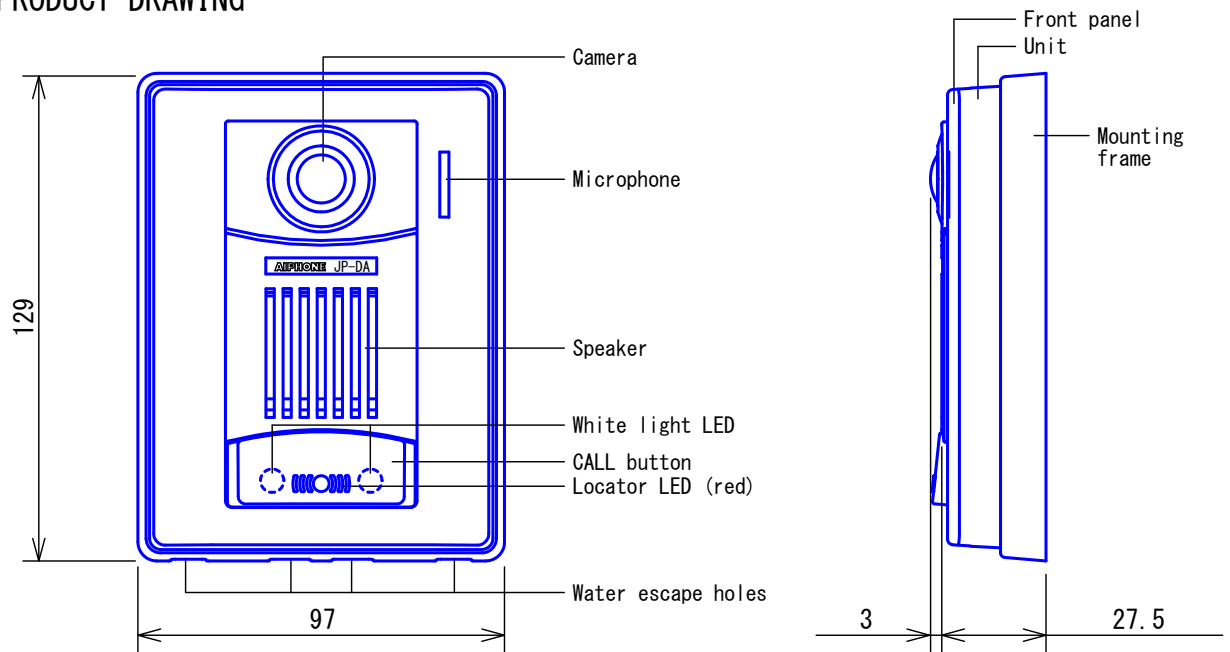
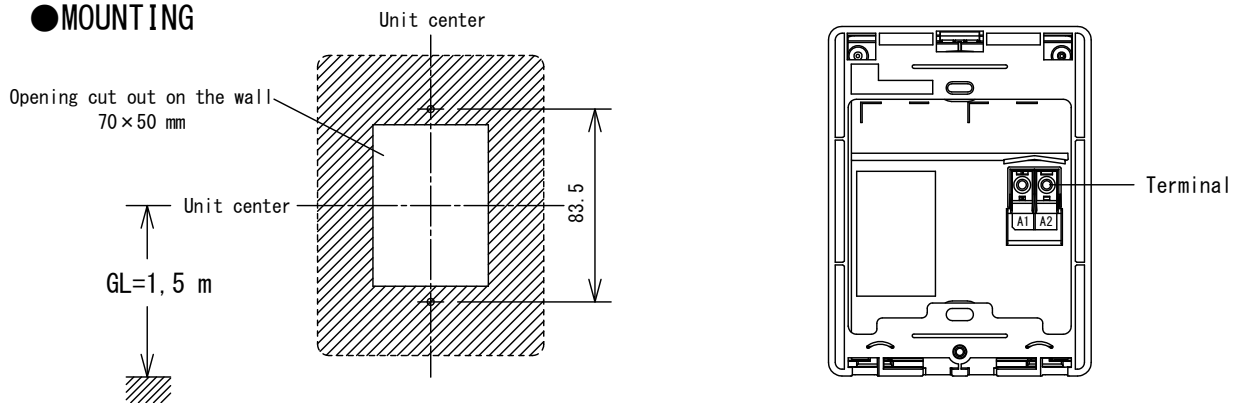


## ■ PRODUCT DRAWING



## ● MOUNTING

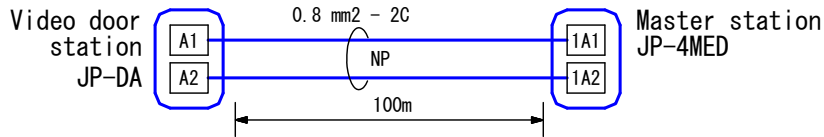


## ■ SPECIFICATIONS

|                            |   |      |                 |
|----------------------------|---|------|-----------------|
| Power source               | Supplied from Master station                            |      |                 |
| Type of communication      | Open voice hands-free communication                     |      |                 |
| Camera                     | 1/4 inch color CMOS                                     |      |                 |
| Minimum illumination       | 5 Lux   |      |                 |
| Camera angle               | Wide: 170° (approx.) (Horizontal)                       |      |                 |
| Ambient temperature        | -10~+60°C   |      |                 |
| Mounting                   | Surface wall mount (Directly to wall or electrical box) |      |                 |
| Electrical box             | Single-gang box   |      |                 |
| Material                   | Fire-retardant PC + ABS plastic                         |      |                 |
| Weight                     | 170g (approx.)  |      |                 |
| Unit color                 | Front panel: Shining silver<br>Unit: Clear Black        |      |                 |
| IP rating                  | IP54  |      |                 |
| IK rating                  | IK07  |      |                 |
| DESCRIPTION                | FIG. NAME   | UNIT | DATE            |
| VIDEO DOOR STATION (Color) | PRODUCT/SPECIFICATIONS                                  | mm   | 6 October, 2014 |
| MODEL NO.                  | FIG. NO.  | PAGE | REVISION        |
| JP-DA                      | 59723-1-3   | 1/3  | 1               |

**AIPHONE**

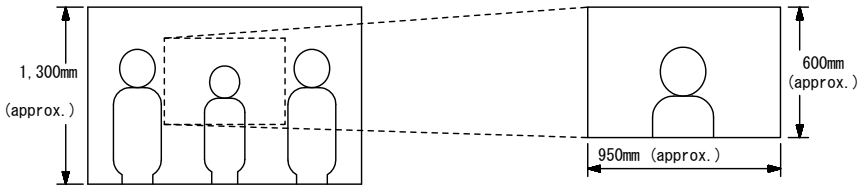
■ WIRING DIAGRAM



■ IMAGE VIEW AREA & MOUNTING HEIGHT

● Wide

● Zoom

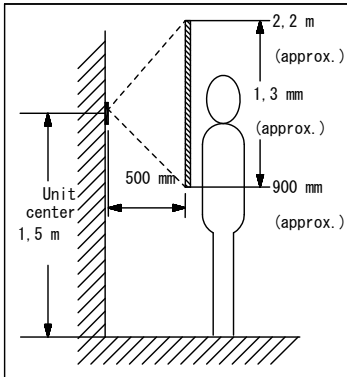


- Objects appear smaller due to greater distortion in the surrounding sections compared to the central section, but a wider area is displayed.
- Image view area depends on the camera zoom position.

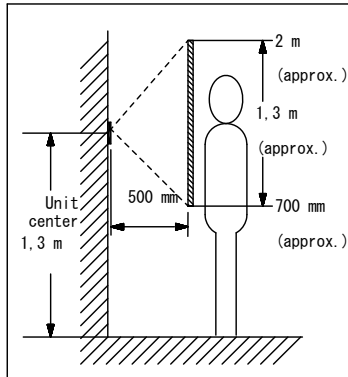
● Wide

Vertical

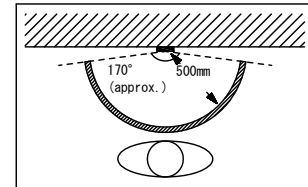
Mounting height 1,500mm (5')



Mounting height 1,300mm (4' 3")



Horizontal

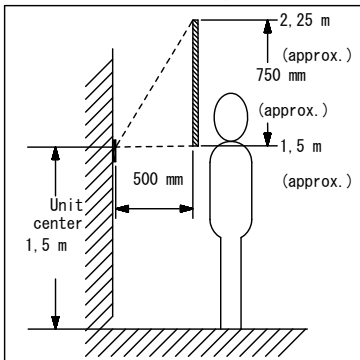


- ◆ An area over a range of approx. 170° in a 500mm (20") radius from the camera displays. (The display range is a rough estimation and may change due to the installation environment.)

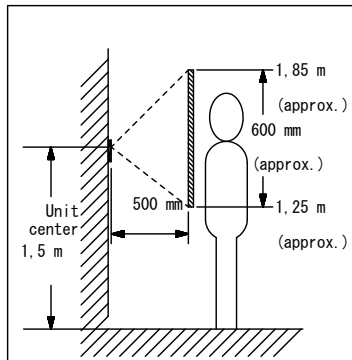
● Zoom (Mounting height: 1,5 m)

Vertical

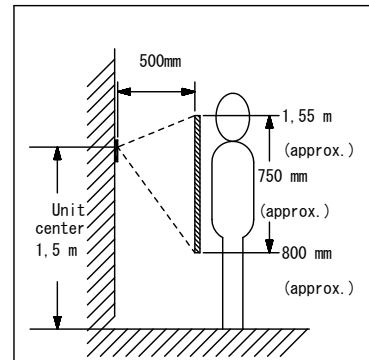
Zoom <top>



Zoom <center>

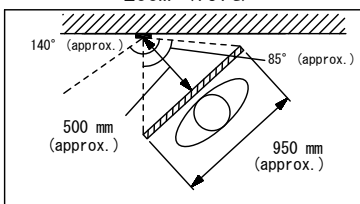


Zoom <bottom>

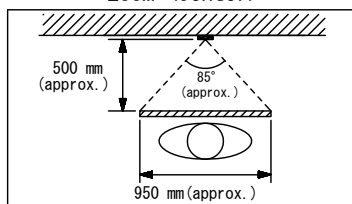


Horizontal

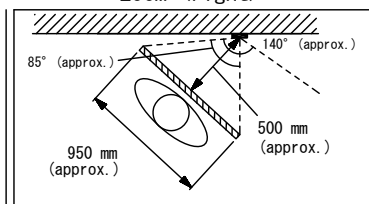
Zoom <left>



Zoom <center>



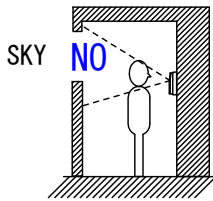
Zoom <right>



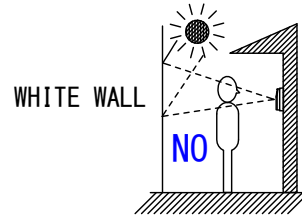
|  |  |             |                         |
|--|--|-------------|-------------------------|
| DESCRIPTION<br><b>VIDEO DOOR STATION (Color)</b> | FIG. NAME<br><b>WIRING DIAGRAM/IMAGE</b> | UNIT<br>mm  | DATE<br>6 October, 2014 |
| MODEL NO.<br><b>JP-DA</b>                        | FIG. NO.<br>59723-2-3                    | PAGE<br>2/3 | REVISION<br>1           |
|  |  |             | <b>AIPHONE</b>          |

## ■ RESTRICTIONS

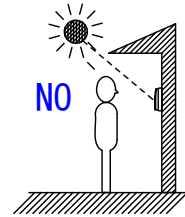
- Do not cover the water escape holes with caulking seals.
- JP-DA door station is exclusively used with JP Series.
- Avoid to install JP-DA in the following locations;



At the Entrance where background is sky in upper floors of Condominiums, etc.



The background of the standing caller's is white wall.



Where the standing location is strongly sunlit.

## ■ FUNCTIONS

- Initiating a call to and entering communication with Master station

|  |  |             |                         |
|--|--|-------------|-------------------------|
| DESCRIPTION<br><b>VIDEO DOOR STATION (Color)</b> | FIG. NAME<br><b>RESTRICTIONS/FUNCTIONS</b> | UNIT<br>mm  | DATE<br>6 October, 2014 |
| MODEL NO.<br><b>JP-DA</b>                        | FIG. NO.<br>59723-3-3                      | PAGE<br>3/3 | REVISION<br>1           |
|  |  |             | <b>AIPHONE</b>          |