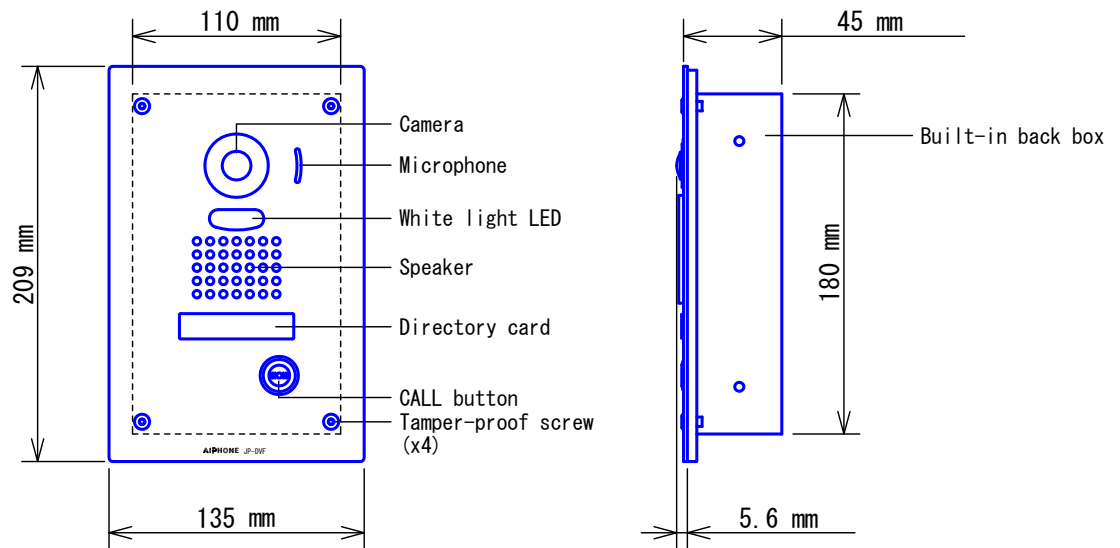
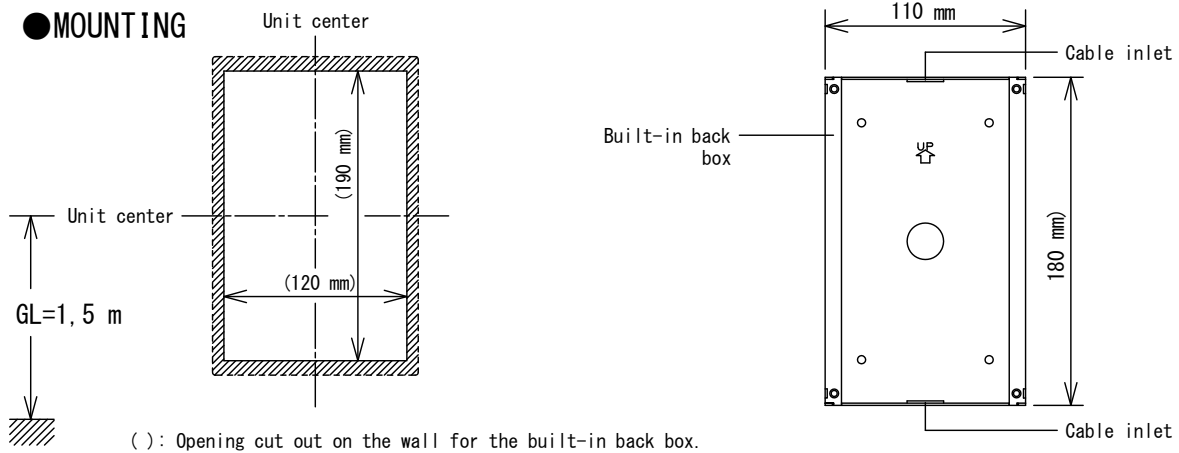


■ PRODUCT DRAWING



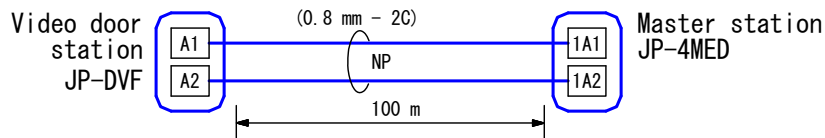
● MOUNTING



■ SPECIFICATIONS

Power source	Supplied from Master station			
Type of communication	Open voice hands-free communication			
Camera	1/4 inch color CMOS			
Minimum illumination	5 Lux			
Camera angle	Wide: 170° (approx.) (Horizontal)			
Ambient temperature	-10~ 60°C			
Mounting	Flush mount			
Electrical box	Not used (Mounts on built-in back box.)			
Housing	Front panel: Stainless steel.			
Weight	570g (approx.), back box 450g (approx.)			
Unit color	Stainless steel, vertical hair-line processed.			
IP rating	IP54			
IK rating	IK08			
DESCRIPTION VIDEO DOOR STATION (Color, Vandal-resistant)	FIG. NAME PRODUCT/SPECIFICATIONS	UNIT mm	DATE 6 October, 2014	
MODEL NO. JP-DVF	FIG. NO. 59745-1-3	PAGE 1/3	REVISION 1	AIPHONE

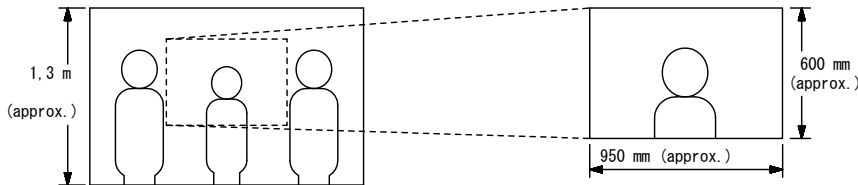
■ WIRING DIAGRAM



■ IMAGE VIEW AREA & MOUNTING HEIGHT

● Wide

● Zoom

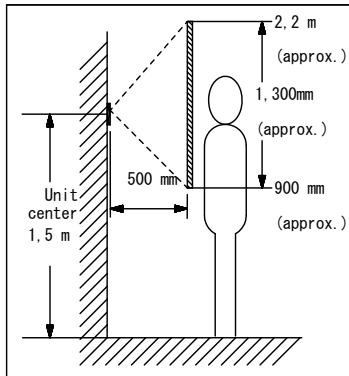


- Objects appear smaller due to greater distortion in the surrounding sections compared to the central section, but a wider area is displayed.
- Image view area depends on the camera zoom position.

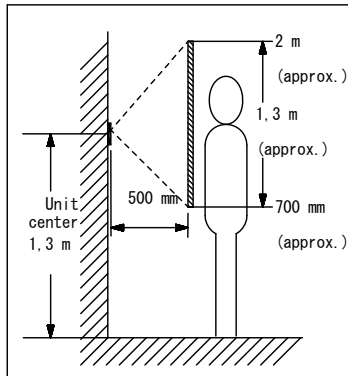
● Wide

Vertical

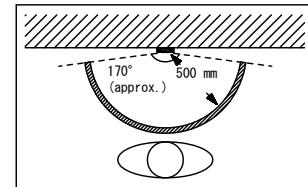
Mounting height 1.5 m



Mounting height 1.3 m



Horizontal

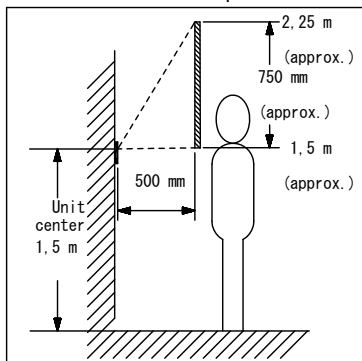


- ◆ An area over a range of approx. 170° in a 500 mm radius from the camera displays. (The display range is a rough estimation and may change due to the installation environment.)

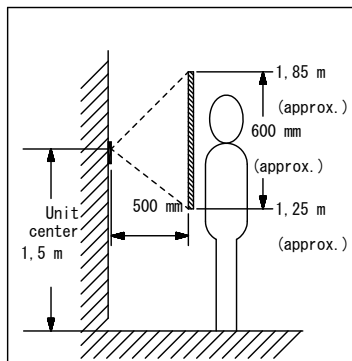
● Zoom (Mounting height: 1.5 m)

Vertical

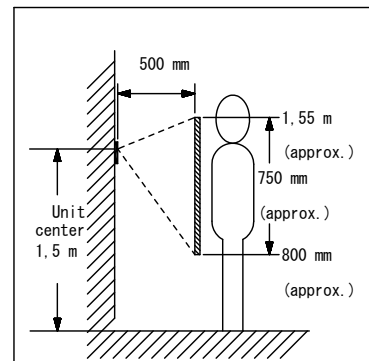
Zoom <top>



Zoom <center>

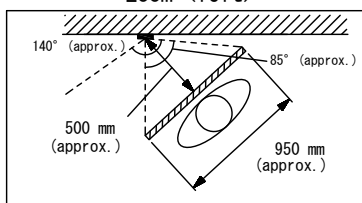


Zoom <bottom>

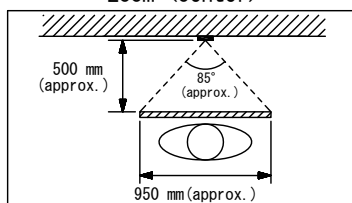


Horizontal

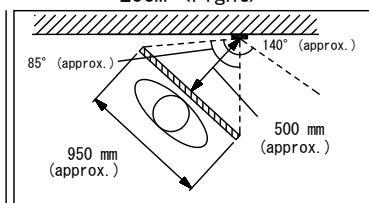
Zoom <left>



Zoom <center>



Zoom <right>

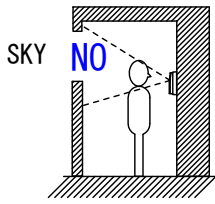


DESCRIPTION VIDEO DOOR STATION	(Color, Vandal-resistant)	FIG. NAME WIRING DIAGRAM/IMAGE	UNIT mm	DATE 6 October, 2014
MODEL NO. JP-DVF		FIG. NO. 59745-2-3	PAGE 2/3	REVISION 1

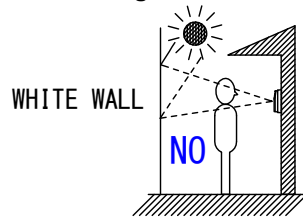
AIPHONE

■ RESTRICTIONS

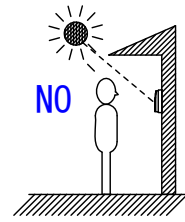
- JP-DVF door station is exclusively used with JP Series.
- Avoid to install JP-DVF in the following locations;



At the Entrance where background is sky in upper floors of Condominiums, etc.



The background of the standing caller's is white wall.



Where the standing location is strongly sunlit.

■ FUNCTIONS

- Initiating a call to and entering communication with Master station

DESCRIPTION VIDEO DOOR STATION	(Color, Vandal-resistant)	FIG. NAME RESTRICTIONS/FUNCTIONS	UNIT mm	DATE 6 October, 2014
MODEL NO. JP-DVF		FIG. NO. 59745-3-3	PAGE 3/3	REVISION 1
				AIPHONE