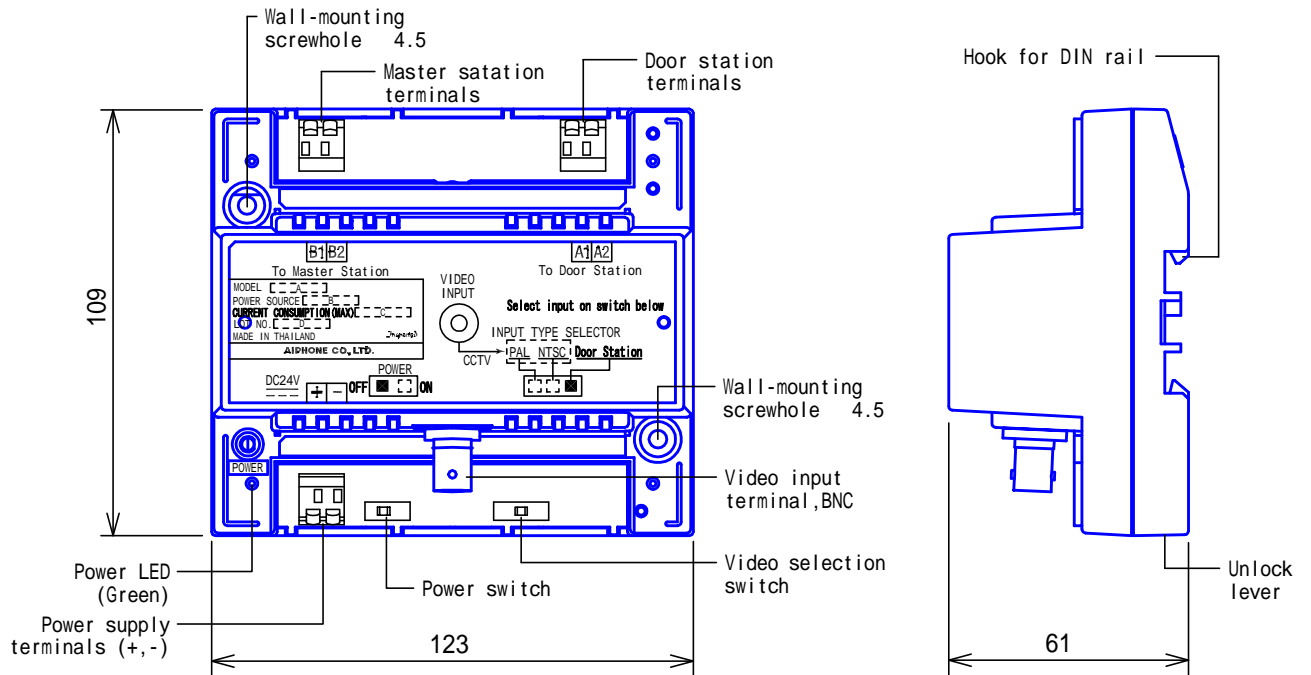
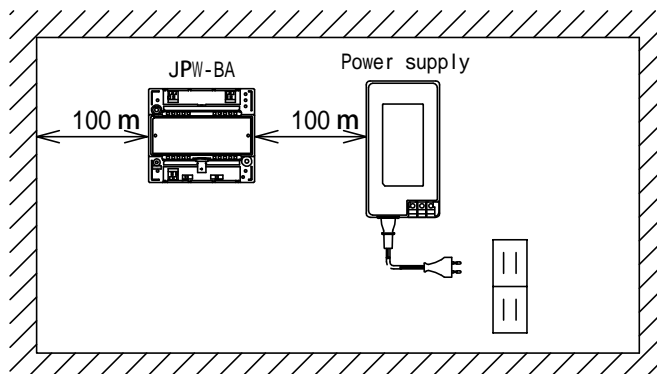


PRODUCT DRAWING



MOUNTING

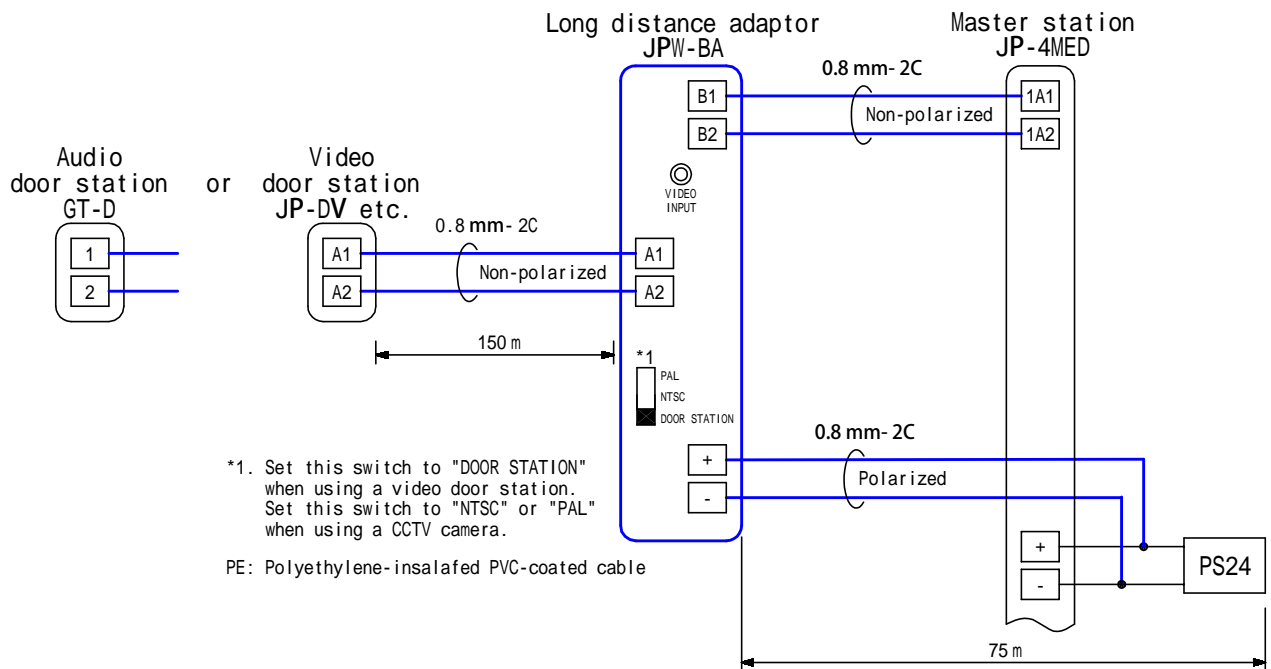


Locate JPW-BA together with Power supply inside an Enclosure box or other protected for limited access.

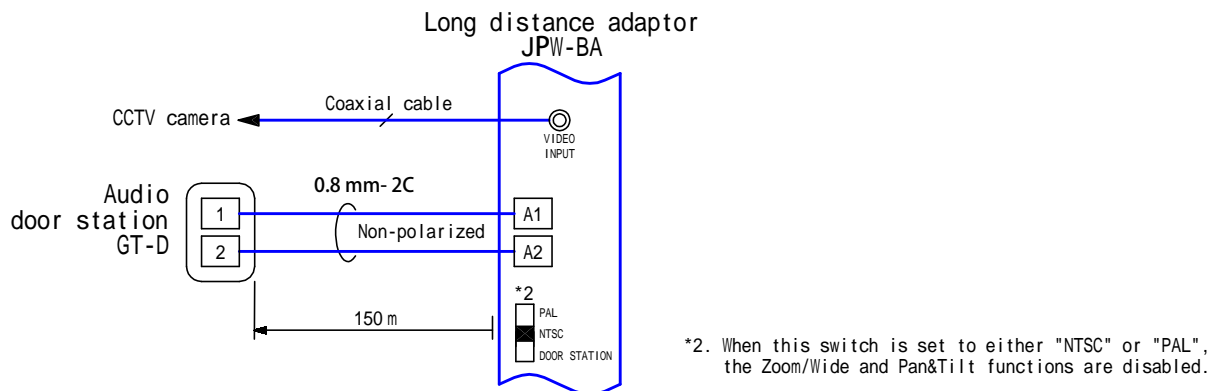
SPECIFICATIONS

Power source	24V DC. Supplied from Power supply (JP system or separate).		
Current consumption	90mA (max.)		
Wiring distance	0.65	1.0	
JPW-BA - Door station	100m	200m	
JPW-BA - Master station	50m	100m	
JPW-BA - power supply	50m	100m	
Mounting	Surface wall mounting or DIN rail (W-DIN11).		
Housing	Fire-retardant ABS plastic.		
Weight	Approx.200g		
Unit color	Gray (5Y8/1 Munsell Approximation)		
Remarks	Used for; JP-4MED		
DESCRIPTION LONG DISTANCE ADAPTOR (JP series)	FIG. NAME PRODUCT/SPECIFICATIONS	UNIT mm	DATE 20 September, 2012
MODEL NO. JPW-BA	FIG.NO. J59068-1-2	PAGE 1/2	REVISION 1 AIPHONE

WIRING DIAGRAM



- Connecting a CCTV camera and an audio door station in place of a video door station



RESTRICTIONS

JPW-BA is compatible only with JP series.

When a single Power supply is used for both Master station and JMW-BA, do not common connecting wires.

Power supply for JPW-BA shall be for the same DC 24V voltage as for Master station.

FUNCTIONS

Enabling a Video door station to be installed max. 300m away from (Sub) Master station.

DESCRIPTION LONG DISTANCE ADAPTOR (JP series)	FIG. NAME WIRING/RESTR./FCN.	UNIT mm	DATE 20 September, 2012
MODEL NO. JPW-BA	FIG.NO. J59068-2-2	PAGE 2/2	REVISION 1 AIPHONE