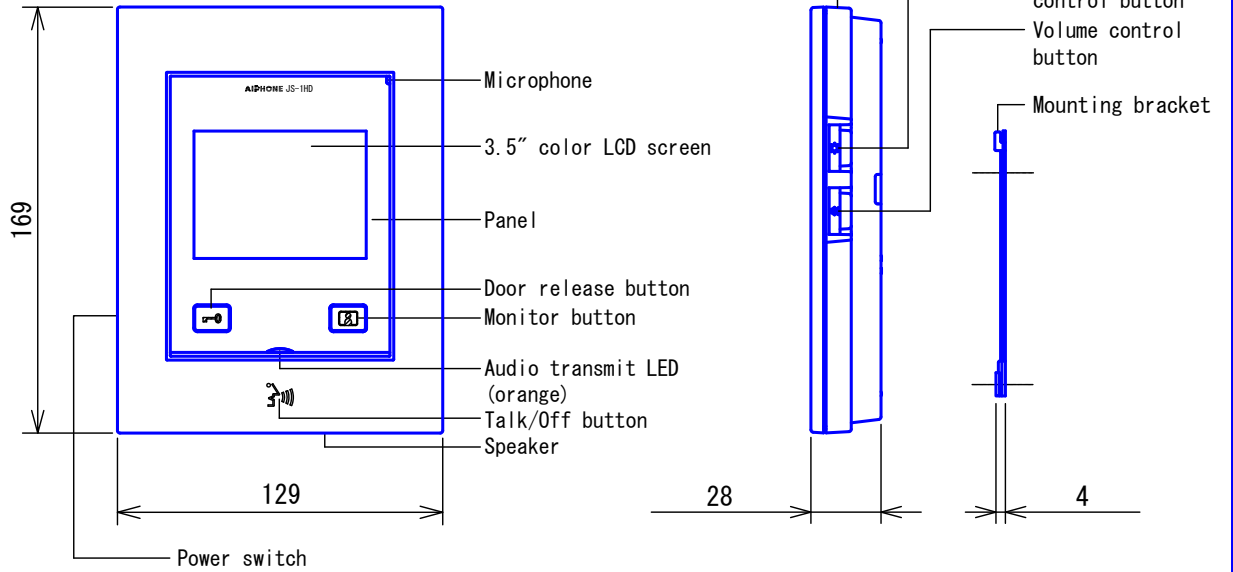
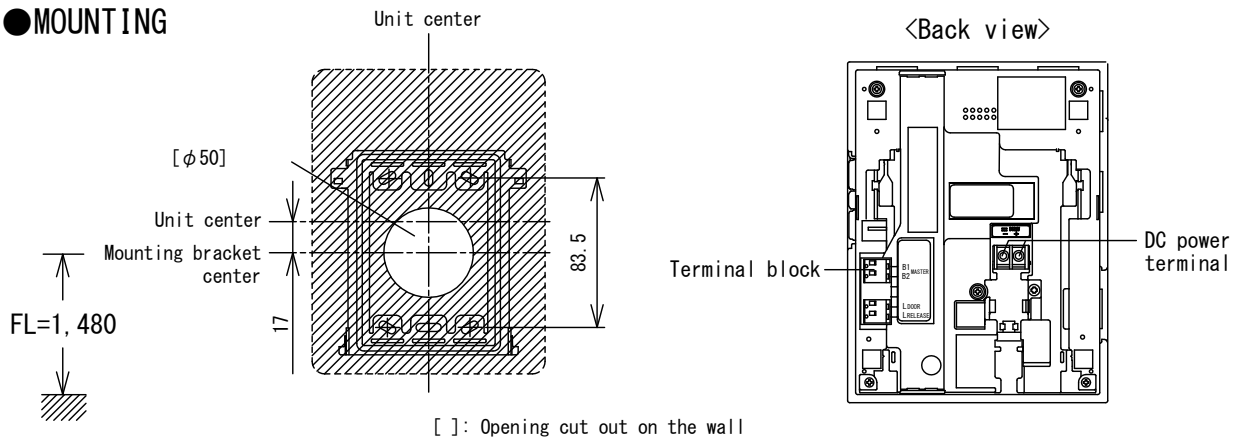


PRODUCT DRAWING



MOUNTING



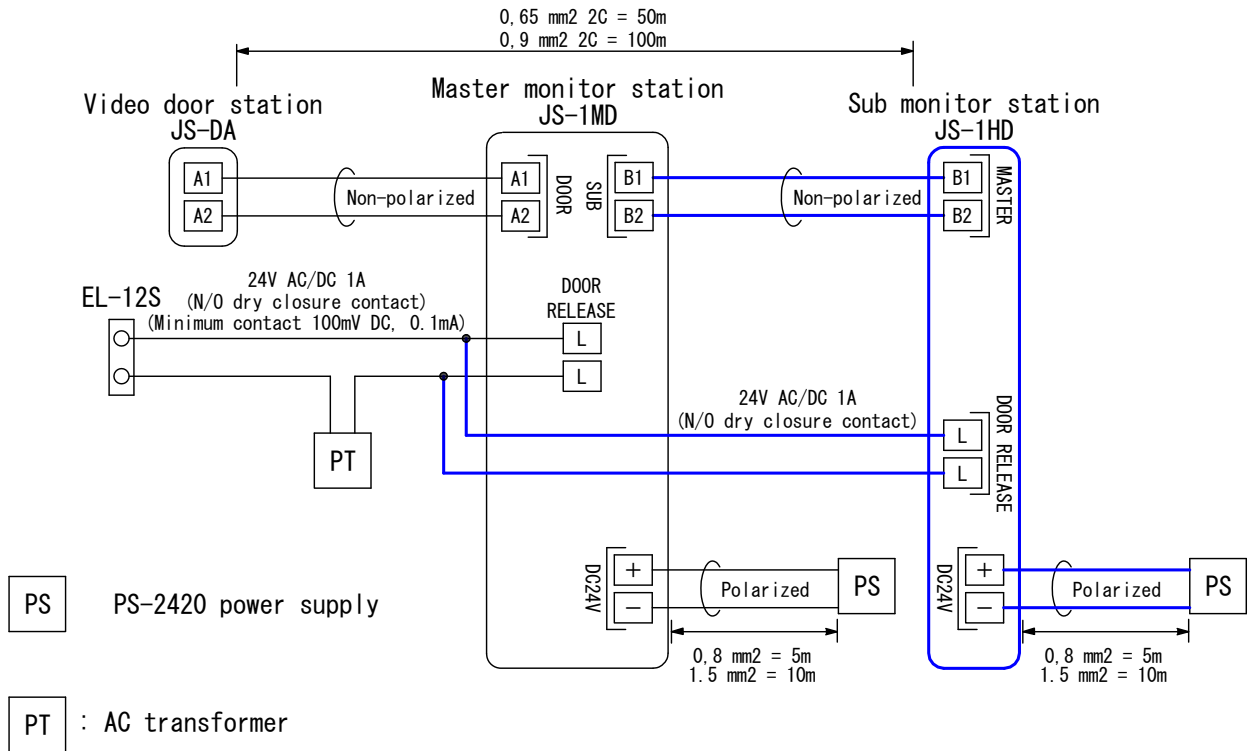
SPECIFICATIONS

Power source	24V DC, Supplied from a power supply
Current consumption	Max.115mA
Screen	3.5 inch TFT color LCD screen
Pixels	230,000 pixels
Type of communication	Open voice hands-free auto-voice actuation or Press-to-talk communication
Ambient temperature	0 - 40°C
Door release contact	24V AC/DC, 1A (N/O dry closure contact)
Call tone	4-tone chime
Mounting	Surface wall mount
Material	Unit case: Self-extinguishing PC + ABS resin
	Panel: Fire-retardant plastic
Weight	Approx. 310g
Unit color	Snow white (5Y9.3/0.1 Munsell Approximation)

DESCRIPTION	FIG. NAME	UNIT	DATE
SUB MONITOR STATION	PRODUCT DRAWING/SPEC.	mm	5 September, 2019
MODEL NO.	FIG. NO.	PAGE	REVISION
JS-1HD	J57959-1-3	1/3	1

AIPHONE

■ WIRING DIAGRAM



■ RESTRICTIONS ON WIRING

- For wiring, it is recommended to use a single PVC jacketed cable with PE (polyethylene) insulation. The following cables can not be used:
 - Coaxial cable
 - Individual conductors
 - Twisted pair cable
 - Cable with conductors in odd number
- Keep the intercom wires more than 30cm away from AC power lines, otherwise communication noise or malfunction may occur. When using an existing cable run, the system may not work properly. In this case, it will be necessary to install new cable.



■ RESTRICTIONS ON OPERATING

- Due to hands-free VOX communication, smooth voice switching may be affected by voice volume or ambient noise, etc
- Room-to-room communication is not available.
- When the power switch is set to "OFF", the settings of ringtone volume, receive volume, and screen brightness will return to the factory default.
- When JS-1MD master monitor station is reset (e.g. the power is down or the wiring for "A1" and "A2" is a short circuit), the settings of ringtone volume, receive volume, and screen brightness will return to the factory default.

DESCRIPTION SUB MONITOR STATION	FIG. NAME WIRING DIAGRAM/RESTR.	UNIT mm	DATE 5 September, 2019
MODEL NO. JS-1HD	FIG. NO. J57959-2-3	PAGE 2/3	REVISION 1
			AIPHONE

■FUNCTIONS

- Calling door station, call stand-by approx. 45 sec. (White light LED turns on during low-light conditions)
- Communication: Approx. 1 min. timed/End communication by pressing Talk/Off button.
- Audio transmit LED is lit orange while speaking.
- Press-to-talk communication: Press Talk/Off button for approx. 2 sec.
(Audio transmit LED is lit orange while speaking, flashing orange while receiving)
- Activating door strike.
- Monitoring audio/video of door station, approx. 2 min. timed.
(White light LED turns on during low-light conditions)
- Instant voice call with image (Approx. 40 sec.)

■SETTING

- Adjust Call tone volume (Mute - Low - Mid*1 - High)*2 Volume control button
- Adjust Receive volume (Low - Mid*1 - High)*3..... Volume control button
- Adjust Screen brightness (5 levels, Default level 3)..... Screen brightness control button

*1. Default setting

*2. When Mute is set, Instant voice call is not available.

*3. Instant voice call is also adjusted.

DESCRIPTION SUB MONITOR STATION	FIG. NAME FUNCTIONS/SETTING	UNIT mm	DATE 5 September, 2019
MODEL NO. JS-1HD	FIG. NO. J57959-3-3	PAGE 3/3	REVISION 1
			AIPHONE