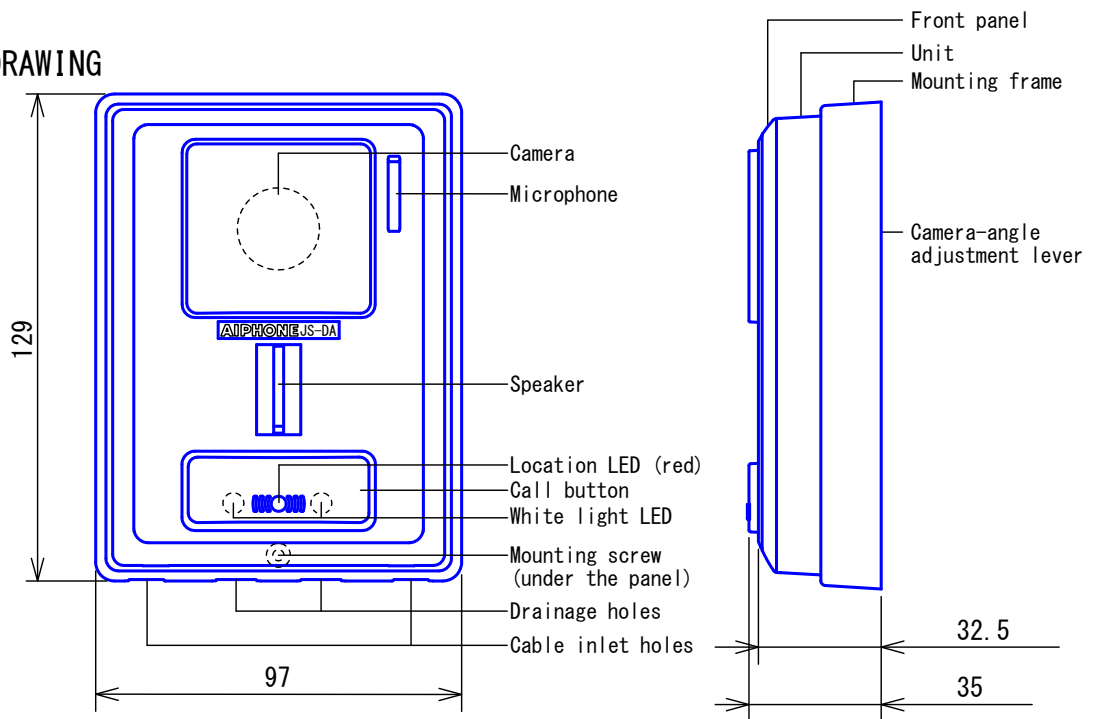
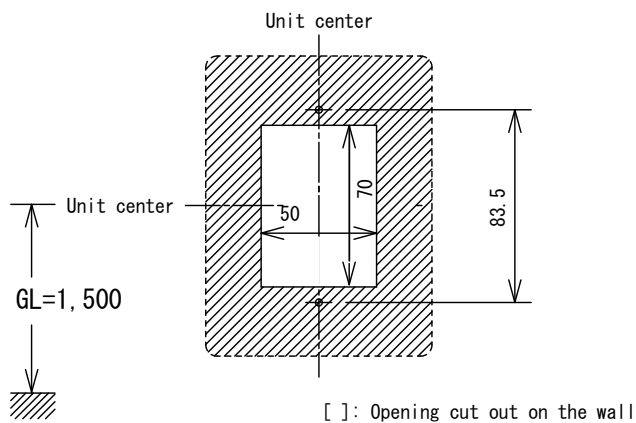


PRODUCT DRAWING

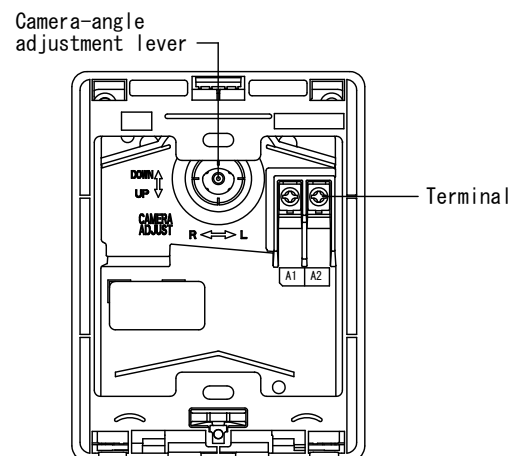


MOUNTING

<Surface wall mounting>



<Back view>



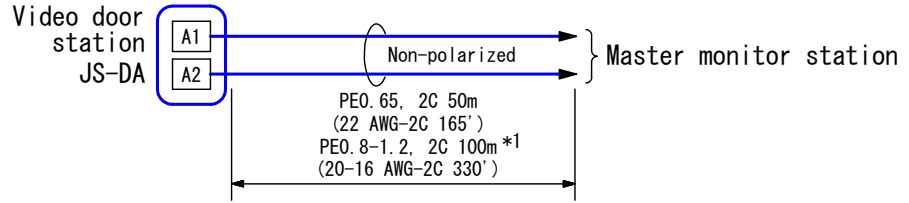
SPECIFICATIONS

Power source	Supplied from Master monitor station
Type of communication	Open voice hands-free communication
Camera	1/5 inch color CMOS
Minimum illumination	Approx. 5 lux
Camera angle adjustment	0° , Left 15° (2-positions), Right 15° (2-positions), Up 15° (2-positions), Down 7° (adjustable diagonal direction)
Ambient temperature	-10 - +60°C
Mounting	Surface wall mount (Directly to wall or electrical box)
Electrical box	Single-gang box
Material	Self-extinguishing PC + ABS resin
Weight	Approx. 200g
Unit color	Clear Black
IP rating	IP54

DESCRIPTION VIDEO DOOR STATION	FIG. NAME PRODUCT DRAWING/SPEC.	UNIT mm	DATE 5 September, 2019
MODEL NO. JS-DA	FIG. NO. JS-DA-1-3	PAGE 1/3	REVISION 1

AIPHONE

■ WIRING DIAGRAM

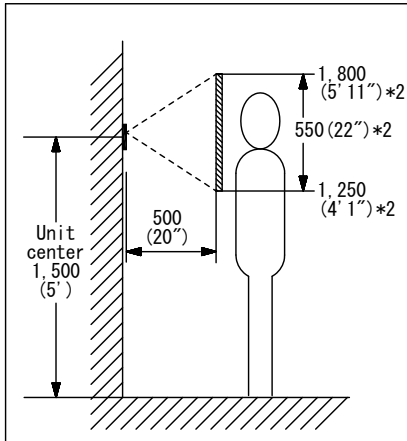


*1. When connecting sub monitor station, the maximum wiring distance between video door station and sub monitor station is 100m(330').

■ IMAGE VIEW AREA & MOUNTING HEIGHT

Vertical

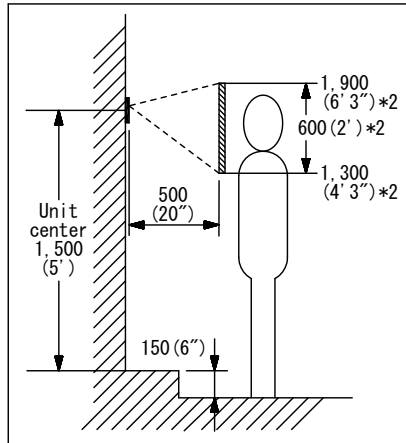
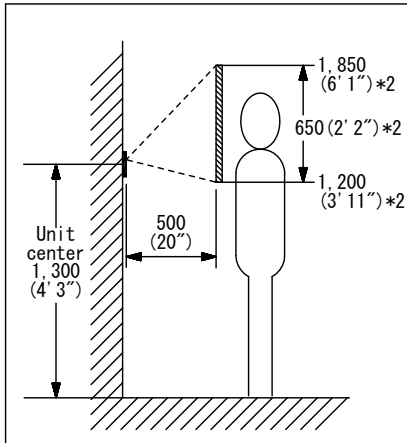
Camera angle: 0°



Camera angle: -7°

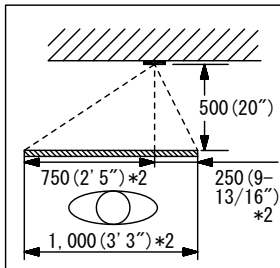
(When the station is at a high position due to a step)

Camera angle: +15°

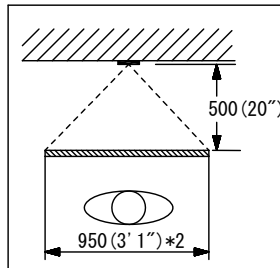


Horizontal

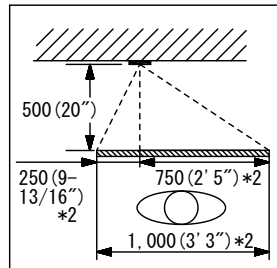
Camera angle: Left 15°



Camera angle: 0°



Camera angle: Right 15°

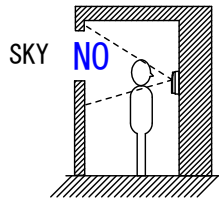


*2. The figures are approximate.

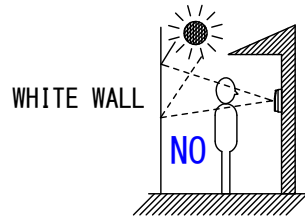
DESCRIPTION VIDEO DOOR STATION	FIG. NAME WIRING DIAGRAM/ IMAGE VIEW AREA & MOUNTING HEIGHT	UNIT mm	DATE 5 September, 2019
MODEL NO. JS-DA	FIG. NO. JS-DA-2-3	PAGE 2/3	REVISION 1
			AIPHONE

■ RESTRICTIONS

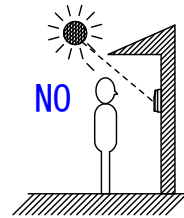
- JS-DA door station should be mounting vertically.
- Do not cover the drainage holes with caulk.
- JS-DA door station is exclusively used for JS Series.
- JS-DA is mountable on each Angle box: KAW-D.
- Avoid installing JS-DA door station in the following locations:



At the entrance where background is sky in upper floors of building, etc.



The background of the caller is a white wall.



Where the location is strongly sunlit.

■ FUNCTIONS

- Initiating a call to and entering communication with Master monitor station or Sub monitor station.
- Location LED is steadily lit while the Master monitor station is in powered status.
- White light LED turns on during low-light conditions when Call button pressed, monitoring, and talking status.

DESCRIPTION VIDEO DOOR STATION	FIG. NAME RESTRICTIONS/FUNCTIONS	UNIT mm	DATE 5 September, 2019
MODEL NO. JS-DA	FIG. NO. JS-DA-3-3	PAGE 3/3	REVISION 1
			AIPHONE