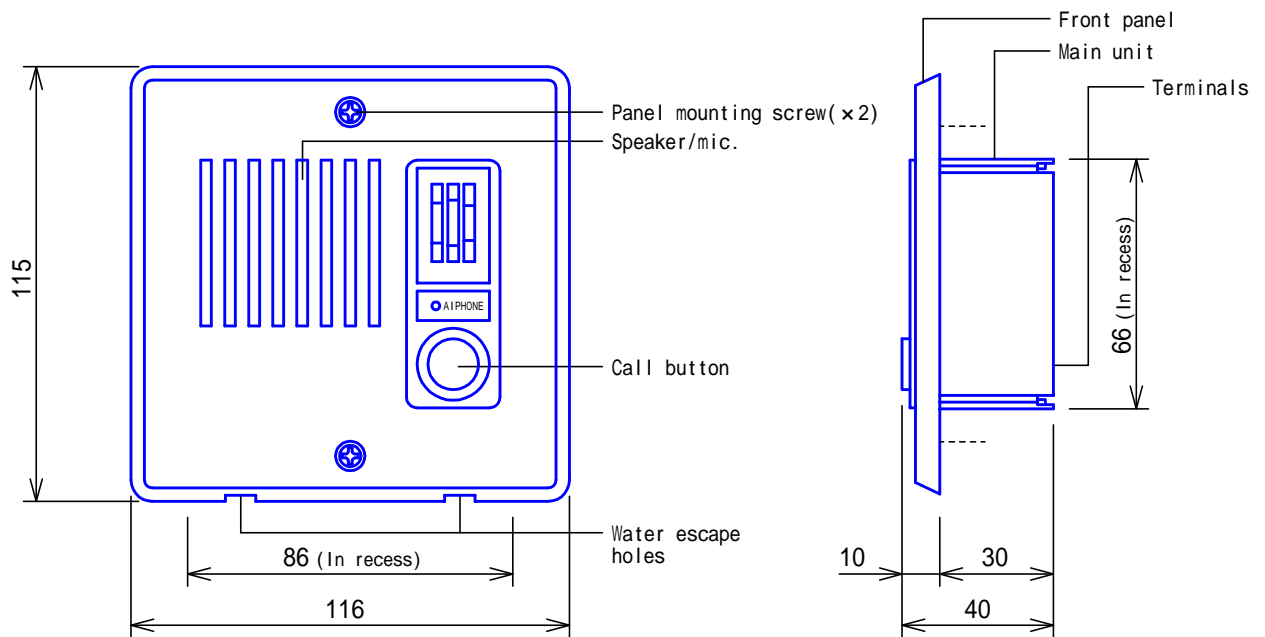
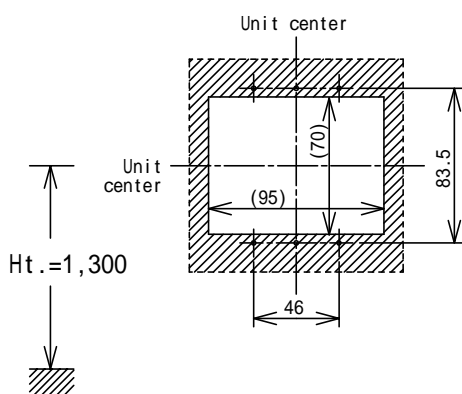


PRODUCT DRAWING



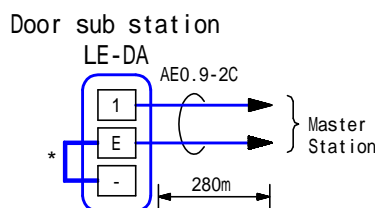
WIRING DIAGRAM

MOUNTING



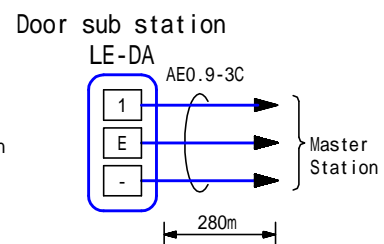
95(W) x 70(H): Opening cut out on the wall.

Single-master system



* Do not remove a shorting link.

Intermix system



RESTRICTIONS

LE-DA is compatible with LEM or LEF Series Intercoms only.
Do not cover the water escape holes on bottom with caulking seals, etc.

FUNCTIONS

Calling the Master station by pressing CALL button and handsfree communication after Master station replies.

SPECIFICATIONS

Power source	Supplied from Master station
Type of communication	Open voice handsfree communication (controlled by Master)
Call tone	Electronic Beep tone and voice (from Master). Electronic Beep tone only (to Master with a Sub call-in LED lit).
Mounting	Flush-mount
Electrical box	Two-gang box
Housing	Panel: Stainless steel. Main unit : Resins.
Weight	Approx. 210g
Unit color	Stainless steel vertical hair line finish
Remarks	Weather-resistant (JIS C 0920 Protection Grade 3 equivalent)

DESCRIPTION	FIG. NAME	UNIT	DATE
SUB STATION(door)	PRODUCT/SPEC./WIRING/RESTR./FCN.	mm	22 October, 2004
MODEL NO.	FIG.NO.	PAGE	REVISION
LE-DA	12494301-1-1	1/1	1

AIPHONE