

# WIRELESS VIDEO INTERCOM SET WL-11. E2

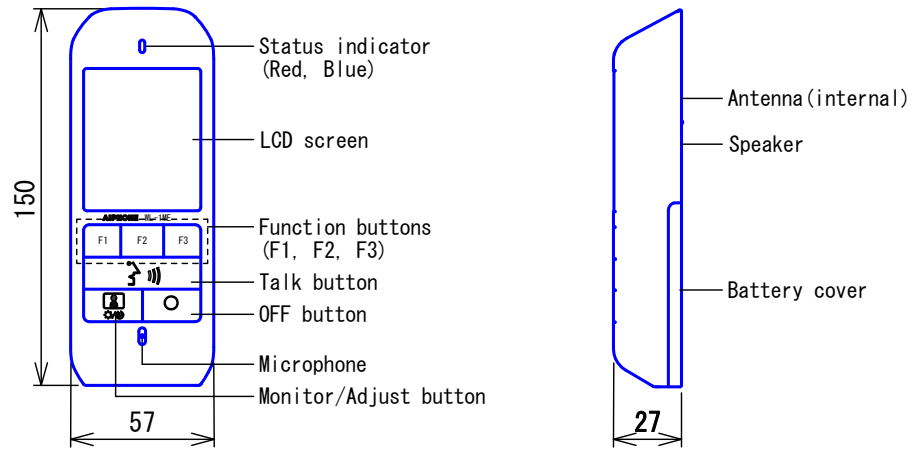
Kit box contents;

DESCRIPTION	MODEL NO.	UNIT
Wireless master monitor station	WL-1ME. E2	1 unit
Charging stand	WLW-C. E	1 unit
Power supply adaptor	BLJ06W050040P2-U	1 unit
Wireless video door station	WL-DA. E2	1 unit

DESCRIPTION WIRELESS VIDEO INTERCOM SET	FIG. NAME KIT BOX CONTENTS	UNIT mm	DATE 5 July, 2019
MODEL NO. WL-11. E2	FIG. NO. W28880-1-9	PAGE 1/9	REVISION 1
			<b>AIPHONE</b>

■ PRODUCT DRAWING

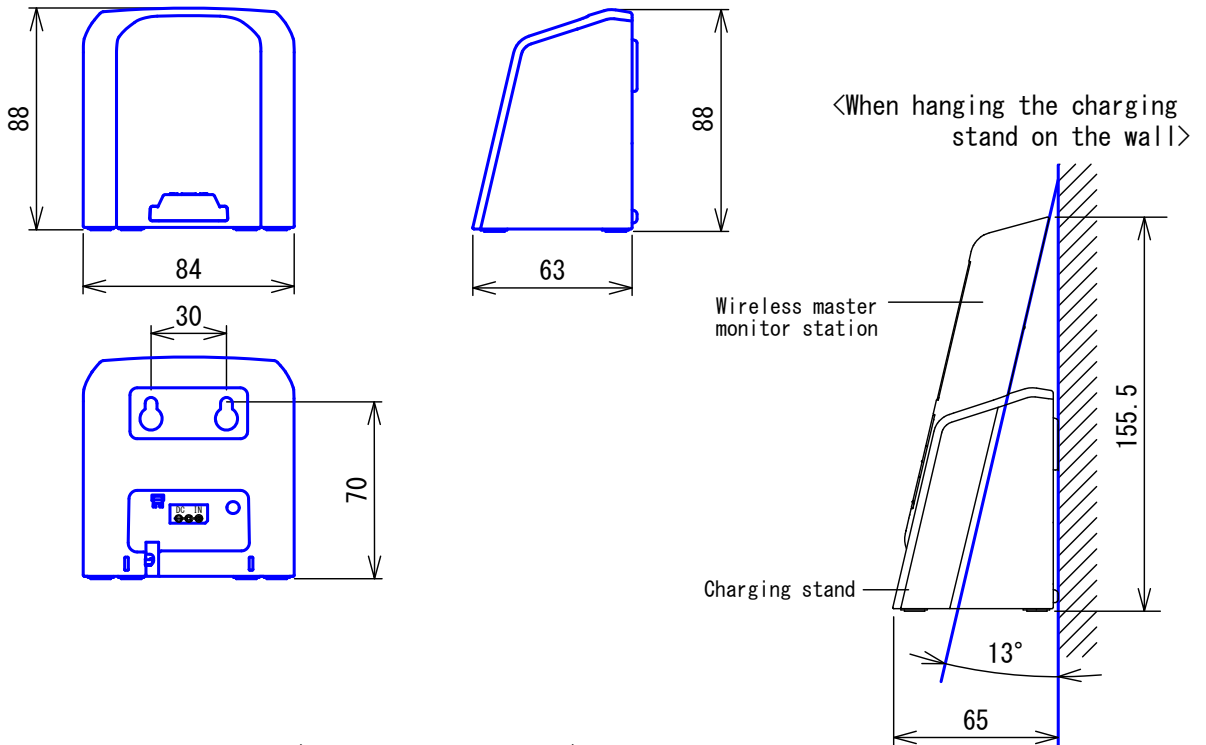
● Wireless master monitor station (WL-1ME. E2)



■ SPECIFICATIONS

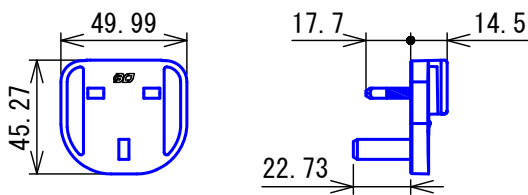
Power source	Build-in Ni-MH battery (AIPHONE WLW-BT. E) 2.4V DC (2000mAh)		
Wireless type	DECT		
Display	2.4 inch TFT color LCD monitor (240 x 320pixels)		
Operation temperature	0 to 40° C (32 to 104° F)		
Dimensions	57 (W) x150 (H) x27 (D)mm		
RF Transmission Frequency Range	1880 - 1900MHz		
RF Transmission Power	+24dBm (Max)		
DESCRIPTION WIRELESS MASTER MONITOR STATION WL-1ME. E2	FIG. NAME <b>PRODUCT DRAWING/ SPEC.</b>	UNIT mm	DATE 5 July, 2019
MODEL NO. <b>WL-11. E2</b>	FIG. NO. W28880-2-9	PAGE 2/9	REVISION 1
			<b>AIPHONE</b>

● Charging stand (WLW-C. E)

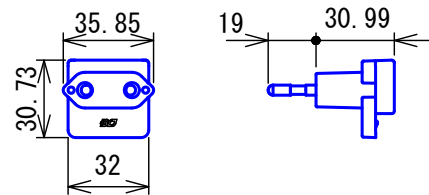


● Power supply adaptor (BLJ06W050040P2-U)

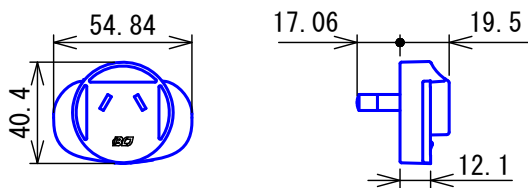
▪ Plug adaptor BF



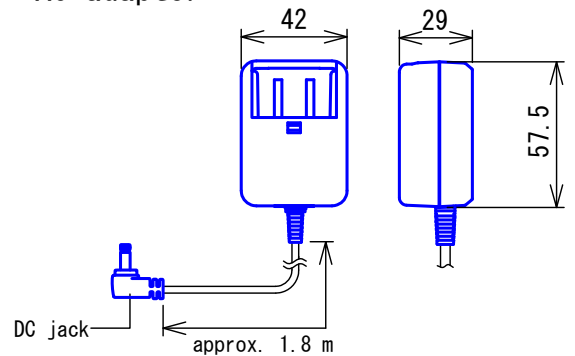
▪ Plug adaptor C



▪ Plug adaptor O



▪ AC adaptor



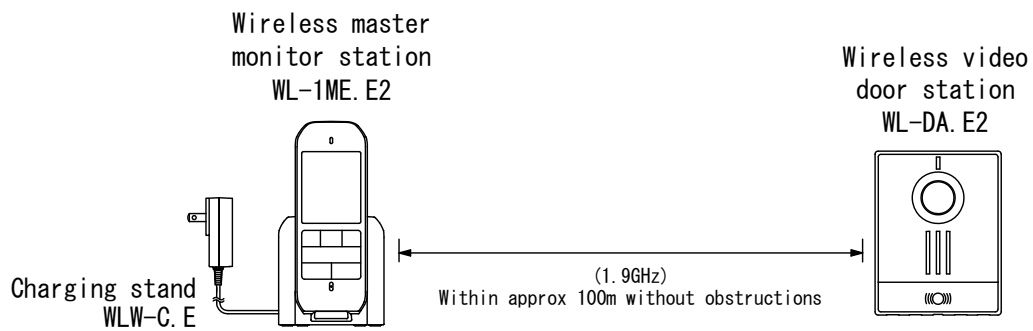
■ SPECIFICATIONS

Power source	100V - 240V AC 50/60Hz
Power consumption	2.4W (Max)
Operation temperature	0 to 40° C (32 to 104° F)
Dimensions	84 (W) x 88 (H) x 63 (D) mm
Available AC plug type	BF-type (UK), C-type (EU), O-type (Australia and New Zealand)

DESCRIPTION CHARGING STAND WLW-C. E POWER SUPPLY ADAPTOR BLJ06W050040P2-U	FIG. NAME <b>PRODUCT DRAWING/ SPEC.</b>	UNIT mm	DATE 5 July, 2019
MODEL NO. <b>WL-11. E2</b>	FIG. NO. W28880-3-9	PAGE 3/9	REVISION 1

**AIPHONE**

## ■ COMMUNICATION OF MASTER STATION AND DOOR STATION



## ■ RESTRICTIONS ON OPERATING

- Due to hands-free auto-voice actuation system, smooth voice switching may be hindered by voice strength of the opponent or ambient noise, etc.
- It takes about 6 seconds to display the image on a master station from pressing call button on a door station.
- When system is out of range during operation, the operation ends.
- When a master station in operation is placed on a charging stand, standby screen is displayed as end button is pressed.
- Mater station cannot receive a call and video while it is being called.
- If four or more systems are used at the same time, they may not be usable due to radio interference.

DESCRIPTION WIRELESS MASTER MONITOR STATION WL-1ME. E2	FIG. NAME COMMUNICATION/ RESTRICTIONS	UNIT mm	DATE 5 July, 2019
MODEL NO. WL-11. E2	FIG. NO. W28880-4-9	PAGE 4/9	REVISION 1
			<b>AIPHONE</b>

## ■ ABOUT WIRELESS LAN COMMUNICATION

- Depending on the hearing aid, noise might occur in voice communication.
- Audio might be interrupted or experience noise during speaking while moving or when an automobile or motorcycle passes close by.
- If any obstructions described below are present in the space between the door station and the master monitor station, the radio waves can be blocked and become extremely weak. For this reason, even when the distance to the door station is not far, audio corruption or audio drop-out, corrupted pictures, slow video, or inability to communicate might occur.
  - Metal doors or storm doors
  - Walls containing insulating material with an aluminum-foil lining
  - Concrete or galvanized sheet-steel walls
  - Large number of walls or other obstructions, even within a wooden structure  
(When using a mobile device in a room different from the room in which the master monitor station is installed or on another floor.)
- This product uses digital signals that are difficult to monitor, but because radio waves are used, there are cases in which a third-party could intercept signals intentionally.

### Important Notes

- Use within range of reception.

## ■ ABOUT WIRELESS LAN INTERFERENCE

- Do not install in the following locations
  - Near televisions, radios, personal computers, and other office devices, air conditioners, water heater remote controls (with intercom functions), and home security related equipment (cause noise)
- Within about 3 m of other wireless devices (cause electromagnetic interference)
- Charging stand of the master station
  - Do not place near an AM radio (causes static on the AM radio.)
  - Do not place near televisions, speakers, and other items that generate electromagnetic waves or magnetism (Charging may not be possible.)

### [IMPORTANT NOTES ABOUT THE WIRELESS LAN]

- Before using the master monitor station, check to make sure that no indoor wireless communication stations for motion detection or designated low-power wireless communication stations are in use in the vicinity.
  - In the event that incidents of harmful radio-wave interference from the master monitor station are experienced by a wireless communication station for motion detection, take action to ensure no mutual interference, such as installing partitions to avoid interference or relocating the equipment.

When signal strength is weak, move to a location with strong signal strength.

DESCRIPTION WIRELESS MASTER MONITOR STATION WL-1ME. E2	FIG. NAME ABOUT WIRELESS LAN COMMUNICATION / ABOUT WIRELESS LAN INTERFERENCE	UNIT mm	DATE 5 July, 2019
MODEL NO. WL-11. E2	FIG. NO. W28880-5-9	PAGE 5/9	REVISION 1
			<b>AIPHONE</b>

## ■FUNCTIONS

- Responding to a call from the entrance
- Press Talk button, and speak with Wireless video door station
- When the communication ends, press OFF button
- To adjust backlight, press Monitor/Adjust button
- To switch video screen format of the video door station between normal and wide, press F3 button
- To display position of the normal screen can be switched and changed, press F2 button, changing a moved display position to the initial display position, press F3 button
- To check recorded images, press F1 button
- To monitor conditions outside, press Monitor/Adjust button
- Press-to-Talk (Press and hold Talk button for two seconds)

<Recording image of the entrance>

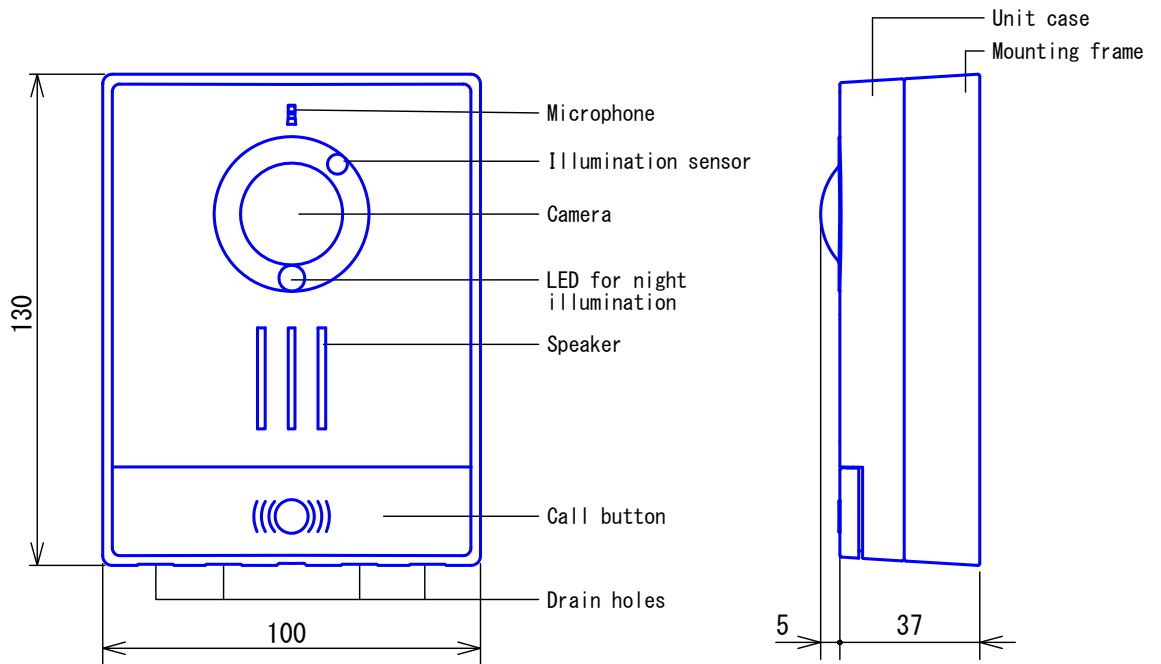
- When a call is received from the video door station, automatic image recording(Three images will be recorded by as one recording)
- Screen video can be recorded during placing a call, communication, and monitoring from the video door station (One image is recorded by one recording action)
- Up to 100 recordings can be saved for automatic and manual image recording
- Playing recordings/ Lock recordings(Up to 20 recordings)/ Deleting all recordings/ Deleting a single recording

## ■SETTING AND ADJUSTMENT

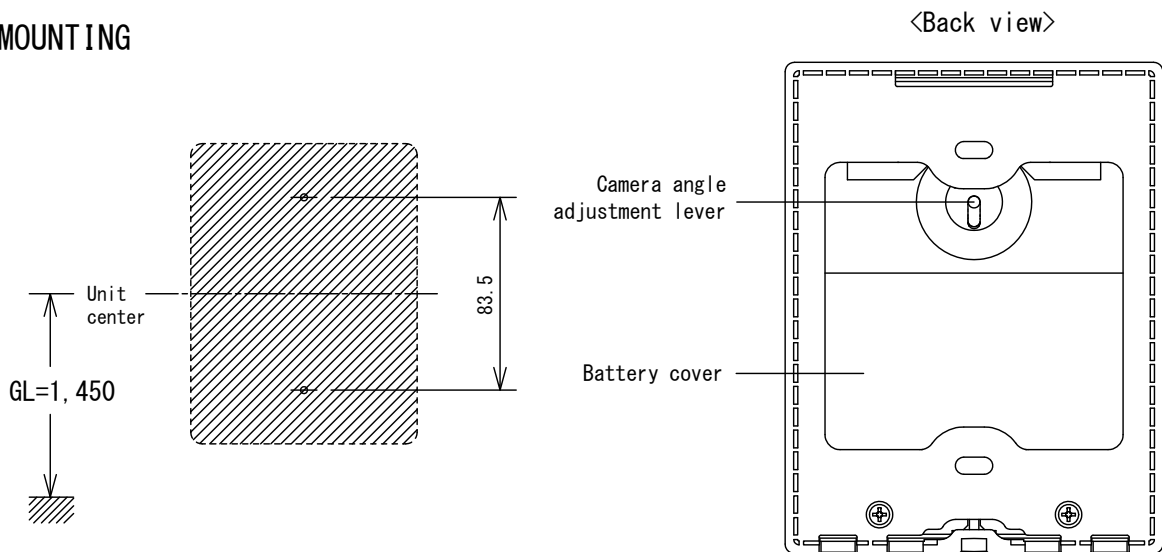
Function	Setting Range	Default
Sound Settings		
Master Station Ringtone Volume	0 through 5	3
Master Station Ringtone	Combination from the 4 instruments and 4 melodies	♪Piano 1
Master Station Speaker Volume	1 through 5	3
Video Door Station Speaker Volume	1 through 5	3
Master Station Button Feedback	Enable/Disable	Enable
Master Station Settings		
Screen Brightness	1 through 5	3
Missed Call LED	Enable/Disable	Enable
Video Door Station Settings		
Night Illumination LED		
During Call/Communication	Enable/Disable	Disable
During Monitoring	Enable/Disable	Disable
Door Monitoring	Enable/Disable	Disable
Date & Time	-	01/Jan/2018 00:00 AM
Other Settings		
Check Video Door Station Battery Level	-	-
Delete All Recorded Images	-	-
Initialize	-	-
Display Mode	Normal/Demonstration	Normal

DESCRIPTION WIRELESS VIDEO DOOR STATION WL-DA. E2	FIG. NAME FUNCTIONS/ SETTING AND ADJUSTMENT	UNIT mm	DATE 5 July, 2019
MODEL NO. WL-11. E2	FIG. NO. W28880-6-9	PAGE 6/9	REVISION 1
			<b>AIPHONE</b>

## ■ PRODUCT DRAWING



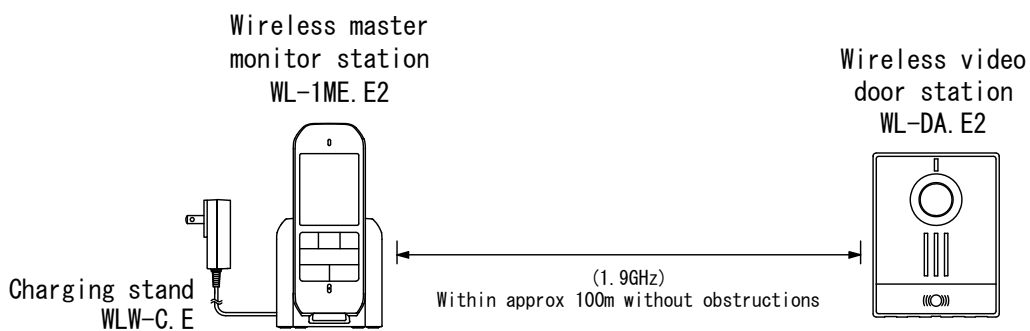
## ● MOUNTING



## ■ SPECIFICATIONS

Power source	6xAA size batteries (Recommended Ni-MH battery with the capacity of 2500mAh or more)		
Operation temperature	-10 to 50° C (14 to 122° F)		
Dimensions	100 (W) x130 (H) x42 (D) mm		
RF Transmission Frequency Range	1880 - 1900MHz		
RF Transmission Power	+24dBm (Max)		
DESCRIPTION WIRELESS VIDEO DOOR STATION WL-DA. E2	FIG. NAME <b>PRODUCT DRAWING/ SPEC.</b>	UNIT mm	DATE 5 July, 2019
MODEL NO. <b>WL-11. E2</b>	FIG. NO. W28880-7-9	PAGE 7/9	REVISION 1
			<b>AIPHONE</b>

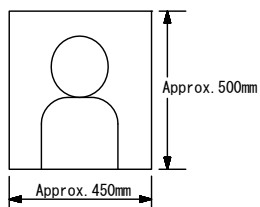
## COMMUNICATION OF MASTER STATION AND DOOR STATION



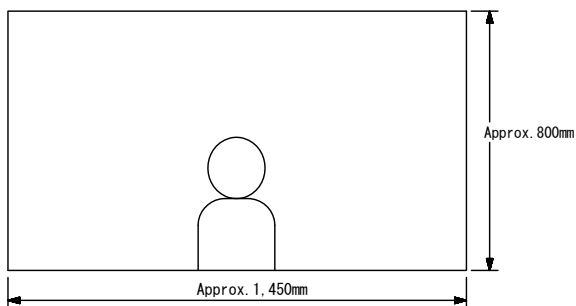
## CAMERA RANGE AND MOUNTING POSITION

● Projection range at 500 mm in front of camera

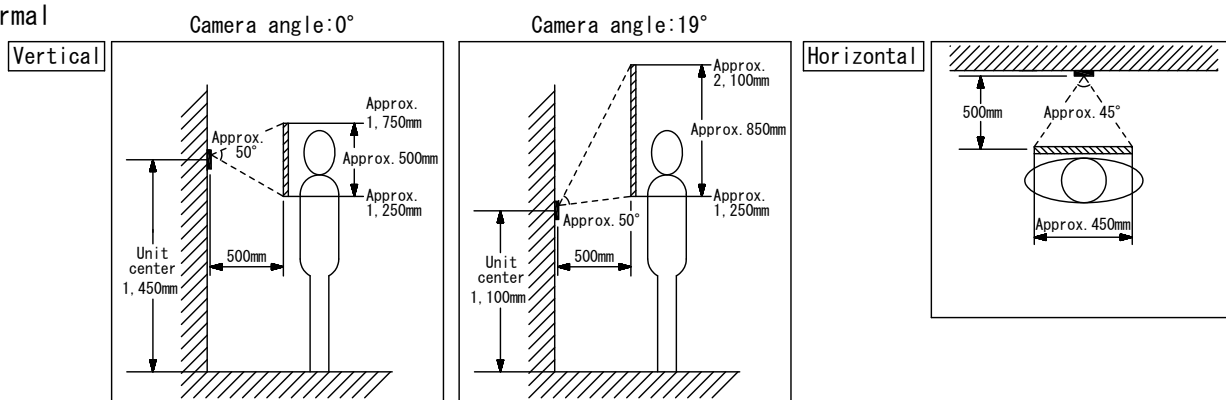
• Normal



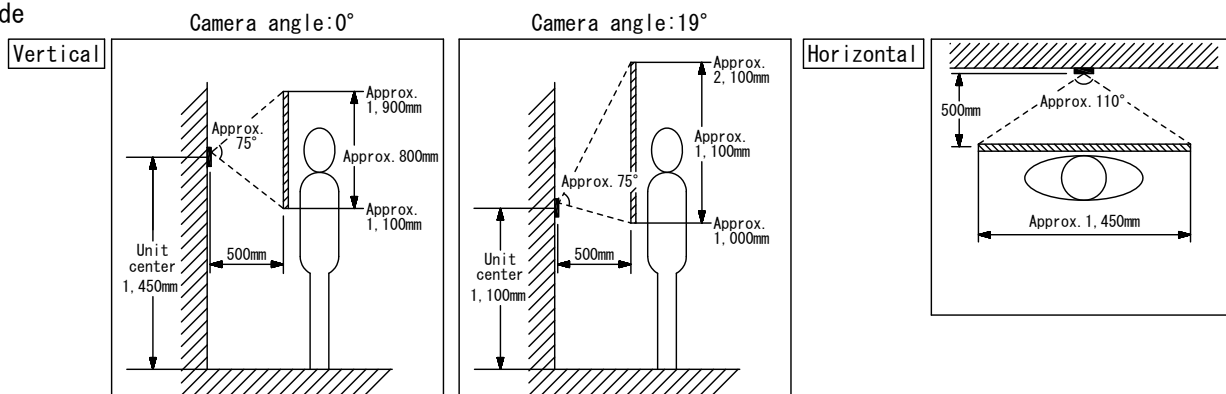
• Wide



● Normal



● Wide

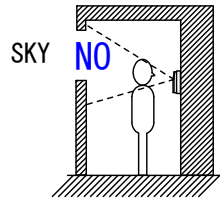


DESCRIPTION WIRELESS VIDEO DOOR STATION WL-DA.E2	FIG. NAME COMMUNICATION / CAMERA RANGE AND MOUNTING POSITION	UNIT mm	DATE 5 July, 2019
MODEL NO. WL-11.E2	FIG. NO. W28880-8-9	PAGE 8/9	REVISION 1
			<b>AIPHONE</b>

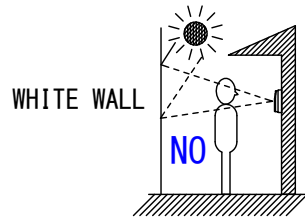


## ■ RESTRICTIONS

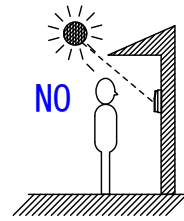
- Do not cover the drainage holes with caulking seals.
- WL-DA video door station is exclusively used for WL-1ME.
- Can not attach to sign post
- Avoid installing WL-DA video door station in the following locations:



Where the sky fills much of the background



Where the background of the subject is white



Where direct sunlight is present

- Door monitoring function is "Enable", the battery power of the video door station is consumed faster.

## ■ FUNCTIONS

- Press the button to place a call to the master station.
- The light will also turn ON when called at night.  
(When night illumination LED function is "Enable" )

DESCRIPTION WIRELESS VIDEO DOOR STATION WL-DA. E2	FIG. NAME RESTRICTIONS / FUNCTIONS	UNIT mm	DATE 5 July, 2019
MODEL NO. WL-11. E2	FIG. NO. W28880-9-9	PAGE 9/9	REVISION 1
			<b>AIPHONE</b>